

Volvo Construction Equipment  
Building Tomorrow



# EC250E, EC300E

Volvo Excavators 24.6-33.9 t 218-245 hp



# A passion for performance

At Volvo Construction Equipment, we're not just coming along for the ride. Developing products and services that raise productivity – we are confident we can lower costs and increase profits for industry experts. Part of the Volvo Group, we are passionate about innovative solutions to help you work smarter – not harder.

## Helping you to do more

Doing more with less is a trademark of Volvo Construction Equipment. High productivity has long been married to low energy consumption, ease of use and durability. When it comes to lowering life-cycle costs, Volvo is in a class of its own.

## Designed to fit your needs

There is a lot riding on creating solutions that are suited to the particular needs of different industry applications. Innovation often involves high technology – but it doesn't always have to. Some of our best ideas have been simple, based on a clear and deep understanding of our customers' working lives.



## You learn a lot in 180 years

Over the years, Volvo has advanced solutions that have revolutionized the use of construction equipment. No other name speaks Safety louder than Volvo. Protecting operators, those around them and minimizing our environmental impact are traditional values that continue to shape our product design philosophy.

## We're on your side

We back the Volvo brand with the best people. Volvo is truly a global enterprise, one that is on standby to support customers quickly and efficiently – wherever they are.

## We have a passion for performance.



Volvo Trucks



Renault Trucks



Mack Trucks



UD Trucks



Volvo Buses



Volvo Construction Equipment



Volvo Penta



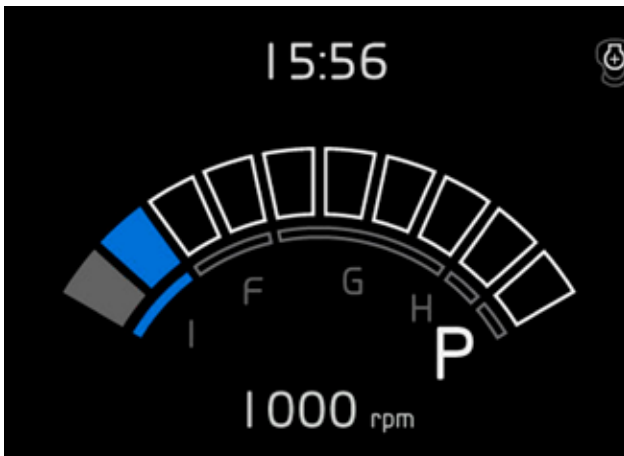
Volvo Financial Services

# Doing more for you

Volvo's EC250E/EC300E Stage V crawler excavators are powerful and efficient machines designed to reduce fuel consumption and increase your productivity. With advanced technology, the machines deliver a significant improvement in fuel efficiency, saving your business time and cost. Put your mind at ease with a Volvo excavator.

## Automatic idling system

Engine speed is reduced to idle when the controls are inactive for a pre-set amount of time (between 3 and 20 seconds), which reduces fuel consumption and noise for nearby workers.



## Work modes

Volvo's integrated work mode system now includes the G4 mode for optimum fuel efficiency and machine performance. You can choose the best work mode for the task at hand – select from I (Idle), F (Fine), G (General), H (Heavy) and P (Power max).



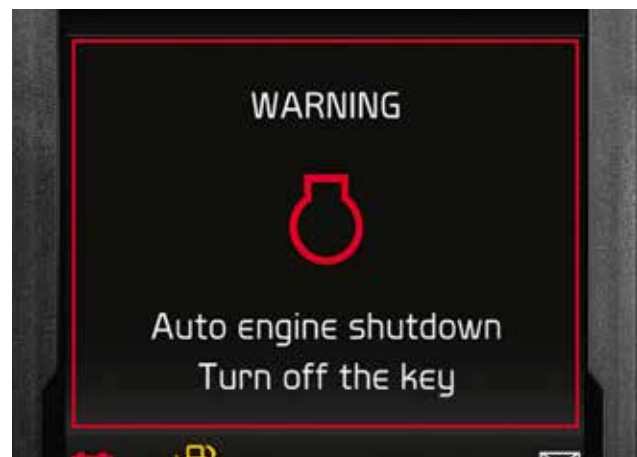
## Eco-gauge

Eco-gauge is an added gauge bar that indicates momentary fuel consumption and can be reset through the display monitor. This will track fuel consumption under different applications.



## Auto-engine shut down

E-Series excavators feature automatic engine shutdown for when the machine is not being used. When the machine is motionless for five minutes, the engine will automatically turn off and reduce your running costs.





# ECO MODE

Volvo's unique ECO mode optimizes the hydraulic system to reduce flow and pressure losses – resulting in improved fuel efficiency without any loss of performance in most operating conditions. ECO mode is automatically selected but can be switched off via the keypad.



# HUMAN MACHINE INTERFACE (HMI)

All machine interfaces – including the joysticks, keypad and LCD monitor – are ergonomically positioned and designed for optimum control and efficiency. For operator convenience and ease of use, the number of switches has been significantly reduced.

# Boost your productivity

It's a fact that operators work more efficiently when they're given the best tools for the job. That's why, on top of being a superior production machine, the EC250E/ EC300E has an ergonomic design with ideally placed controls and switches. With built in comfort and optimized control, operators will work efficiently and productively all day long.

## Keypad + hot key

The optimally positioned keypad allows the operator to easily navigate through the LCD monitor and activate machine functions in a safe and comfortable way. The functionality of the camera, air conditioning and lights can be customized via the hot key – enabling the operator to select and save desired configurations.



## 8 inch LCD

The new, eight-inch non-glare colour LCD monitor displays machine status and information for easy operation. Through the use of a new remote keypad, the display enables the operator to easily navigate through various menus.



## Joystick + shortcut key

The windshield wipers, camera, audio mute or power max function can be assigned to a shortcut switch located on the joystick. This allows the operator to easily control the selected function by simply pressing a switch.



## Bluetooth®

Bluetooth and a hands-free function have been added that allows the operator to connect to wireless functions for easier connectivity and more convenience.

# Non-stop productivity

Experienced and skilled Volvo engineers have developed and rigorously tested Stage V engine systems that deliver the ultimate combination of high productivity and low fuel consumption. Benefit from Volvo's signature high torque at low rpm and experience superior performance and reduced fuel consumption.

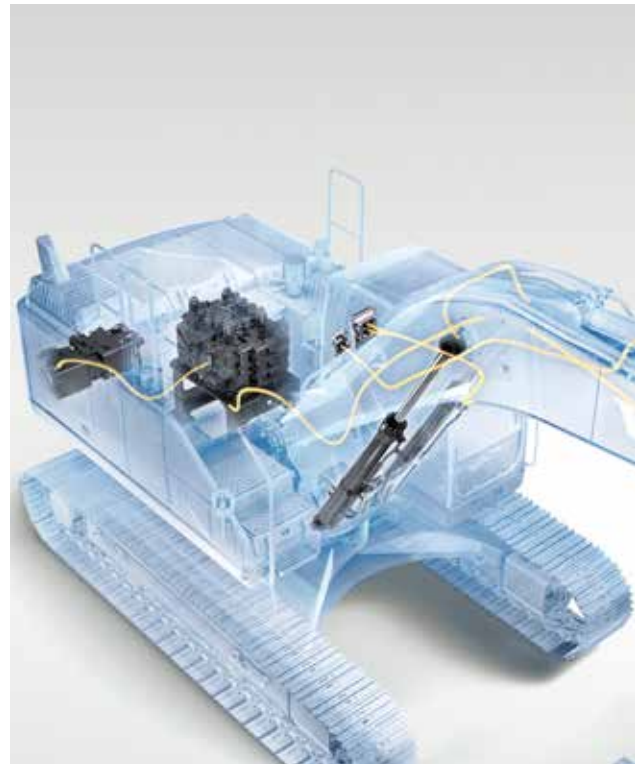
## Attachment management system

The attachment management system – controlled through the monitor – stores the settings for up to 20 different hydraulic attachments for ease of operation. Depending on the options configured, the management system can store rated flow and relieve pressure.



## Positive Control hydraulics + pump input torque

High pump flow combined with the electro-hydraulic control system creates a faster response and cycle time. In addition, the EC300E features increased pump input torque for a reduced cycle time.



## V-ACT (engine and pumps are matched to optimise performance)

It's the combination of the durable D8 Volvo engine and intelligent hydraulic system that makes all the difference. Boosting power while reducing both fuel consumption and emissions results in quicker cycle times and greater productivity.



## Boom float

With the boom float function the pump power for boom lowering can be saved or used for other functions, reducing your cycle time. Also, the grading operation can be made easier.

## Engine after treatment system

The After Treatment Control Module (ACM) automatically controls, monitors and diagnoses the after treatment system to secure emission regulation compliance.





# PROPORTIONAL TWO-PUMP FLOW

The proportional two-pump flow makes it easier for the operator to improve the machine's controllability for a higher quality grading finish. The ease of operation helps to get a quality job done quicker



# BOLT-ON WEAR PLATES

At the arm end where the most movement and wear occurs, Volvo provides wear plates which are easily replaced in a matter of hours in the field – a service that can't be matched by its competitors.

# Built to last

From quarries to mass excavation, this heavy-duty production machine has been built to work on tough job sites. Featuring a robust, reinforced structure and high quality welding, the EC250E/ EC300E boast superior strength and durability. Experience reliability you can count on with Volvo.

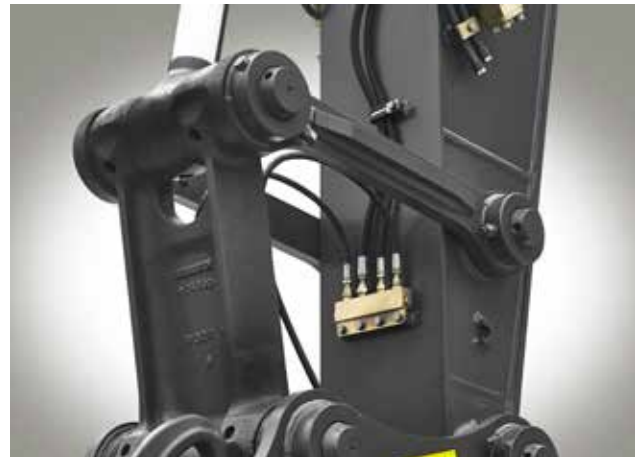
## HD superstructure undercover plating

The optional heavy-duty superstructure undercover protects components within the superstructure. For increased durability, heavy-duty undercover plates provide additional protection to the underside of the machine in tough applications – preventing damage from rock and debris.



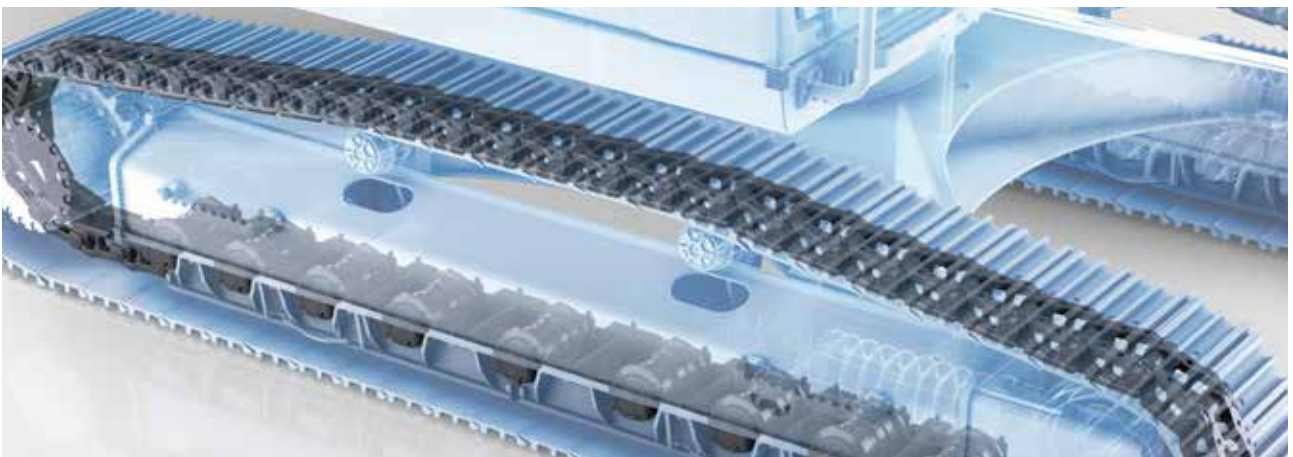
## Re-enforced bucket linkage

A steel strip reinforces and supports the bucket linkage for added strength. It provides consistent long term durability even in the most severe applications.



## Robust undercarriage

The reinforced idler frame, track links and bottom rollers are built to withstand tougher conditions for improved durability and reliability in demanding applications.



## Robust track link

The machines feature reinforced track links for increased durability in tough applications.

# Up your uptime

At Volvo we believe that maintaining your machine should be as quick and easy as possible. That's why our designers and engineers have developed innovative methods to make maintenance easy. With large, wide opening compartment doors and grouped service points, checks will be carried out faster and you'll get the most out of every operating shift.

## Handrails & bolted on anti-slip plates

Multiple handrails and fold-able guardrails provide safe and easy access to the cab and superstructure. The bolted-on punched anti-slip plates provide superior grip and increased safety on board your machine. The fold-able guardrails is to minimize transportation height when it is folded.



## Sturdy doors and hinges

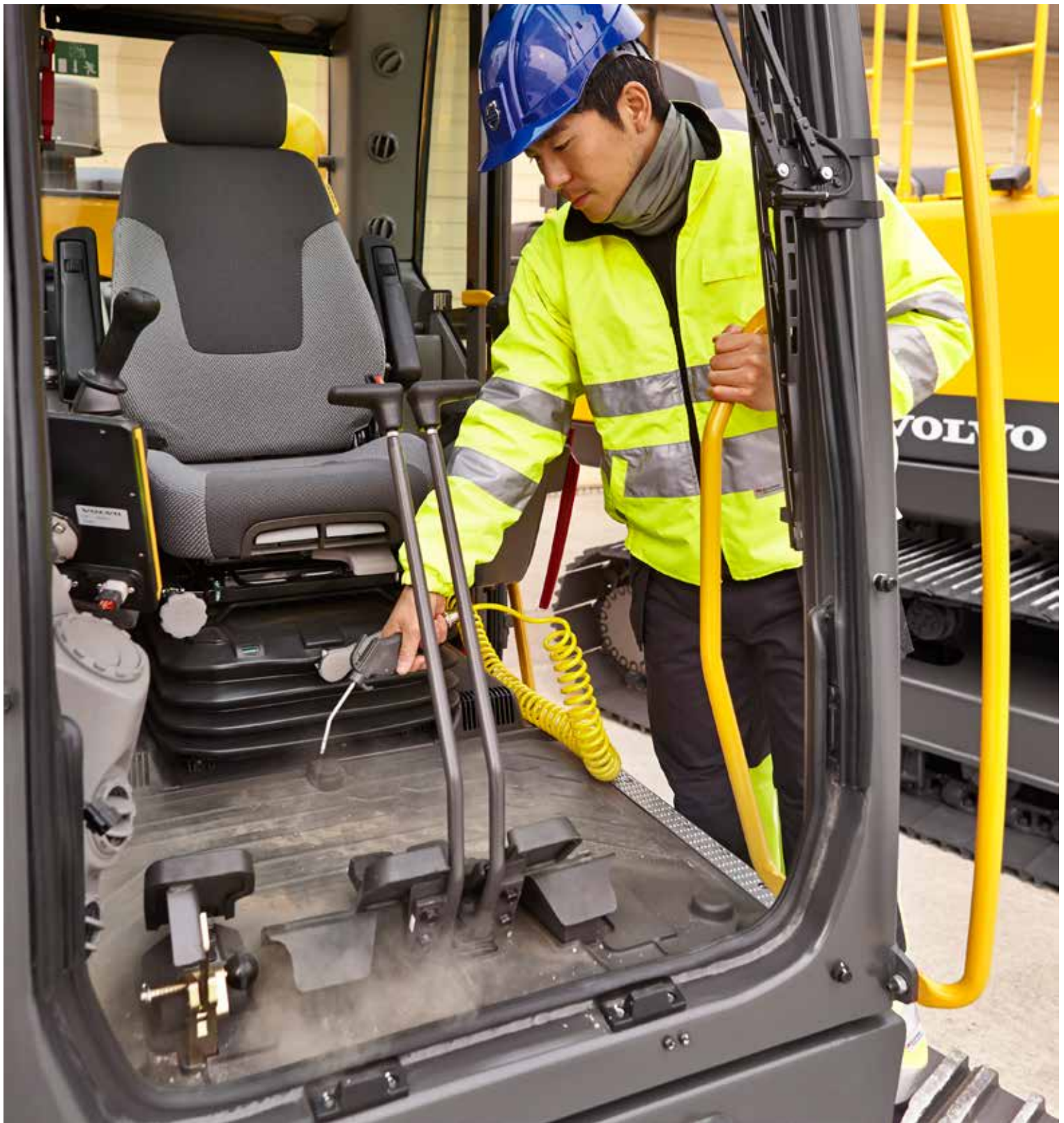
Volvo's design features rigid side doors with robust handles, hinges and locks for superior durability.



## Tool box

The large tool box storage fitted on the right side is very convenient for daily maintenance.





# AIR COMPRESSOR

Volvo now offers an optional and unique air compressor system. The air compressor with air blower, fitted in the cab for easy access, is a powerful tool and can be used to clean the cab whenever necessary.



# MATCHED ATTACHMENTS

Volvo's durable attachments have been purpose-built to work in perfect harmony with Volvo machines, forming one solid, reliable unit. With functions and properties ideally matched, Volvo attachments are an integrated part of the excavator for which they're intended.

# Mix and match for a superior fit

Maximize your productivity and profitability with Volvo's EC250E/EC300E crawler excavators and a range of durable attachments. Increase your versatility, access more applications and perform a variety of tasks – all while experiencing faster cycle times and excellent control.

## Buckets – GP/HD/XD

Volvo's buckets are the perfect tool for digging and re-handling in all conditions from soft, medium and hard materials. Heavy-duty buckets are intended for productive digging in compact materials. All provide maximum productivity and long life and feature original Volvo wear components.



## Breakers HB24, HB36

The HB-Series of hydraulic breakers are optimized to the specific weights of Volvo machines and tailored to Volvo quick couplers for swift, safe and simple attachment changes. They are available with a full assortment of tools.



## Quick Coupler

Volvo offers a full range of quick couplers, including its dedicated S-type couplers, that eliminates a loss of break-out force and perfectly match Volvo's bucket range. The Volvo universal quick coupler picks up a variety of attachments from various manufacturers. All Volvo quick couplers meet the latest safety regulations.



## Tilt Rotator\*

Volvo's tilt rotator can be ordered factory installed with multifunctional joysticks and color display that's fully integrated into the machine's system. The new series of Volvo XD excavator buckets are perfectly matched to the factory installed tilt rotator. *\*EC250E only*



# Optimize your options

## ECO MODE

Volvo's unique ECO mode improves fuel efficiency without any loss of performance.

## PROPORTIONAL TWO-PUMP FLOW

The proportional two-pump flow makes it easier for the operator to improve the machine's controllability for a higher quality grading finish. The ease of operation helps to get a quality job done quicker.

## Booms and arms

To achieve the best performance, select the most suitable boom and arm configuration combination for your requirements.

## BOLT-ON WEAR PLATES

At the arm end where the most movement and wear occurs, Volvo provides wear plates which are easily replaced in a matter of hours in the field – a service that can't be matched by its competitors.

## Demolition package

Volvo's factory fit demolition package offers ultimate protection for the machine.

## MATCHED ATTACHMENTS

Volvo's durable attachments have been purposebuilt to work in perfect harmony with Volvo machines, forming one solid, reliable unit. With functions and properties ideally matched, Volvo attachments are an integrated part of the excavator for which they're intended.

## AdBlue®

Volvo offers a total AdBlue solution that is quality assured, cost efficient and easily accessible. Contact your Volvo dealer for more information.  
® = registered trademark of the Verband der Automobilindustrie e.V. (VDA)





## HUMAN MACHINE INTERFACE (HMI)

All machine interfaces are ergonomically positioned and designed for optimum control and efficiency.

### Bluetooth®

Bluetooth multimedia and hands-free functions have been added, allowing the operator to connect to wireless functions for increased comfort and safety.

## AIR COMPRESSOR

Volvo now offers an optional and unique air compressor system. The air compressor with air blower, fitted in the cab for easy access, is a powerful tool and can be used to clean the cab whenever necessary.

### Automatic engine shutdown

E-Series excavators feature optional automatic engine shutdown for when the machine is idle for a pre-set period.

### Handrails and anti-slip plates

Punched anti-slip plates and multiple handrails and fold-able guardrails provide safe and easy access to the machine.

### After treatment system

The automatic regeneration process takes place without interrupting machine operation, performance or productivity.

### Robust track link

The excavators feature reinforced track links for improved durability in tough applications.



# Adding value to your business

Being a Volvo customer means having a complete set of services at your fingertips. Volvo can offer you a long-term partnership, protect your revenue and provide a full range of customer solutions using high quality parts, delivered by passionate people. Volvo is committed to increasing the positive return on your investment and maximising uptime.

## Complete Solutions

Volvo has the right solution for you. So why not let us provide all your needs throughout the whole life cycle of your machine? By listening to your requirements, we can reduce your total cost of ownership and increase your revenue.



## Perform with precision

Unlock the full potential of your machine's productivity with Dig Assist, the intelligent and intuitive technology which allows the operator to quickly and easily manage all excavator functions from a single in-cab system. Powered by the high resolution in-cab Volvo Co-Pilot, and with 2D, In-Field Design and 3D software packages available, Dig Assist gives operators access to a range of tools to help them achieve unmatched control, accuracy and uptime.



## Genuine Volvo Parts

Our attention to detail is what makes us stand out. This proven concept acts as a solid investment in your machine's future. Parts are extensively tested and approved because every part is vital for uptime and performance. Only by using Genuine Volvo Parts, can you be sure that your machine retains the renowned Volvo quality.



## Service Network

In order to respond to your needs faster, a Volvo expert is on their way to your job site from one of our Volvo facilities. With our extensive infrastructure of technicians, workshops and dealers, Volvo has a comprehensive network to fully support you using local knowledge and global experience.





# CUSTOMER SUPPORT AGREEMENTS

The range of Customer Support Agreements offer preventive maintenance, total repairs and a number of uptime services. Volvo uses the latest technology to monitor machine operation and status, giving you advice to increase your profitability. By having a Customer Support Agreement you are in control of your service costs.

# Volvo EC250E, EC300E in detail

## Engine

The latest generation, Volvo engine Stage V emissions compliant diesel engine fully meets the demands of the latest, emissions regulations. Featuring Volvo Advanced Combustion Technology (V-ACT), it is designed to deliver superior performance and fuel efficiency. The engine uses precise, high pressure fuel injectors, turbo charger and air-to-air intercooler, and electronic engine controls to optimize machine performance.  
 Air Filter: 3-stage with precleaner.  
 Automatic Idling System: Reduces engine speed to idle when the levers and pedals are not activated resulting in less fuel consumption and low cab noise levels.

### EC250E

| Engine                     | Volvo | D8J   |
|----------------------------|-------|-------|
| Max power at               | r/min | 1 800 |
| Net, ISO 9249/SAE J1349    | kW    | 159   |
|                            | hp    | 216   |
| Gross, ISO 14396/SAE J1995 | kW    | 160   |
|                            | hp    | 218   |
| Max torque                 | Nm    | 1 110 |
| at engine speed            | r/min | 1 350 |
| No. of cylinders           |       | 6     |
| Displacement               | l     | 7.8   |
| Bore                       | mm    | 110   |
| Stroke                     | mm    | 136   |

### EC300E

| Engine                     | Volvo | D8J   |
|----------------------------|-------|-------|
| Max power at               | r/min | 1 800 |
| Net, ISO 9249/SAE J1349    | kW    | 179   |
|                            | hp    | 243   |
| Gross, ISO 14396/SAE J1995 | kW    | 180   |
|                            | hp    | 245   |
| Max torque                 | Nm    | 1 238 |
| at engine speed            | r/min | 1 350 |
| No. of cylinders           |       | 6     |
| Displacement               | l     | 7.8   |
| Bore                       | mm    | 110   |
| Stroke                     | mm    | 136   |

## Electrical system

High-capacity electrical system that is well protected. Waterproof double-lock harness plugs are used to secure corrosion-free connections. The main relays and solenoid valves are shielded to prevent damage. The master switch is standard.  
 Contronics provides advanced monitoring of machine functions and important diagnostic information.

|                  |     | EC250E | EC300E |
|------------------|-----|--------|--------|
| Voltage          | V   | 24     | 24     |
| Batteries        | V   | 2 x 12 | 2 x 12 |
| Battery capacity | Ah  | 200    | 200    |
| Alternator       | V/A | 28/80  | 28/80  |

## Service Refill

|                         |   | EC250E | EC300E |
|-------------------------|---|--------|--------|
| Fuel tank               | l | 470    | 470    |
| DEF/AdBlue® tank        | l | 53     | 53     |
| Hydraulic system, total | l | 320    | 400    |
| Hydraulic tank          | l | 207    | 207    |
| Engine oil              | l | 32     | 32     |
| Engine coolant          | l | 41     | 41     |
| Slew reduction unit     | l | 5.9    | 6.1    |
| Travel reduction unit   | l | 2 x 5  | 2 x 6  |

## Swing system

The swing system uses an axial piston motors, driving a planetary gearbox for maximum torque. An automatic holding brake and anti-rebound valve are standard.

|                  |       | EC250E | EC300E |
|------------------|-------|--------|--------|
| Max. slew speed  | r/min | 11.9   | 10.7   |
| Max. slew torque | kNm   | 91.7   | 110.9  |

## Travel System

Each track is powered by an automatic two-speed shift travel motor. The track brakes are multi-disc, spring-applied and hydraulic released. The travel motor, brake and planetary gears are well protected within the track frame.

|                          |      | EC250E | EC300E |
|--------------------------|------|--------|--------|
| Max. drawbar pull        | kN   | 217    | 248    |
| Max. travel speed (low)  | km/h | 3.5    | 3.4    |
| Max. travel speed (high) | km/h | 5.5    | 5.4    |
| Gradeability             | °    | 35     | 35     |

## Undercarriage

The undercarriage has a robust X-shaped frame. Greased and sealed track chains are standard.

|                                 |    | EC250E                | EC300E                |
|---------------------------------|----|-----------------------|-----------------------|
| Track shoes                     |    | 2 x 51                | 2 x 50                |
| Link pitch                      | mm | 190                   | 203                   |
| Shoe width, triple grouser      | mm | 600 / 700 / 800 / 900 | 600 / 700 / 800 / 900 |
| Shoe width, triple grouser (HD) | mm | 600                   | 600                   |
| Shoe width, double grouser      | mm | 600 / 700             | 700                   |
| Bottom rollers                  |    | 2 x 9                 | 2 x 9                 |
| Top rollers                     |    | 2 x 2                 | 2 x 2                 |

## Hydraulic system

The new electro-hydraulic system and new MCV (main control valve) use intelligent technology to control on-demand flow for high-productivity, high-digging capacity and excellent fuel consumption.

The following important functions are included in the system for optimum performance:

Summation system: Combines the flow of both hydraulic pumps to ensure quick cycle times and high productivity.

Boom priority: Gives priority to the boom operation for faster raising when loading or performing deep excavations.

Arm priority: Gives priority to the arm operation for faster cycle times in leveling and for increased bucket filling when digging.

Swing priority: Gives priority to swing functions for faster simultaneous operations.

Regeneration system: Prevents cavitation and provides flow to other movements during simultaneous operations for maximum productivity.

Power boost: All digging and lifting forces are increased.

Holding valves: Boom and arm holding valves prevent the digging equipment from creeping.

|   |       | EC250E    | EC300E    |
|---|-------|-----------|-----------|
| <b>Main pump, Type 2 x variable displacement axial piston pumps</b> |       |           |           |
| Maximum flow  | l/min | 2 x 240   | 2 x 263   |
| <b>Pilot pump, Type Gear pump</b>                                   |       |           |           |
| Maximum flow  | l/min | 18        | 18        |
| <b>Relief value setting pressure</b>                                |       |           |           |
| Implement   | MPa   | 33.3/36.3 | 33.3/36.3 |
| Travel circuit  | MPa   | 33.3      | 33.3      |
| Slew circuit  | MPa   | 27.9      | 27.9      |
| Pilot circuit   | MPa   | 3.9       | 3.9       |

Travel: Variable displacement axial piston motor with mechanical brake  
Slew: Fixed displacement axial piston motor with mechanical brake

## Hydraulic Cylinders

|                           |        | EC250E      | EC300E      |
|---------------------------|--------|-------------|-------------|
| <b>Mono boom</b>          |        |             |             |
|                           |        | 2           | 2           |
| Bore x Stroke             | ø x mm | 135 x 1 345 | 140 x 1 480 |
| <b>2 piece boom</b>       |        |             |             |
|                           |        | 1           | 1           |
| Bore x Stroke             | ø x mm | 160 x 1 230 | 170 x 1 300 |
| <b>Arm</b>                |        |             |             |
|                           |        | 1           | 1           |
| Bore x Stroke             | ø x mm | 140 x 1 665 | 150 x 1 745 |
| <b>Bucket</b>             |        |             |             |
|                           |        | 1           | 1           |
| Bore x Stroke             | ø x mm | 130 x 1 150 | 140 x 1 140 |
| <b>Bucket for LR boom</b> |        |             |             |
|                           |        | 1           | 1           |
| Bore x Stroke             | ø x mm | 100 x 865   | 100 x 865   |

## Cab

The operator's cab has easy access via a wide door opening. The cab is supported on hydraulic dampening mounts to reduce shock and vibration levels. These along with sound absorbing lining provide low noise levels. The cab has excellent all-round visibility. The front windshield can easily slide up into the ceiling, and the lower front glass can be removed and stored in the side door.

Integrated air-conditioning and heating system: The pressurized and filtered cab air is supplied by an automatically-controlled fan. The air is distributed throughout the cab from 14 vents.

Ergonomic operator's seat: The adjustable seat and joystick console move independently to accommodate the operator. The seat has nine different adjustments plus a seat belt for the operator's comfort and safety.

## Sound Level

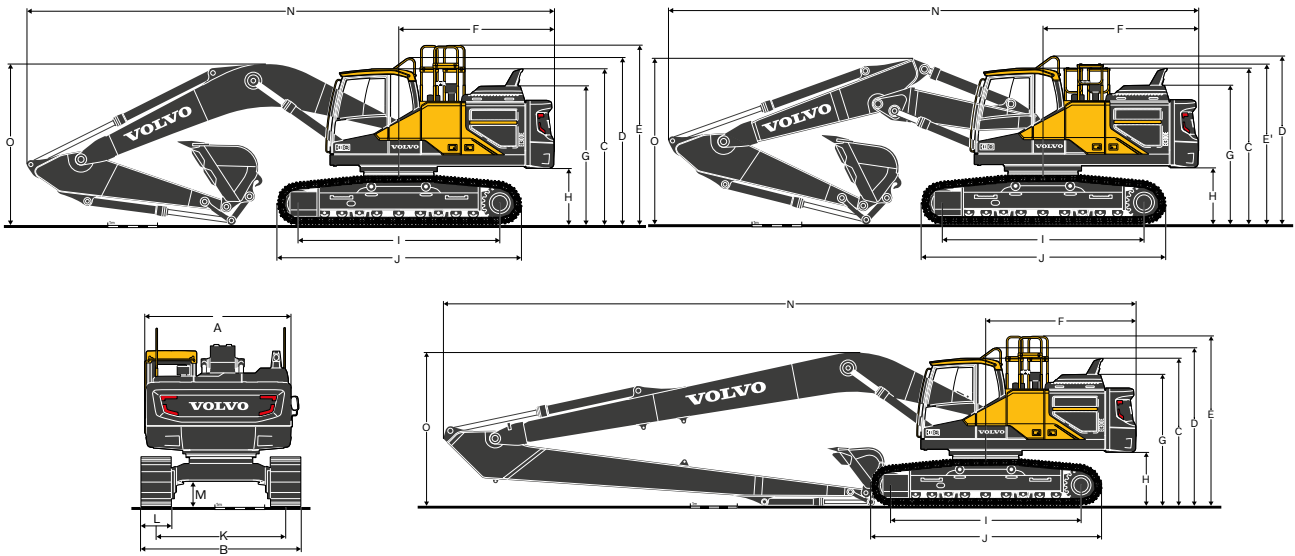
|  |    | EC250E | EC300E |
|--|----|--------|--------|
| Sound pressure level in cab according to ISO 6396                            |    |        |        |
| L <sub>pA</sub> (standard)   | dB | 70     | 70     |
| L <sub>pA</sub> (tropical)   | dB | 71     | 71     |
| External sound level according to ISO 6395 and EU Noise Directive 2000/14/EC |    |        |        |
| L <sub>WA</sub> (standard)   | dB | 103    | 104    |
| L <sub>WA</sub> (tropical)   | dB | 104    | 105    |

# Specifications

| GROUND PRESSURE    |            |  |                 |               |   |                 |               |  |                 |               |
|--------------------|------------|--|-----------------|---------------|---|-----------------|---------------|--|-----------------|---------------|
| Description        | Shoe width | EC250E   |                 |               |   |                 |               |  |                 |               |
|                    |            | Operating weight   | Ground pressure | Overall width | Operating weight  | Ground pressure | Overall width | Operating weight   | Ground pressure | Overall width |
|                    |            | kg   | kPa             | mm            | kg  | kPa             | mm            | kg   | kPa             | mm            |
| Triple grouser     | 600        | 25 590   | 50.6            | 3 190         | 25 760  | 50.9            | 3 190         | 26 180   | 51.7            | 3 190         |
|                    | 700        | 25 890   | 43.8            | 3 290         | 26 070  | 44.1            | 3 290         | 26 480   | 44.8            | 3 290         |
|                    | 800        | 26 190   | 38.8            | 3 390         | 26 360  | 39.1            | 3 390         | 26 780   | 39.7            | 3 390         |
|                    | 900        | 26 490   | 34.9            | 3 490         | 26 670  | 35.1            | 3 490         | 27 090   | 35.7            | 3 490         |
| Triple grouser(HD) | 600        | 25 820   | 51.0            | 3 190         | 26 000  | 51.4            | 3 190         | 26 420   | 52.2            | 3 190         |
| Double grouser     | 600        | 25 820   | 51.0            | 3 290         | 25 990  | 51.3            | 3 290         | 26 410   | 52.2            | 3 290         |
|                    | 700        | 26 160   | 44.3            | 3 290         | 26 340  | 44.6            | 3 290         | 26 750   | 45.3            | 3 290         |
|                    |            | EC250E with L undercarriage, 6.0m boom, 2.97m arm, 1 197kg bucket, 4 250kg counterweight       |                 |               | EC250E with L undercarriage, 6.0m HD boom, 2.97m HD arm, 1 197kg bucket, 4 250kg counterweight  |                 |               | EC250E with L undercarriage, 5.95m 2-piece boom, 2.97m arm, 1 197kg bucket, 4 250kg counterweight  |                 |               |
| Triple grouser     | 600        | 26 290   | 51.9            | 3 190         | 26 460  | 52.3            | 3 190         | 26 880   | 53.1            | 3 190         |
|                    | 700        | 26 590   | 45.0            | 3 290         | 26 770  | 45.3            | 3 290         | 27 180   | 46.0            | 3 290         |
|                    | 800        | 26 890   | 39.8            | 3 390         | 27 060  | 40.1            | 3 390         | 27 480   | 40.7            | 3 390         |
|                    | 900        | 27 190   | 35.8            | 3 490         | 27 370  | 36.0            | 3 490         | 27 790   | 36.6            | 3 490         |
| Triple grouser(HD) | 600        | 26 520   | 52.4            | 3 190         | 26 700  | 52.7            | 3 190         | 27 120   | 53.6            | 3 190         |
| Double grouser     | 600        | 26 520   | 52.4            | 3 290         | 26 690  | 52.7            | 3 290         | 27 110   | 53.6            | 3 290         |
|                    | 700        | 26 860   | 45.5            | 3 290         | 27 040  | 45.8            | 3 290         | 27 450   | 46.5            | 3 290         |
|                    |            | EC250E with L undercarriage, 6.0m boom, 2.97m arm, 1 197kg bucket, 4 950kg counterweight       |                 |               | EC250E with L undercarriage, 6.0m HD boom, 2.97m HD arm, 1 197kg bucket, 4 950kg counterweight  |                 |               | EC250E with L undercarriage, 5.95m 2-piece boom, 2.97m arm, 1 197kg bucket, 4 950kg counterweight  |                 |               |
| Triple grouser     | 600        | 25 500   | 50.4            | 2 990         | 25 680  | 50.7            | 2 990         | 26 100   | 51.6            | 2 990         |
|                    | 700        | 25 800   | 43.7            | 3 090         | 25 980  | 44.0            | 3 090         | 26 400   | 44.7            | 3 090         |
|                    | 800        | 26 100   | 38.7            | 3 190         | 26 280  | 38.9            | 3 190         | 26 690   | 39.5            | 3 190         |
|                    | 900        | 26 410   | 34.8            | 3 290         | 26 580  | 35.0            | 3 290         | 27 000   | 35.6            | 3 290         |
| Triple grouser(HD) | 600        | 25 740   | 50.8            | 2 990         | 25 920  | 51.2            | 2 990         | 26 330   | 52.0            | 2 990         |
| Double grouser     | 600        | 25 730   | 50.8            | 2 990         | 25 910  | 51.2            | 2 990         | 26 330   | 52.0            | 2 990         |
|                    |            | EC250E with NL undercarriage, 6.0m boom, 2.97m arm, 1 197kg bucket, 4 250kg counterweight      |                 |               | EC250E with NL undercarriage, 6.0m HD boom, 2.97m HD arm, 1 197kg bucket, 4 250kg counterweight |                 |               | EC250E with NL undercarriage, 5.95m 2-piece boom, 2.97m arm, 1 197kg bucket, 4 250kg counterweight |                 |               |
| Triple grouser     | 600        | 26 200   | 51.8            | 2 990         | 26 380  | 52.1            | 2 990         | 26 800   | 52.9            | 2 990         |
|                    | 700        | 26 500   | 44.9            | 3 090         | 26 680  | 45.2            | 3 090         | 27 100   | 45.9            | 3 090         |
|                    | 800        | 26 800   | 39.7            | 3 190         | 26 980  | 40.0            | 3 190         | 27 390   | 40.6            | 3 190         |
|                    | 900        | 27 110   | 35.7            | 3 290         | 27 280  | 35.9            | 3 290         | 27 700   | 36.5            | 3 290         |
| Triple grouser(HD) | 600        | 26 440   | 52.2            | 2 990         | 26 620  | 52.6            | 2 990         | 27 030   | 53.4            | 2 990         |
| Double grouser     | 600        | 26 430   | 52.2            | 2 990         | 26 610  | 52.6            | 2 990         | 27 030   | 53.4            | 2 990         |
|                    |            | EC250E with NL undercarriage, 6.0m boom, 2.97m arm, 1 197kg bucket, 4 950kg counterweight      |                 |               | EC250E with NL undercarriage, 6.0m HD boom, 2.97m HD arm, 1 197kg bucket, 4 950kg counterweight |                 |               | EC250E with NL undercarriage, 5.95m 2-piece boom, 2.97m arm, 1 197kg bucket, 4 950kg counterweight |                 |               |
| Triple grouser     | 600        | 28 030   | 56.5            | 3 190         |   |                 |               |  |                 |               |
|                    | 800        | 28 630   | 43.3            | 3 390         |   |                 |               |  |                 |               |
|                    | 900        | 28 930   | 38.9            | 3 490         |   |                 |               |  |                 |               |
| Triple grouser(HD) | 600        | 28 270   | 55.8            | 3 190         |   |                 |               |  |                 |               |
|                    |            | EC250E with LR undercarriage, 10.2m LR boom, 7.85m LR arm, 454kg bucket, 6 200kg counterweight |                 |               |   |                 |               |  |                 |               |

| GROUND PRESSURE    |            |   |                 |               |   |                 |               |   |                 |               |
|--------------------|------------|---|-----------------|---------------|---|-----------------|---------------|---|-----------------|---------------|
|                    |            | EC300E  |                 |               |   |                 |               |   |                 |               |
| Description        | Shoe width | Operating weight  | Ground pressure | Overall width | Operating weight  | Ground pressure | Overall width | Operating weight  | Ground pressure | Overall width |
|                    | mm         | kg  | kPa             | mm            | kg  | kPa             | mm            | kg  | kPa             | mm            |
| Triple grouser     | 600        | 29 350  | 56.6            | 3 190         | 29 650  | 57.2            | 3 190         | 30 230  | 58.3            | 3 190         |
|                    | 700        | 29 910  | 49.5            | 3 290         | 30 210  | 50.0            | 3 290         | 30 790  | 50.9            | 3 290         |
|                    | 800        | 30 290  | 43.8            | 3 390         | 30 590  | 44.3            | 3 390         | 31 170  | 45.1            | 3 390         |
|                    | 900        | 30 660  | 39.4            | 3 490         | 30 960  | 39.8            | 3 490         | 31 540  | 40.6            | 3 490         |
| Triple grouser(HD) | 600        | 29 550  | 57.0            | 3 190         | 29 850  | 57.6            | 3 190         | 30 430  | 58.7            | 3 190         |
| Double grouser     | 700        | 30 060  | 49.7            | 3 290         | 30 360  | 50.2            | 3 290         | 30 940  | 51.2            | 3 290         |
|                    |            | EC300E with L undercarriage, 6.2m boom, 3.05m arm, 1 209kg bucket, 5 100kg counterweight      |                 |               | EC300E with L undercarriage, 6.2m HD boom, 3.05m HD arm, 1 209kg bucket, 5 100kg counterweight  |                 |               | EC300E with L undercarriage, 6.2m 2-piece boom, 3.05m arm, 1 209kg bucket, 5 100kg counterweight  |                 |               |
| Triple grouser     | 600        | 29 750  | 57.4            | 3 190         | 30 050  | 58.0            | 3 190         | 30 630  | 59.1            | 3 190         |
|                    | 700        | 30 310  | 50.1            | 3 290         | 30 610  | 50.6            | 3 290         | 31 190  | 51.6            | 3 290         |
|                    | 800        | 30 690  | 44.4            | 3 390         | 30 990  | 44.8            | 3 390         | 31 570  | 45.7            | 3 390         |
|                    | 900        | 31 060  | 39.9            | 3 490         | 31 360  | 40.3            | 3 490         | 31 940  | 41.1            | 3 490         |
| Triple grouser(HD) | 600        | 29 950  | 57.8            | 3 190         | 30 250  | 58.4            | 3 190         | 30 830  | 59.5            | 3 190         |
| Double grouser     | 700        | 30 460  | 50.4            | 3 290         | 30 760  | 50.9            | 3 290         | 31 340  | 51.8            | 3 290         |
|                    |            | EC300E with L undercarriage, 6.2m boom, 3.05m arm, 1 209kg bucket, 5 500kg counterweight      |                 |               | EC300E with L undercarriage, 6.2m HD boom, 3.05m HD arm, 1 209kg bucket, 5 500kg counterweight  |                 |               | EC300E with L undercarriage, 6.2m 2-piece boom, 3.05m arm, 1 209kg bucket, 5 500kg counterweight  |                 |               |
| Triple grouser     | 600        | 29 220  | 56.4            | 2 990         | 29 520  | 57.0            | 2 990         | 30 100  | 58.1            | 2 990         |
|                    | 700        | 29 780  | 49.2            | 3 090         | 30 080  | 49.7            | 3 090         | 30 660  | 50.7            | 3 090         |
|                    | 800        | 30 160  | 43.6            | 3 190         | 30 460  | 44.1            | 3 190         | 31 040  | 44.9            | 3 190         |
|                    | 900        | 30 530  | 39.3            | 3 290         | 30 830  | 39.7            | 3 290         | 31 410  | 40.4            | 3 290         |
| Triple grouser(HD) | 600        | 29 420  | 56.8            | 2 990         | 29 720  | 57.3            | 2 990         | 30 300  | 58.5            | 2 990         |
|                    |            | EC300E with NL undercarriage, 6.2m boom, 3.05m arm, 1 209kg bucket, 5 100kg counterweight     |                 |               | EC300E with NL undercarriage, 6.2m HD boom, 3.05m HD arm, 1 209kg bucket, 5 100kg counterweight |                 |               | EC300E with NL undercarriage, 6.2m 2-piece boom, 3.05m arm, 1 209kg bucket, 5 100kg counterweight |                 |               |
| Triple grouser     | 600        | 29 620  | 57.1            | 2 990         | 29 920  | 57.7            | 2 990         | 30 500  | 58.8            | 2 990         |
|                    | 700        | 30 180  | 49.9            | 3 090         | 30 480  | 50.4            | 3 090         | 31 060  | 51.4            | 3 090         |
|                    | 800        | 30 560  | 44.2            | 3 190         | 30 860  | 44.7            | 3 190         | 31 440  | 45.5            | 3 190         |
|                    | 900        | 30 930  | 39.8            | 3 290         | 31 230  | 40.2            | 3 290         | 31 810  | 40.9            | 3 290         |
| Triple grouser(HD) | 600        | 29 820  | 57.5            | 2 990         | 30 120  | 58.1            | 2 990         | 30 700  | 59.2            | 2 990         |
|                    |            | EC300E with NL undercarriage, 6.2m boom, 3.05m arm, 1 209kg bucket, 5 500kg counterweight     |                 |               | EC300E with NL undercarriage, 6.2m HD boom, 3.05m HD arm, 1 209kg bucket, 5 500kg counterweight |                 |               | EC300E with NL undercarriage, 6.2m 2-piece boom, 3.05m arm, 1 209kg bucket, 5 500kg counterweight |                 |               |
| Triple grouser     | 600        | 31 470  | 60.7            | 3 190         |   |                 |               |   |                 |               |
|                    | 800        | 32 400  | 46.9            | 3 390         |   |                 |               |   |                 |               |
|                    | 900        | 32 770  | 42.1            | 3 490         |   |                 |               |   |                 |               |
| Triple grouser(HD) | 600        | 31 670  | 61.1            | 3 290         |   |                 |               |   |                 |               |
|                    |            | EC300E with LR undercarriage, 10.2m LR boom, 7.9m LR arm, 473kg bucket, 6 800kg counterweight |                 |               |   |                 |               |   |                 |               |

# Specifications



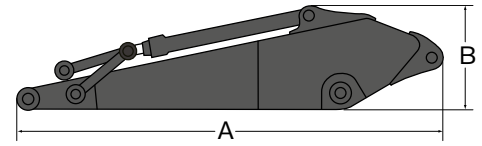
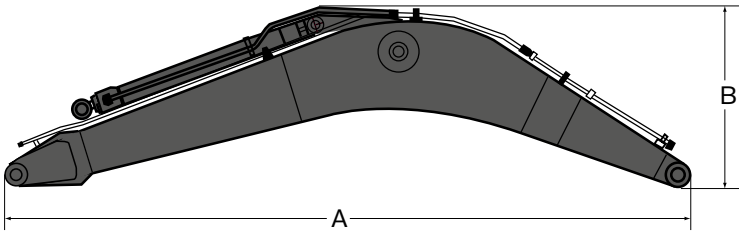
## DIMENSIONS

| Description                               | Unit | EC250EL                  |        |        | EC250ENL                 |        |        | EC250ELR |
|---|------|--------------------------|--------|--------|--------------------------|--------|--------|----------|
| Boom                                      | m    | 6.0 mono or 5.95 2-piece |        |        | 6.0 mono or 5.95 2-piece |        |        | 10.2     |
| Arm                                       | m    | 2.5                      | 2.97   | 3.6    | 2.5                      | 2.97   | 3.6    | 7.85     |
| A. Overall width of upper structure       | mm   | 2 890                    | 2 890  | 2 890  | 2 890                    | 2 890  | 2 890  | 2 890    |
| B. Overall width                          | mm   | 3 190                    | 3 190  | 3 190  | 2 990                    | 2 990  | 2 990  | 3 190    |
| C. Overall height of cab                  | mm   | 3 050                    | 3 050  | 3 050  | 3 050                    | 3 050  | 3 050  | 3 050    |
| D. Overall height of handrail             | mm   | 3 265                    | 3 265  | 3 265  | 3 265                    | 3 265  | 3 265  | 3 265    |
| E. Overall height of guardrail (Unfolded) | mm   | 3 510                    | 3 510  | 3 510  | 3 510                    | 3 510  | 3 510  | 3 510    |
| E'. Overall height of guardrail (Folded)  | mm   | 3 115                    | 3 115  | 3 115  | 3 115                    | 3 115  | 3 115  | 3 115    |
| F. Tail swing radius                      | mm   | 3 070                    | 3 070  | 3 070  | 3 070                    | 3 070  | 3 070  | 3 150    |
| G. Overall height of engine hood          | mm   | 2 710                    | 2 710  | 2 710  | 2 710                    | 2 710  | 2 710  | 2 710    |
| H. Counterweight clearance *              | mm   | 1 040                    | 1 040  | 1 040  | 1 040                    | 1 040  | 1 040  | 1 040    |
| I. Tumbler length                         | mm   | 3 850                    | 3 850  | 3 850  | 3 850                    | 3 850  | 3 850  | 3 850    |
| J. Track length                           | mm   | 4 650                    | 4 650  | 4 650  | 4 650                    | 4 650  | 4 650  | 4 650    |
| K. Track gauge                            | mm   | 2 590                    | 2 590  | 2 590  | 2 390                    | 2 390  | 2 390  | 2 590    |
| L. Shoe width                             | mm   | 600                      | 600    | 600    | 600                      | 600    | 600    | 600      |
| M. Min. ground clearance *                | mm   | 470                      | 470    | 470    | 470                      | 470    | 470    | 470      |
| N. Overall length                         | mm   | 10 310                   | 10 230 | 10 300 | 10 310                   | 10 230 | 10 300 | 14 520   |
| N1. Overall length                        | mm   | 10 260                   | 10 230 | 10 230 | 10 260                   | 10 230 | 10 230 | -        |
| O. Overall height of boom                 | mm   | 3 330                    | 3 110  | 3 330  | 3 330                    | 3 110  | 3 330  | 3 080    |
| O1. Overall height of boom                | mm   | 3 260                    | 3 180  | 3 410  | 3 260                    | 3 180  | 3 410  | -        |
| Description                               | Unit | EC300EL                  |        |        | EC300ENL                 |        |        | EC300ELR |
| Boom                                      | m    | 6.2 mono or 6.2 2-piece  |        |        | 6.2 mono or 6.2 2-piece  |        |        | 10.2     |
| Arm                                       | m    | 2.55                     | 3.05   | 3.7    | 2.55                     | 3.05   | 3.7    | 7.9      |
| A. Overall width of upper structure       | mm   | 2 890                    | 2 890  | 2 890  | 2 890                    | 2 890  | 2 890  | 2 890    |
| B. Overall width                          | mm   | 3 190                    | 3 190  | 3 190  | 2 990                    | 2 990  | 2 990  | 3 190    |
| C. Overall height of cab                  | mm   | 3 110                    | 3 110  | 3 110  | 3 110                    | 3 110  | 3 110  | 3 110    |
| D. Overall height of handrail             | mm   | 3 325                    | 3 325  | 3 325  | 3 325                    | 3 325  | 3 325  | 3 325    |
| E. Overall height of guardrail (Unfolded) | mm   | 3 570                    | 3 570  | 3 570  | 3 570                    | 3 570  | 3 570  | 3 570    |
| E'. Overall height of guardrail (Folded)  | mm   | 3 175                    | 3 175  | 3 175  | 3 175                    | 3 175  | 3 175  | 3 175    |
| F. Tail swing radius                      | mm   | 3 120                    | 3 120  | 3 120  | 3 120                    | 3 120  | 3 120  | 3 200    |
| G. Overall height of engine hood          | mm   | 2 770                    | 2 770  | 2 770  | 2 770                    | 2 770  | 2 770  | 2 770    |
| H. Counterweight clearance *              | mm   | 1 100                    | 1 100  | 1 100  | 1 100                    | 1 100  | 1 100  | 1 100    |
| I. Tumbler length                         | mm   | 4 015                    | 4 015  | 4 015  | 4 015                    | 4 015  | 4 015  | 4 015    |
| J. Track length                           | mm   | 4 870                    | 4 870  | 4 870  | 4 870                    | 4 870  | 4 870  | 4 870    |
| K. Track gauge                            | mm   | 2 590                    | 2 590  | 2 590  | 2 390                    | 2 390  | 2 390  | 2 590    |
| L. Shoe width                             | mm   | 600                      | 600    | 600    | 600                      | 600    | 600    | 600      |
| M. Min. ground clearance *                | mm   | 480                      | 480    | 480    | 480                      | 480    | 480    | 480      |
| N. Overall length                         | mm   | 10 610                   | 10 510 | 10 550 | 10 610                   | 10 510 | 10 550 | 14 610   |
| N1. Overall length                        | mm   | 10 600                   | 10 540 | 10 540 | 10 600                   | 10 540 | 10 540 | -        |
| O. Overall height of boom                 | mm   | 3 480                    | 3 350  | 3 580  | 3 480                    | 3 350  | 3 580  | 3 230    |
| O1. Overall height of boom                | mm   | 3 360                    | 3 300  | 3 530  | 3 360                    | 3 300  | 3 530  | -        |

\* Without shoe grouser

1 2-piece boom





**DIMENSIONS**

|             |      | Boom   |        |         |            | Arm    |        |         |            |
|-------------|------|--------|--------|---------|------------|--------|--------|---------|------------|
|             |      | EC250E |        |         |            | EC300E |        |         |            |
| Description | Unit | mono   | mono   | 2-piece | Long-Reach | mono   | mono   | 2-piece | Long-Reach |
| Boom        | m    | 6.0 GP | 6.0 HD | 5.95    | 10.2       | 6.2 GP | 6.2 HD | 6.2     | 10.2       |
| Length      | mm   | 6210   | 6210   | 6160    | 10410      | 6430   | 6430   | 6430    | 10430      |
| Height      | mm   | 1630   | 1630   | 1100    | 1525       | 1680   | 1680   | 1590    | 1620       |
| Width       | mm   | 740    | 740    | 740     | 740        | 770    | 770    | 770     | 770        |
| Weight      | kg   | 2180   | 2360   | 2840    | 3010       | 2610   | 2810   | 3450    | 3410       |

\* Includes cylinder, piping and pin, excludes boom cylinder pin

**DIMENSIONS**

|             |      | EC250E |         |         |        |         | EC300E  |         |         |        |        |
|-------------|------|--------|---------|---------|--------|---------|---------|---------|---------|--------|--------|
| Description | Unit | 2.5 HD | 2.97 GP | 2.97 HD | 3.6 GP | 7.85 LR | 2.55 HD | 3.05 GP | 3.05 HD | 3.7 GP | 7.9 LR |
| Arm         | m    |        |         |         |        |         |         |         |         |        |        |
| Length      | mm   | 3590   | 4060    | 4060    | 4730   | 9000    | 3710    | 4150    | 4150    | 4800   | 9050   |
| Height      | mm   | 1000   | 1000    | 1000    | 1000   | 900     | 1010    | 1010    | 1010    | 1050   | 1050   |
| Width       | mm   | 500    | 500     | 500     | 500    | 480     | 545     | 545     | 545     | 545    | 450    |
| Weight      | kg   | 1360   | 1340    | 1430    | 1470   | 1720    | 1530    | 1530    | 1590    | 1660   | 1730   |

\* Includes cylinder, linkage and pin

# Specifications

## WORKING RANGES

| Description                          | Unit | EC250EL and EC250ENL |        |        |              |        |        | EC250ELR |
|--------------------------------------|------|----------------------|--------|--------|--------------|--------|--------|----------|
| Boom                                 | m    | 6.0                  |        |        | 5.95 2-piece |        |        | 10.2     |
| Arm                                  | m    | 2.5                  | 2.97   | 3.6    | 2.5          | 2.97   | 3.6    | 7.85     |
| A. Max. digging reach                | mm   | 9 960                | 10 340 | 10 810 | 9 970        | 10 370 | 10 860 | 18 300   |
| B. Max. digging reach on ground      | mm   | 9 770                | 10 160 | 10 640 | 9 790        | 10 190 | 10 690 | 18 200   |
| C. Max. digging depth                | mm   | 6 590                | 7 060  | 7 690  | 6 120        | 6 560  | 7 130  | 14 350   |
| D. Max. digging depth (2.44 m level) | mm   | 6 370                | 6 850  | 7 470  | 6 020        | 6 460  | 7 040  | 14 230   |
| E. Max. vertical wall digging depth  | mm   | 5 800                | 6 070  | 6 390  | 5 210        | 5 600  | 6 100  | 12 930   |
| F. Max. cutting height               | mm   | 9 620                | 9 690  | 9 650  | 11 140       | 11 390 | 11 630 | 14 890   |
| G. Max. dumping height               | mm   | 6 610                | 6 710  | 6 730  | 7 930        | 8 190  | 8 450  | 12 580   |
| H. Min. front swing radius           | mm   | 3 910                | 3 890  | 3 890  | 2 780        | 2 550  | 2 710  | 5 720    |

## DIGGING FORCES WITH DIRECT FIT BUCKET

|                            |             |           |       |       |       |       |       |       |       |      |
|----------------------------|-------------|-----------|-------|-------|-------|-------|-------|-------|-------|------|
| Bucket radius              | mm          | 1 537     | 1 537 | 1 537 | 1 537 | 1 537 | 1 537 | 1 537 | 1 537 |      |
| Breakout force - bucket    | Normal      | SAE J1179 | kN    | 152   | 152   | 152   | 152   | 152   | 152   | 68.6 |
|                            | Power boost | SAE J1179 | kN    | 166   | 166   | 166   | 166   | 166   | 166   | -    |
|                            | Normal      | ISO 6015  | kN    | 171   | 171   | 171   | 171   | 171   | 171   | 77.8 |
|                            | Power boost | ISO 6015  | kN    | 186   | 186   | 186   | 186   | 186   | 186   | -    |
| Tearout force - dipper arm | Normal      | SAE J1179 | kN    | 133   | 115   | 103   | 133   | 115   | 103   | 44.1 |
|                            | Power boost | SAE J1179 | kN    | 145   | 125   | 112   | 145   | 125   | 112   | -    |
|                            | Normal      | ISO 6015  | kN    | 137   | 118   | 105   | 137   | 118   | 105   | 44.7 |
|                            | Power boost | ISO 6015  | kN    | 149   | 129   | 114   | 149   | 129   | 114   | -    |
| Rotation angle, bucket     | °           | 178       | 178   | 178   | 178   | 178   | 178   | 178   | 178   |      |

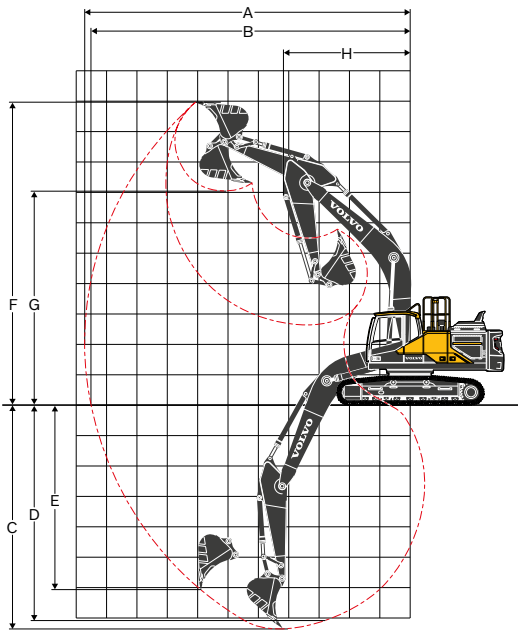
## WORKING RANGES

| Description                          | Unit | EC300EL and EC300ENL |        |        |             |        |        | EC300ELR |
|--------------------------------------|------|----------------------|--------|--------|-------------|--------|--------|----------|
| Boom                                 | m    | 6.2                  |        |        | 6.2 2-piece |        |        | 10.2     |
| Arm                                  | m    | 2.55                 | 3.05   | 3.7    | 2.55        | 3.05   | 3.7    | 7.9      |
| A. Max. digging reach                | mm   | 10 180               | 10 710 | 11 310 | 10 250      | 10 780 | 11 390 | 18 590   |
| B. Max. digging reach on ground      | mm   | 9 970                | 10 520 | 11 130 | 10 040      | 10 580 | 11 210 | 18 480   |
| C. Max. digging depth                | mm   | 6 840                | 7 340  | 7 990  | 6 210       | 6 730  | 7 370  | 14 750   |
| D. Max. digging depth (2.44 m level) | mm   | 6 600                | 7 150  | 7 830  | 6 100       | 6 630  | 7 280  | 14 650   |
| E. Max. vertical wall digging depth  | mm   | 5 320                | 6 080  | 6 680  | 5 040       | 5 630  | 6 240  | 13 630   |
| F. Max. cutting height               | mm   | 9 560                | 9 980  | 10 260 | 11 550      | 12 070 | 12 570 | 14 940   |
| G. Max. dumping height               | mm   | 6 680                | 7 040  | 7 330  | 8 360       | 8 850  | 9 360  | 12 600   |
| H. Min. front swing radius           | mm   | 4 220                | 4 180  | 4 240  | 2 750       | 2 580  | 2 770  | 6 190    |

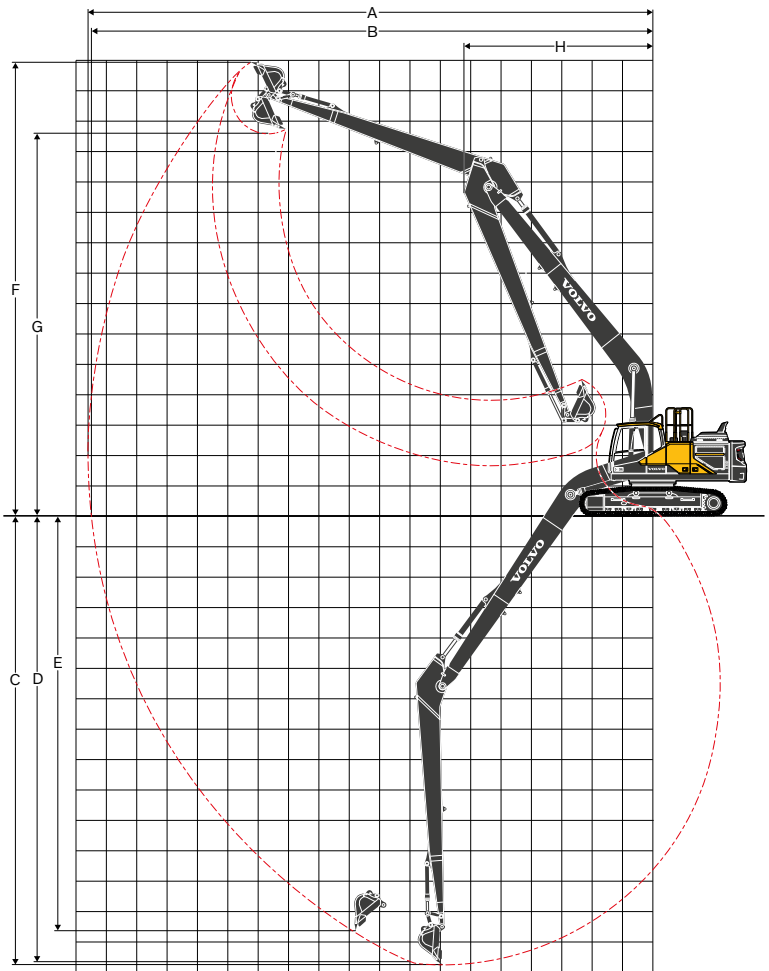
## DIGGING FORCES WITH DIRECT FIT BUCKET

|                            |             |           |       |       |       |       |       |       |       |      |
|----------------------------|-------------|-----------|-------|-------|-------|-------|-------|-------|-------|------|
| Bucket radius              | mm          | 1 600     | 1 600 | 1 600 | 1 600 | 1 600 | 1 600 | 1 600 | 1 600 |      |
| Breakout force - bucket    | Normal      | SAE J1179 | kN    | 168   | 168   | 168   | 168   | 168   | 168   | 69.1 |
|                            | Power boost | SAE J1179 | kN    | 182   | 182   | 182   | 182   | 182   | 182   | -    |
|                            | Normal      | ISO 6015  | kN    | 188   | 188   | 188   | 188   | 188   | 188   | 80.3 |
|                            | Power boost | ISO 6015  | kN    | 205   | 205   | 205   | 205   | 205   | 205   | -    |
| Tearout force - dipper arm | Normal      | SAE J1179 | kN    | 157   | 132   | 115   | 157   | 132   | 115   | 51.3 |
|                            | Power boost | SAE J1179 | kN    | 170   | 143   | 125   | 170   | 143   | 125   | -    |
|                            | Normal      | ISO 6015  | kN    | 161   | 135   | 118   | 161   | 135   | 118   | 51.8 |
|                            | Power boost | ISO 6015  | kN    | 176   | 147   | 128   | 176   | 147   | 128   | -    |
| Rotation angle, bucket     | °           | 179       | 179   | 179   | 179   | 179   | 179   | 179   | 179   |      |

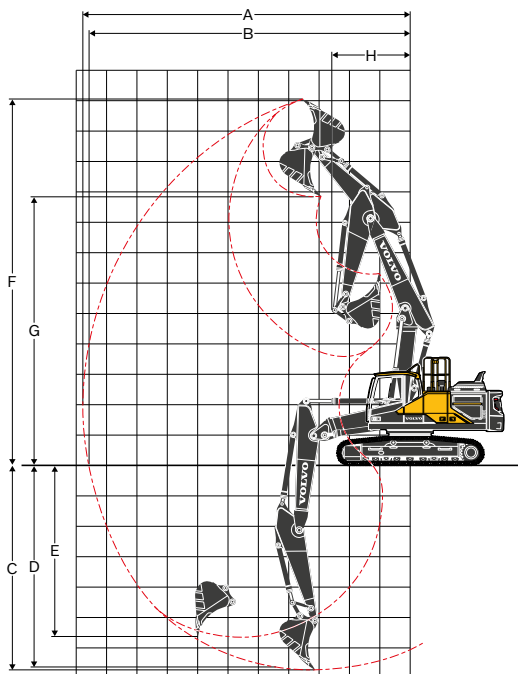
**MACHINE WITH MONO BOOM**



**MACHINE LONG-REACH BOOM**



**MACHINE WITH 2-PIECE BOOM**



# Specifications

## BUCKET SELECTION GUIDE

| Bucket type        |                 | Capacity | Cutting width | Weight | Teeth | EC250ELC                          |    |    |                                   |      |       |
|--------------------|-----------------|----------|---------------|--------|-------|-----------------------------------|----|----|-----------------------------------|------|-------|
|                    |                 |          |               |        |       | 6.0m Boom                         |    |    | 5.95m 2 piece Boom                |      |       |
|                    |                 |          |               |        |       | 600mm shoe, 4 950kg counterweight |    |    | 600mm shoe, 4 950kg counterweight |      |       |
|                    |                 |          |               |        |       | m3                                | mm | kg | EA                                | 2.5m | 2.97m |
| Direct fit Buckets | General purpose | 0.56     | 600           | 800    | 3     | C                                 | C  | C  | C                                 | C    | C     |
|                    |                 | 0.62     | 750           | 823    | 3     | C                                 | C  | C  | C                                 | C    | C     |
|                    |                 | 0.95     | 1050          | 1005   | 4     | C                                 | C  | C  | C                                 | C    | C     |
|                    |                 | 1.32     | 1350          | 1196   | 5     | C                                 | C  | C  | C                                 | C    | C     |
|                    |                 | 1.45     | 1450          | 1249   | 5     | C                                 | C  | C  | C                                 | C    | C     |
|                    |                 | 1.51     | 1500          | 1294   | 5     | C                                 | C  | C  | C                                 | C    | B     |
|                    |                 | 1.76     | 1700          | 1435   | 6     | C                                 | B  | B  | C                                 | B    | A     |
|                    | Heavy duty      | 0.62     | 750           | 888    | 3     | D                                 | D  | D  | D                                 | D    | D     |
|                    |                 | 1.14     | 1200          | 1287   | 5     | D                                 | D  | D  | D                                 | D    | D     |
|                    |                 | 1.32     | 1350          | 1372   | 5     | D                                 | D  | D  | D                                 | D    | C     |
|                    |                 | 1.51     | 1500          | 1469   | 5     | D                                 | C  | B  | D                                 | C    | B     |
|                    |                 | 1.51     | 1500          | 1402   | 5     | D                                 | D  | B  | D                                 | C    | B     |

| Bucket type        |                 | Capacity | Cutting width | Weight | Teeth | EC250ENL                          |    |    |                                   |      |       |
|--------------------|-----------------|----------|---------------|--------|-------|-----------------------------------|----|----|-----------------------------------|------|-------|
|                    |                 |          |               |        |       | 6.0m Boom                         |    |    | 5.95m 2 piece Boom                |      |       |
|                    |                 |          |               |        |       | 600mm shoe, 4 950kg counterweight |    |    | 600mm shoe, 4 950kg counterweight |      |       |
|                    |                 |          |               |        |       | m3                                | mm | kg | EA                                | 2.5m | 2.97m |
| Direct fit Buckets | General purpose | 0.56     | 600           | 800    | 3     | C                                 | C  | C  | C                                 | C    | C     |
|                    |                 | 0.62     | 750           | 823    | 3     | C                                 | C  | C  | C                                 | C    | C     |
|                    |                 | 0.95     | 1050          | 1005   | 4     | C                                 | C  | C  | C                                 | C    | C     |
|                    |                 | 1.32     | 1350          | 1196   | 5     | C                                 | C  | C  | C                                 | C    | C     |
|                    |                 | 1.45     | 1450          | 1249   | 5     | C                                 | C  | B  | C                                 | C    | B     |
|                    |                 | 1.51     | 1500          | 1294   | 5     | C                                 | C  | B  | C                                 | B    | B     |
|                    |                 | 1.76     | 1700          | 1435   | 6     | B                                 | B  | A  | B                                 | A    | X     |
|                    | Heavy duty      | 0.62     | 750           | 888    | 3     | D                                 | D  | D  | D                                 | D    | D     |
|                    |                 | 1.14     | 1200          | 1287   | 5     | D                                 | D  | D  | D                                 | D    | D     |
|                    |                 | 1.32     | 1350          | 1372   | 5     | D                                 | D  | B  | D                                 | C    | B     |
|                    |                 | 1.51     | 1500          | 1469   | 5     | C                                 | B  | B  | C                                 | B    | A     |
|                    |                 | 1.51     | 1500          | 1402   | 5     | C                                 | B  | B  | C                                 | B    | A     |

| Bucket type        |                 | Capacity | Cutting width | Weight | Teeth | EC300ELC                          |    |    |                                   |       |       |
|--------------------|-----------------|----------|---------------|--------|-------|-----------------------------------|----|----|-----------------------------------|-------|-------|
|                    |                 |          |               |        |       | 6.2m Boom                         |    |    | 6.2m 2 piece Boom                 |       |       |
|                    |                 |          |               |        |       | 600mm shoe, 5 500kg counterweight |    |    | 600mm shoe, 5 500kg counterweight |       |       |
|                    |                 |          |               |        |       | m3                                | mm | kg | EA                                | 2.55m | 3.05m |
| Direct fit Buckets | General purpose | 0.55     | 600           | 823    | 3     | D                                 | D  | D  | D                                 | D     | D     |
|                    |                 | 0.66     | 750           | 869    | 3     | D                                 | D  | D  | D                                 | D     | D     |
|                    |                 | 0.95     | 1050          | 1018   | 4     | D                                 | D  | D  | D                                 | D     | D     |
|                    |                 | 1.32     | 1350          | 1209   | 5     | D                                 | D  | D  | D                                 | D     | D     |
|                    |                 | 1.45     | 1450          | 1263   | 5     | D                                 | D  | C  | D                                 | D     | C     |
|                    |                 | 1.51     | 1500          | 1307   | 5     | D                                 | D  | C  | D                                 | D     | B     |
|                    |                 | 1.76     | 1700          | 1448   | 6     | C                                 | B  | A  | C                                 | B     | A     |
|                    | Heavy duty      | 2.06     | 1950          | 1590   | 6     | B                                 | A  | X  | B                                 | A     | X     |
|                    |                 | 0.66     | 750           | 1000   | 3     | D                                 | D  | D  | D                                 | D     | D     |
|                    |                 | 0.66     | 750           | 992    | 3     | D                                 | D  | D  | D                                 | D     | D     |
|                    |                 | 1.14     | 1200          | 1294   | 5     | D                                 | D  | D  | D                                 | D     | D     |
|                    |                 | 1.32     | 1350          | 1381   | 5     | D                                 | D  | D  | D                                 | D     | C     |
|                    |                 | 1.51     | 1500          | 1476   | 5     | D                                 | D  | B  | D                                 | C     | B     |
|                    |                 | 1.51     | 1500          | 1409   | 5     | D                                 | D  | B  | D                                 | C     | B     |

| Bucket type        |                 | Capacity | Cutting width | Weight | Teeth | EC300ENL                          |    |    |                                   |       |       |
|--------------------|-----------------|----------|---------------|--------|-------|-----------------------------------|----|----|-----------------------------------|-------|-------|
|                    |                 |          |               |        |       | 6.2m Boom                         |    |    | 6.2m 2 piece Boom                 |       |       |
|                    |                 |          |               |        |       | 600mm shoe, 5 500kg counterweight |    |    | 600mm shoe, 5 500kg counterweight |       |       |
|                    |                 |          |               |        |       | m3                                | mm | kg | EA                                | 2.55m | 3.05m |
| Direct fit Buckets | General purpose | 0.55     | 600           | 823    | 3     | D                                 | D  | D  | D                                 | D     | D     |
|                    |                 | 0.66     | 750           | 869    | 3     | D                                 | D  | D  | D                                 | D     | D     |
|                    |                 | 0.95     | 1050          | 1018   | 4     | D                                 | D  | D  | D                                 | D     | D     |
|                    |                 | 1.32     | 1350          | 1209   | 5     | D                                 | D  | C  | D                                 | D     | B     |
|                    |                 | 1.45     | 1450          | 1263   | 5     | D                                 | C  | B  | D                                 | C     | B     |
|                    |                 | 1.51     | 1500          | 1307   | 5     | D                                 | C  | B  | D                                 | B     | B     |
|                    |                 | 1.76     | 1700          | 1448   | 6     | B                                 | B  | X  | B                                 | A     | X     |
|                    | Heavy duty      | 2.06     | 1950          | 1590   | 6     | A                                 | X  | X  | A                                 | X     | X     |
|                    |                 | 0.66     | 750           | 1000   | 3     | D                                 | D  | D  | D                                 | D     | D     |
|                    |                 | 0.66     | 750           | 992    | 3     | D                                 | D  | D  | D                                 | D     | D     |
|                    |                 | 1.14     | 1200          | 1294   | 5     | D                                 | D  | D  | D                                 | D     | C     |
|                    |                 | 1.32     | 1350          | 1381   | 5     | D                                 | D  | B  | D                                 | C     | B     |
|                    |                 | 1.51     | 1500          | 1476   | 5     | C                                 | B  | A  | C                                 | B     | A     |
|                    |                 | 1.51     | 1500          | 1409   | 5     | D                                 | C  | B  | C                                 | B     | A     |

\*For long reach boom and arm configuration, Volvo recommends to use 0.52cum bucket for EC250E and 0.57cum bucket for EC300E. Please consult with your Volvo dealer for the proper match of buckets and attachments to suit the application. The recommendations are given as a guide only, based on typical operation conditions. Bucket capacity based on ISO 7451, heaped material with a 1:1 angle of repose.

X: Not recommended  
**Maximum material density**  
 A 1200~1300 kg/m<sup>3</sup> Coal, Caliche, Shale  
 B 1400~1600 kg/m<sup>3</sup> Wet earth and clay, Limestone, Sandstone  
 C 1700~1800 kg/m<sup>3</sup> Granite, Wet sand, Well blasted rock  
 D 1900 kg/m<sup>3</sup> ~ Wet mud, Iron ore

**LIFTING CAPACITY EC250EL**

Lifting capacity at the arm end without bucket.

For lifting capacity including bucket, simply subtract actual weight of the direct fit bucket or the bucket with quick coupler from the following values.

|  | Lifting hook related to ground level                                | 1.5 m    |           | 3.0 m    |           | 4.5 m    |           | 6.0 m    |           | 7.5 m    |           | 9.0 m    |           | Max. reach |           |       |
|--|---|----------|-----------|----------|-----------|----------|-----------|----------|-----------|----------|-----------|----------|-----------|------------|-----------|-------|
|  |   | Along UC | Across UC | Along UC | Across UC | Along UC | Across UC | Along UC | Across UC | Along UC | Across UC | Along UC | Across UC | Along UC   | Across UC | m     |
| Boom : 6.0m<br>Arm : 2.5m<br>Shoe : 600mm<br>CWT : 4 250kg           | 7.5 m kg  |          |           |          |           |          |           | *6 740   | *6 740    |          |           |          |           | *6 800     | 6 640     | 6.1   |
|  | 6.0 m kg  |          |           |          |           |          |           | *6 750   | *6 750    |          |           |          |           | *6 790     | 4 990     | 7.2   |
|  | 4.5 m kg  |          |           |          |           | *9 130   | *9 130    | *7 590   | 6 570     | *6 960   | 4 620     |          |           | 6 370      | 4 220     | 7.9   |
|  | 3.0 m kg  |          |           |          |           | *11 820  | 9 490     | *8 790   | 6 240     | 6 800    | 4 480     |          |           | 5 840      | 3 850     | 8.3   |
|  | 1.5 m kg  |          |           |          |           | *13 910  | 8 920     | 9 320    | 5 940     | 6 640    | 4 330     |          |           | 5 680      | 3 710     | 8.3   |
|  | 0.0 m kg  |          |           |          |           | 14 630   | 8 700     | 9 110    | 5 760     | 6 530    | 4 230     |          |           | 5 830      | 3 800     | 8.1   |
|  | -1.5 m kg   |          |           | *10 400  | *10 400   | *14 500  | 8 680     | 9 050    | 5 700     | 6 520    | 4 220     |          |           | 6 400      | 4 150     | 7.6   |
|  | -3.0 m kg   |          |           | *18 550  | 17 800    | *13 430  | 8 810     | 9 140    | 5 780     |          |           |          |           | 7 760      | 4 990     | 6.7   |
|  | -4.5 m kg   |          |           | *14 840  | *14 840   | *10 810  | 9 130     |          |           |          |           |          |           | *8 990     | 7 290     | 5.3   |
|  | 7.5 m kg  |          |           |          |           |          |           |          |           |          |           |          |           | *6 060     | 5 930     | 6.6   |
| Boom : 6.0m<br>Arm : 2.97m<br>Shoe : 600mm<br>CWT : 4 250kg          | 6.0 m kg  |          |           |          |           |          |           | *6 200   | *6 200    | *6 270   | 4 800     |          |           | *5 810     | 4 610     | 7.7   |
|  | 4.5 m kg  |          |           |          |           | *8 280   | *8 280    | *7 090   | 6 700     | *6 560   | 4 710     |          |           | *5 830     | 3 970     | 8.3   |
|  | 3.0 m kg  |          |           |          |           | *10 990  | 9 750     | *8 360   | 6 360     | 6 880    | 4 550     |          |           | 5 500      | 3 630     | 8.6   |
|  | 1.5 m kg  |          |           |          |           | *13 350  | 9 100     | 9 420    | 6 030     | 6 700    | 4 380     |          |           | 5 350      | 3 510     | 8.7   |
|  | 0.0 m kg  |          |           |          |           | *14 550  | 8 780     | 9 180    | 5 810     | 6 560    | 4 260     |          |           | 5 470      | 3 570     | 8.5   |
|  | -1.5 m kg   | *6 630   | *6 630    | *10 650  | *10 650   | 14 630   | 8 700     | 9 070    | 5 720     | 6 510    | 4 210     |          |           | 5 930      | 3 850     | 8.0   |
|  | -3.0 m kg   | *12 330  | *12 330   | *17 750  | 17 660    | *13 950  | 8 780     | 9 100    | 5 750     |          |           |          |           | 6 990      | 4 520     | 7.2   |
|  | -4.5 m kg   |          |           | *16 670  | *16 670   | *11 940  | 9 020     |          |           |          |           |          |           | *8 870     | 6 180     | 5.8   |
|  | 7.5 m kg  |          |           |          |           |          |           |          |           |          |           |          |           | *5 010     | *5 010    | 7.2   |
|  | Boom : 6.0m<br>Arm : 3.6m<br>Shoe : 600mm<br>CWT : 4 250kg          | 6.0 m kg |           |          |           |          |           |          |           |          | *5 510    | 4 880    |           |            | *4 860    | 4 160 |
| 4.5 m kg   |   |          |           |          |           |          |           | *6 280   | *6 280    | *5 920   | 4 750     |          |           | *4 920     | 3 610     | 8.8   |
| 3.0 m kg   |   |          |           | *15 520  | *15 520   | *9 660   | *9 660    | *7 590   | 6 430     | *6 610   | 4 560     | 5 160    | 3 400     | 5 040      | 3 320     | 9.1   |
| 1.5 m kg   |   |          |           |          |           | *12 290  | 9 200     | *8 960   | 6 050     | 6 690    | 4 360     |          |           | 4 900      | 3 200     | 9.2   |
| 0.0 m kg   |   |          |           | *7 030   | *7 030    | *13 960  | 8 730     | 9 140    | 5 770     | 6 510    | 4 200     |          |           | 4 980      | 3 230     | 9.0   |
| -1.5 m kg  |   | *6 770   | *6 770    | *10 770  | *10 770   | 14 470   | 8 550     | 8 970    | 5 620     | 6 410    | 4 110     |          |           | 5 340      | 3 450     | 8.5   |
| -3.0 m kg  |   | *11 010  | *11 010   | *15 970  | *15 970   | *14 250  | 8 560     | 8 940    | 5 600     | 6 420    | 4 120     |          |           | 6 140      | 3 950     | 7.7   |
| -4.5 m kg  |   | *16 320  | *16 320   | *18 450  | 17 590    | *12 870  | 8 740     | 9 090    | 5 720     |          |           |          |           | 8 010      | 5 100     | 6.5   |
| -6.0 m kg  |   |          |           |          |           | *9 380   | 9 170     |          |           |          |           |          |           | *9 300     | 9 080     | 4.5   |
| 7.5 m kg   |   |          |           |          |           |          |           |          |           |          |           |          |           | *6 800     | *6 800    | 6.1   |
| Boom : 6.0m<br>Arm : 2.5m<br>Shoe : 600mm<br>CWT : 4 950kg           | 6.0 m kg  |          |           |          |           |          |           | *6 750   | *6 750    |          |           |          |           | *6 790     | 5 360     | 7.2   |
|  | 4.5 m kg  |          |           |          |           | *9 130   | *9 130    | *7 590   | 7 040     | *6 960   | 4 970     |          |           | 6 780      | 4 550     | 7.9   |
|  | 3.0 m kg  |          |           |          |           | *11 820  | 10 190    | *8 790   | 6 710     | 7 240    | 4 830     |          |           | 6 230      | 4 160     | 8.3   |
|  | 1.5 m kg  |          |           |          |           | *13 910  | 9 610     | 9 920    | 6 410     | 7 080    | 4 680     |          |           | 6 060      | 4 030     | 8.3   |
|  | 0.0 m kg  |          |           |          |           | *14 690  | 9 390     | 9 710    | 6 220     | 6 970    | 4 580     |          |           | 6 230      | 4 120     | 8.1   |
|  | -1.5 m kg   |          |           | *10 400  | *10 400   | *14 500  | 9 380     | 9 650    | 6 170     | 6 960    | 4 570     |          |           | 6 830      | 4 490     | 7.6   |
|  | -3.0 m kg   |          |           | *18 550  | *18 550   | *13 430  | 9 500     | 9 740    | 6 250     |          |           |          |           | 8 270      | 5 390     | 6.7   |
|  | -4.5 m kg   |          |           | *14 840  | *14 840   | *10 810  | 9 820     |          |           |          |           |          |           | *8 990     | 7 850     | 5.3   |
|  | 7.5 m kg  |          |           |          |           |          |           |          |           |          |           |          |           | *6 060     | *6 060    | 6.6   |
|  | Boom : 6.0m<br>Arm : 2.97m<br>Shoe : 600mm<br>CWT : 4 950kg         | 6.0 m kg |           |          |           |          |           |          | *6 200    | *6 200   | *6 270    | 5 160    |           |            | *5 810    | 4 960 |
| 4.5 m kg   |   |          |           |          |           | *8 280   | *8 280    | *7 090   | *7 090    | *6 560   | 5 060     |          |           | *5 830     | 4 280     | 8.3   |
| 3.0 m kg   |   |          |           |          |           | *10 990  | 10 450    | *8 360   | 6 830     | *7 170   | 4 900     |          |           | 5 860      | 3 930     | 8.6   |
| 1.5 m kg   |   |          |           |          |           | *13 350  | 9 790     | *9 610   | 6 500     | 7 140    | 4 740     |          |           | 5 710      | 3 810     | 8.7   |
| 0.0 m kg   |   |          |           |          |           | *14 550  | 9 470     | 9 780    | 6 280     | 7 000    | 4 610     |          |           | 5 840      | 3 870     | 8.5   |
| -1.5 m kg  |   | *6 630   | *6 630    | *10 650  | *10 650   | *14 700  | 9 390     | 9 670    | 6 190     | 6 950    | 4 560     |          |           | 6 330      | 4 180     | 8.0   |
| -3.0 m kg  |   | *12 330  | *12 330   | *17 750  | *17 750   | *13 950  | 9 470     | 9 700    | 6 220     |          |           |          |           | 7 460      | 4 890     | 7.2   |
| -4.5 m kg  |   |          |           | *16 670  | *16 670   | *11 940  | 9 710     |          |           |          |           |          |           | *8 870     | 6 660     | 5.8   |
| 7.5 m kg   |   |          |           |          |           |          |           |          |           |          |           |          |           | *5 010     | *5 010    | 7.2   |
| Boom : 6.0m<br>Arm : 3.6m<br>Shoe : 600mm<br>CWT : 4 950kg           |   | 6.0 m kg |           |          |           |          |           |          |           |          | *5 510    | 5 230    |           |            | *4 860    | 4 480 |
|  | 4.5 m kg  |          |           |          |           |          |           | *6 280   | *6 280    | *5 920   | 5 100     |          |           | *4 920     | 3 910     | 8.8   |
|  | 3.0 m kg  |          |           | *15 520  | *15 520   | *9 660   | *9 660    | *7 590   | 6 890     | *6 610   | 4 910     | 5 500    | 3 680     | *5 140     | 3 600     | 9.1   |
|  | 1.5 m kg  |          |           |          |           | *12 290  | 9 890     | *8 960   | 6 520     | 7 130    | 4 720     | 5 400    | 3 590     | 5 240      | 3 480     | 9.2   |
|  | 0.0 m kg  |          |           | *7 030   | *7 030    | *13 960  | 9 420     | 9 740    | 6 240     | 6 950    | 4 550     |          |           | 5 330      | 3 520     | 9.0   |
|  | -1.5 m kg   | *6 770   | *6 770    | *10 770  | *10 770   | *14 560  | 9 240     | 9 570    | 6 090     | 6 850    | 4 460     |          |           | 5 710      | 3 750     | 8.5   |
|  | -3.0 m kg   | *11 010  | *11 010   | *15 970  | *15 970   | *14 250  | 9 250     | 9 540    | 6 060     | 6 860    | 4 470     |          |           | 6 560      | 4 290     | 7.7   |
|  | -4.5 m kg   | *16 320  | *16 320   | *18 450  | *18 450   | *12 870  | 9 430     | *9 500   | 6 190     |          |           |          |           | *8 500     | 5 520     | 6.5   |
|  | -6.0 m kg   |          |           |          |           | *9 380   | *9 380    |          |           |          |           |          |           | *9 300     | *9 300    | 4.5   |
|  | 7.5 m kg  |          |           |          |           |          |           |          |           |          |           |          |           | *9 630     | *9 630    | 4.2   |
| Boom : 5.95m<br>2pcs<br>Arm : 2.5m<br>Shoe : 600mm<br>CWT : 4 950kg  | 6.0 m kg  |          |           |          |           | *9 800   | *9 800    | *8 630   | 7 300     |          |           |          |           | *8 020     | 7 020     | 6.1   |
|  | 4.5 m kg  |          |           |          |           | *10 040  | *10 040   | *9 000   | 7 270     |          |           |          |           | *7 500     | 5 280     | 7.3   |
|  | 3.0 m kg  |          |           |          |           | *12 130  | 10 960    | *9 580   | 7 000     | 7 380    | 4 920     |          |           | 6 730      | 4 480     | 7.9   |
|  | 1.5 m kg  |          |           |          |           | *13 920  | 10 120    | 10 250   | 6 650     | 7 220    | 4 770     |          |           | 6 180      | 4 090     | 8.3   |
|  | 0.0 m kg  |          |           |          |           | *14 680  | 9 510     | 9 890    | 6 340     | 7 060    | 4 620     |          |           | 6 020      | 3 960     | 8.3   |
|  | -1.5 m kg   |          |           |          |           | *14 010  | 9 280     | 9 680    | 6 150     | 6 950    | 4 520     |          |           | 6 200      | 4 060     | 8.1   |
|  | -3.0 m kg   |          |           | *10 190  | *10 190   | *12 290  | 9 280     | *9 530   | 6 100     | 6 950    | 4 530     |          |           | *6 730     | 4 440     | 7.6   |
|  | -4.5 m kg   |          |           |          |           | *9 460   | 9 440     | *7 270   | 6 210     |          |           |          |           | *5 810     | 5 350     | 6.7   |
|  | 7.5 m kg  |          |           |          |           | *7 870   | *7 870    |          |           |          |           |          |           | *6 870     | *6 870    | 5.0   |
|  | 6.0 m kg  |          |           |          |           | *7 790   | *7 790    | *7 480   | 7 460     |          |           |          |           | *5 950     | *5 950    | 6.7   |
| Boom : 5.95m<br>2pcs<br>Arm : 2.97m<br>Shoe : 600mm<br>CWT : 4 950kg | 4.5 m kg  |          |           |          |           | *7 970   | *7 970    | *8 290   | 7 370     | *6 510   | 5 070     |          |           | *5 640     | 4 830     | 7.7   |
|  | 3.0 m kg  |          |           | *16 300  | *16 300   | *11 420  | 11 190    | *9 170   | 7 090     | 7 440    | 4 970     |          |           | *5 610     | 4 150     | 8.3   |
|  | 1.5 m kg  |          |           |          |           | *13 340  | 10 320    | *10 000  | 6 720     | 7 260    | 4 800     |          |           | 5 760      | 3 810     | 8.7   |
|  | 0.0 m kg  |          |           |          |           | *14 520  | 9 610     | 9 940    | 6 370     | 7 060    | 4 620     |          |           | 5 610      | 3 690     | 8.7   |
|  | -1.5 m kg   |          |           |          |           | *14 330  | 9 270     | 9 670    | 6 140     | 6 920    | 4 500     |          |           | 5 740      | 3 760     | 8.5   |
|  | -3.0 m kg   |          |           | *10 460  | *10 460   | *12 980  | 9 200     | 9 570    | 6 050     | 6 870    | 4 450     |          |           | 6 240      | 4 070     | 8.0   |
|  | -4.5 m kg   |          |           |          |           | *10 530  | 9 300     | *8 100   | 6 100     |          |           |          |           | *5 940     | 4 780     | 7.2   |
|  | 9.0 m kg  |          |           |          |           |          |           |          |           |          |           |          |           | *5 480     | *5 480    | 5.8   |
|  | 7.5 m kg  |          |           |          |           |          |           | *6 440   | *6 440    |          |           |          |           | *4 930     | *4 930    | 7.3   |
|  | Boom : 5.95m<br>2pcs<br>Arm : 3.6m<br>Shoe : 600mm<br>CWT : 4 950kg | 6.0 m kg |           |          |           |          | *6 330    | *6 330   | *6 810    | *6 810   | *6 270    | 5 200    |           |            | *4 740    | 4 380 |
| 4.5 m kg   |   |          |           | *7 590   | *7 590    | *8 150   | *8 150    | *8 070   | 7 260     | *7 360   | 5 070     |          |           | *4 750     | 3 820     | 8.9   |
| 3.0 m kg   |   |          |           |          |           | *12 470  | 10 640    | *9 530   | 6 860     | 7 340    | 4 870     | 5 480    | 3 630     | *4 930     | 3 520     | 9.2   |
| 1.5 m kg   |   |          |           |          |           | *14 110  | 9 810     | 10 040   | 6 460     | 7 110    | 4 660     | 5 380    | 3 540     | 5 180      | 3 400     | 9.2   |
| 0.0 m kg   |   |          |           | *6 840   | *6 840    | *14 510  | 9 320     | 9 710    | 6 160     | 6 930    | 4 500     | 5 300    | 3 460     | 5 270      | 3 440     | 9.0   |
| -1.5 m kg  |   |          |           | *10 600  | *10 600   | *13 690  | 9 140     | 9 540    | 6 010     | 6 830    | 4 410     |          |           | 5 650      | 3 680     | 8.6   |
| -3.0 m kg  |   |          |           | *15 440  | *15 440   | *11 750  | 9 170     | *8 950   | 6 000     | *6 590   | 4 430     |          |           | *6 050     | 4 210     | 7.8   |
| -4.5 m kg  |   |          |           |          |           |          |           |          |           |          |           |          |           |            |           | 6.6   |

Notes: 1. Machine in "Fine Mode-F" (Power Boost) for lifting capacities. 2. The above loads are in compliance with SAE J1097 and ISO 10567 Hydraulic Excavator Lifting Capacity Standards. 3. Rated loads do not exceed 87% of hydraulic lifting capacity or 75% of tipping load. 4. Rated loads marked with an asterisk (\*) are limited by hydraulic capacity rather than tipping load.

# Specifications

## LIFTING CAPACITY EC250ENL

Lifting capacity at the arm end without bucket.

For lifting capacity including bucket, simply subtract actual weight of the direct fit bucket or the bucket with quick coupler from the following values.

|  | Lifting hook related to ground level | 1.5 m    |           | 3.0 m    |           | 4.5 m    |           | 6.0 m    |           | 7.5 m    |           | 9.0 m    |           | Max. reach |           |     |
|--|--------------------------------------|----------|-----------|----------|-----------|----------|-----------|----------|-----------|----------|-----------|----------|-----------|------------|-----------|-----|
|  |                                      | Along UC | Across UC | Along UC | Across UC | Along UC | Across UC | Along UC | Across UC | Along UC | Across UC | Along UC | Across UC | Along UC   | Across UC | m   |
| Boom : 6.0m<br>Arm : 2.5m<br>Shoe : 600mm<br>CWT : 4 250kg | 7.5 m kg                             |          |           |          |           |          |           | *6 740   | 6 320     |          |           |          |           | *6 800     | 6 100     | 6.1 |
|  | 6.0 m kg                             |          |           |          |           |          |           | *6 750   | 6 270     |          |           |          |           | *6 790     | 4 580     | 7.2 |
|  | 4.5 m kg                             |          |           |          |           | *9 130   | *9 130    | *7 590   | 6 020     | 6 940    | 4 230     |          |           | 6 350      | 3 870     | 7.9 |
|  | 3.0 m kg                             |          |           |          |           | *11 820  | 8 590     | *8 790   | 5 690     | 6 780    | 4 090     |          |           | 5 820      | 3 510     | 8.3 |
|  | 1.5 m kg                             |          |           |          |           | *13 910  | 8 040     | 9 290    | 5 400     | 6 620    | 3 950     |          |           | 5 660      | 3 390     | 8.3 |
|  | 0.0 m kg                             |          |           |          |           | 14 580   | 7 820     | 9 080    | 5 220     | 6 510    | 3 850     |          |           | 5 810      | 3 460     | 8.1 |
|  | -1.5 m kg                            |          |           | *10 400  | *10 400   | *14 500  | 7 810     | 9 020    | 5 170     | 6 500    | 3 840     |          |           | 6 380      | 3 770     | 7.6 |
|  | -3.0 m kg                            |          |           | *18 550  | 15 630    | *13 430  | 7 930     | 9 110    | 5 250     |          |           |          |           | 7 730      | 4 540     | 6.7 |
|  | -4.5 m kg                            |          |           | *14 840  | *14 840   | *10 810  | 8 240     |          |           |          |           |          |           | *8 990     | 6 620     | 5.3 |
|  | 7.5 m kg                             |          |           |          |           |          |           |          |           |          |           |          |           | *6 060     | 5 460     | 6.6 |
| 6.0 m kg   |                                      |          |           |          |           |          |           | *6 200   | *6 200    | *6 270   | 4 410     |          |           | *5 810     | 4 240     | 7.7 |
| 4.5 m kg   |                                      |          |           |          |           | *8 280   | *8 280    | *7 090   | 6 150     | *6 560   | 4 320     |          |           | *5 830     | 3 630     | 8.3 |
| 3.0 m kg   |                                      |          |           |          |           | *10 990  | 8 850     | *8 360   | 5 810     | 6 860    | 4 160     |          |           | 5 480      | 3 320     | 8.6 |
| 1.5 m kg   |                                      |          |           |          |           | *13 350  | 8 220     | 9 400    | 5 500     | 6 680    | 4 000     |          |           | 5 330      | 3 200     | 8.7 |
| 0.0 m kg   |                                      |          |           |          |           | *14 550  | 7 900     | 9 150    | 5 280     | 6 540    | 3 880     |          |           | 5 450      | 3 250     | 8.5 |
| -1.5 m kg  | *6 630                               | *6 630   | *10 650   | *10 650  | 14 580    | 7 830    | 9 040     | 5 190    | 6 490     | 3 830    |           |          | 5 910     | 3 510      | 8.0       |     |
| -3.0 m kg  | *12 330                              | *12 330  | *17 750   | 15 500   | *13 950   | 7 900    | 9 070     | 5 220    |           |          |           |          | 6 970     | 4 110      | 7.2       |     |
| -4.5 m kg  |                                      |          | *16 670   | 15 930   | *11 940   | 8 130    |           |          |           |          |           |          | *8 870    | 5 620      | 5.8       |     |
| 7.5 m kg   |                                      |          |           |          |           |          |           |          |           |          |           |          |           | *5 010     | 4 790     | 7.2 |
| 6.0 m kg   |                                      |          |           |          |           |          |           |          |           | *5 510   | 4 490     |          |           | *4 860     | 3 820     | 8.2 |
| 4.5 m kg   |                                      |          |           |          |           |          |           | *6 280   | 6 240     | *5 920   | 4 360     |          |           | *4 920     | 3 310     | 8.8 |
| 3.0 m kg   |                                      |          |           | *15 520  | *15 520   | *9 660   | 9 060     | *7 590   | 5 880     | *6 610   | 4 170     | 5 140    | 3 100     | 5 030      | 3 030     | 9.1 |
| 1.5 m kg   |                                      |          |           |          |           | *12 290  | 8 310     | *8 960   | 5 510     | 6 670    | 3 980     | 5 040    | 3 010     | 4 880      | 2 910     | 9.2 |
| 0.0 m kg   |                                      |          |           | *7 030   | *7 030    | *13 960  | 7 850     | 9 110    | 5 230     | 6 490    | 3 820     |          |           | 4 970      | 2 940     | 9.0 |
| -1.5 m kg  | *6 770                               | *6 770   | *10 770   | *10 770  | 14 420    | 7 680    | 8 940     | 5 080    | 6 390     | 3 730    |           |          | 5 320     | 3 130      | 8.5       |     |
| -3.0 m kg  | *11 010                              | *11 010  | *15 970   | 15 060   | *14 250   | 7 690    | 8 910     | 5 060    | 6 400     | 3 740    |           |          | 6 120     | 3 580      | 7.7       |     |
| -4.5 m kg  | *16 320                              | *16 320  | *18 450   | 15 430   | *12 870   | 7 860    | 9 060     | 5 190    |           |          |           |          | 7 980     | 4 630      | 6.5       |     |
| -6.0 m kg  |                                      |          |           |          |           | *9 380   | 8 280     |          |           |          |           |          |           | *9 300     | 8 200     | 4.5 |
| 7.5 m kg   |                                      |          |           |          |           |          |           | *6 740   | *6 740    |          |           |          |           | *6 800     | 6 540     | 6.1 |
| 6.0 m kg   |                                      |          |           |          |           |          |           | *6 750   | 6 720     |          |           |          |           | *6 790     | 4 930     | 7.2 |
| 4.5 m kg   |                                      |          |           |          |           | *9 130   | *9 130    | *7 590   | 6 470     | *6 960   | 4 570     |          |           | 6 760      | 4 180     | 7.9 |
| 3.0 m kg   |                                      |          |           |          |           | *11 820  | 9 250     | *8 790   | 6 140     | 7 220    | 4 430     |          |           | 6 210      | 3 820     | 8.3 |
| 1.5 m kg   |                                      |          |           |          |           | *13 910  | 8 690     | 9 890    | 5 850     | 7 060    | 4 290     |          |           | 6 040      | 3 690     | 8.3 |
| 0.0 m kg   |                                      |          |           |          |           | *14 690  | 8 480     | 9 680    | 5 670     | 6 950    | 4 190     |          |           | 6 210      | 3 760     | 8.1 |
| -1.5 m kg  |                                      |          |           | *10 400  | *10 400   | *14 500  | 8 460     | 9 620    | 5 620     | 6 930    | 4 170     |          |           | 6 810      | 4 110     | 7.6 |
| -3.0 m kg  |                                      |          |           | *18 550  | 16 860    | *13 430  | 8 590     | 9 710    | 5 690     |          |           |          |           | 8 240      | 4 920     | 6.7 |
| -4.5 m kg  |                                      |          |           | *14 840  | *14 840   | *10 810  | 8 900     |          |           |          |           |          |           | *8 990     | 7 150     | 5.3 |
| 7.5 m kg   |                                      |          |           |          |           |          |           |          |           |          |           |          |           | *6 060     | 5 860     | 6.6 |
| 6.0 m kg   |                                      |          |           |          |           |          |           | *6 200   | *6 200    | *6 270   | 4 750     |          |           | *5 810     | 4 570     | 7.7 |
| 4.5 m kg   |                                      |          |           |          |           | *8 280   | *8 280    | *7 090   | 6 600     | *6 560   | 4 660     |          |           | *5 830     | 3 930     | 8.3 |
| 3.0 m kg   |                                      |          |           |          |           | *10 990  | 9 500     | *8 360   | 6 260     | *7 170   | 4 500     |          |           | 5 400      | 3 610     | 8.6 |
| 1.5 m kg   |                                      |          |           |          |           | *13 350  | 8 870     | *9 610   | 5 940     | 7 120    | 4 340     |          |           | 5 690      | 3 490     | 8.7 |
| 0.0 m kg   |                                      |          |           |          |           | *14 550  | 8 560     | 9 750    | 5 730     | 6 980    | 4 220     |          |           | 5 820      | 3 540     | 8.5 |
| -1.5 m kg  | *6 630                               | *6 630   | *10 650   | *10 650  | *14 700   | 8 480    | 9 640     | 5 640    | 6 930     | 4 170    |           |          | 6 310     | 3 820      | 8.0       |     |
| -3.0 m kg  | *12 330                              | *12 330  | *17 750   | 16 730   | *13 950   | 8 560    | 9 670     | 5 670    |           |          |           |          | 7 440     | 4 470      | 7.2       |     |
| -4.5 m kg  |                                      |          | *16 670   | *16 670  | *11 940   | 8 790    |           |          |           |          |           |          |           | *8 870     | 6 080     | 5.8 |
| 7.5 m kg   |                                      |          |           |          |           |          |           |          |           |          |           |          |           | *5 010     | *5 010    | 7.2 |
| 6.0 m kg   |                                      |          |           |          |           |          |           |          |           | *5 510   | 4 830     |          |           | *4 860     | 4 120     | 8.2 |
| 4.5 m kg   |                                      |          |           |          |           |          |           | *6 280   | *6 280    | *5 920   | 4 700     |          |           | *4 920     | 3 590     | 8.8 |
| 3.0 m kg   |                                      |          |           | *15 520  | *15 520   | *9 660   | *9 660    | *7 590   | 6 320     | *6 610   | 4 510     | 5 490    | 3 370     | *5 140     | 3 300     | 9.1 |
| 1.5 m kg   |                                      |          |           |          |           | *12 290  | 8 960     | *8 960   | 5 950     | 7 110    | 4 320     | 5 380    | 3 280     | 5 220      | 3 180     | 9.2 |
| 0.0 m kg   |                                      |          |           | *7 030   | *7 030    | *13 960  | 8 510     | 9 710    | 5 680     | 6 930    | 4 160     |          |           | 5 310      | 3 210     | 9.0 |
| -1.5 m kg  | *6 770                               | *6 770   | *10 770   | *10 770  | *14 560   | 8 330    | 9 540     | 5 530    | 6 830     | 4 070    |           |          | 5 690     | 3 420      | 8.5       |     |
| -3.0 m kg  | *11 010                              | *11 010  | *15 970   | *15 970  | *14 250   | 8 340    | 9 520     | 5 510    | 6 840     | 4 080    |           |          | 6 540     | 3 910      | 7.7       |     |
| -4.5 m kg  | *16 320                              | *16 320  | *18 450   | 16 660   | *12 870   | 8 510    | *9 500    | 5 630    |           |          |           |          |           | *8 500     | 5 040     | 6.5 |
| -6.0 m kg  |                                      |          |           |          |           | *9 380   | 8 940     |          |           |          |           |          |           | *9 300     | 8 850     | 4.5 |
| 7.5 m kg   |                                      |          |           |          |           |          |           |          |           |          |           |          |           | *9 630     | *9 630    | 4.2 |
| 6.0 m kg   |                                      |          |           |          |           | *9 800   | *9 800    | *8 630   | 6 710     |          |           |          |           | *8 020     | 6 450     | 6.1 |
| 4.5 m kg   |                                      |          |           |          |           | *10 040  | *10 040   | *9 000   | 6 680     |          |           |          |           | *7 500     | 4 850     | 7.3 |
| 3.0 m kg   |                                      |          |           |          |           | *12 130  | 9 990     | *9 580   | 6 420     | 7 360    | 4 520     |          |           | 6 710      | 4 110     | 7.9 |
| 1.5 m kg   |                                      |          |           |          |           | *13 920  | 9 170     | 10 220   | 6 080     | 7 200    | 4 370     |          |           | 6 160      | 3 740     | 8.3 |
| 0.0 m kg   |                                      |          |           |          |           | *14 680  | 8 580     | 9 860    | 5 770     | 7 030    | 4 220     |          |           | 6 000      | 3 620     | 8.3 |
| -1.5 m kg  |                                      |          |           |          |           | *14 010  | 8 360     | 9 650    | 5 590     | 6 930    | 4 130     |          |           | 6 180      | 3 700     | 8.1 |
| -3.0 m kg  |                                      |          |           | *10 190  | *10 190   | *12 290  | 8 360     | *9 530   | 5 540     | 6 930    | 4 130     |          |           | *6 730     | 4 050     | 7.6 |
| -4.5 m kg  |                                      |          |           |          |           | *9 460   | 8 520     | *7 270   | 5 650     |          |           |          |           | *5 810     | 4 880     | 6.7 |
| 7.5 m kg   |                                      |          |           |          |           |          |           | *7 870   | *7 870    |          |           |          |           | *6 870     | *6 870    | 5.0 |
| 6.0 m kg   |                                      |          |           |          |           |          |           | *7 790   | *7 790    | *7 480   | 6 870     |          |           | *5 950     | 5 710     | 6.7 |
| 4.5 m kg   |                                      |          |           |          |           |          |           | *7 970   | *7 970    | *8 290   | 6 790     | *6 510   | 4 660     | *5 640     | 4 440     | 7.7 |
| 3.0 m kg   |                                      |          |           | *16 300  | *16 300   | *11 420  | 10 200    | *9 170   | 6 510     | 7 420    | 4 570     |          |           | *5 610     | 3 810     | 8.3 |
| 1.5 m kg   |                                      |          |           |          |           | *13 340  | 9 370     | *10 000  | 6 140     | 7 230    | 4 400     |          |           | 5 740      | 3 480     | 8.7 |
| 0.0 m kg   |                                      |          |           |          |           | *14 520  | 8 680     | 9 910    | 5 800     | 7 040    | 4 220     |          |           | 5 590      | 3 360     | 8.7 |
| -1.5 m kg  |                                      |          |           |          |           | *14 330  | 8 350     | 9 640    | 5 570     | 6 900    | 4 100     |          |           | 5 720      | 3 420     | 8.5 |
| -3.0 m kg  |                                      |          |           | *10 460  | *10 460   | *12 980  | 8 280     | 9 540    | 5 490     | 6 850    | 4 050     |          |           | 6 220      | 3 700     | 8.0 |
| -4.5 m kg  |                                      |          |           |          |           | *10 530  | 8 380     | *8 100   | 5 540     |          |           |          |           | *5 940     | 4 360     | 7.2 |
| 9.0 m kg   |                                      |          |           |          |           |          |           |          |           |          |           |          |           | *5 480     | *5 480    | 5.8 |
| 7.5 m kg   |                                      |          |           |          |           |          |           | *6 440   | *6 440    |          |           |          |           | *4 930     | *4 930    | 7.3 |
| 6.0 m kg   |                                      |          |           |          |           |          |           | *6 810   | *6 810    | *6 270   | 4 790     |          |           | *4 740     | 4 030     | 8.3 |
| 4.5 m kg   |                                      |          |           |          |           | *7 590   | *7 590    | *8 150   | *8 150    | *8 070   | 6 670     | *7 360   | 4 660     | *4 750     | 3 500     | 8.9 |
| 3.0 m kg   |                                      |          |           |          |           |          |           | *12 470  | 9 680     | *9 530   | 6 280     | 7 320    | 4 460     | 5 460      | 3 320     | 9.2 |
| 1.5 m kg   |                                      |          |           |          |           |          |           | *14 110  | 8 870     | 10 010   | 5 890     | 7 090    | 4 260     | 5 360      | 3 230     | 9.0 |
| 0.0 m kg   |                                      |          |           |          |           | *6 840   | *6 840    | *14 510  | 8 390     | 9 680    | 5 600     | 6 910    | 4 100     | 5 280      | 3 150     | 9.0 |
| -1.5 m kg  |                                      |          |           | *10 600  | *10 600   | *13 690  | 8 220     | 9 510    | 5 450     | 6 810    | 4 010     |          |           | 5 630      | 3 350     | 8.6 |
| -3.0 m kg  |                                      |          |           | *15 440  | *15 440   | *11 750  | 8 250     | *8 950   | 5 440     | *6 590   | 4 030     |          |           | *6 050     | 3 840     | 7.8 |
| -4.5 m kg  |                                      |          |           |          |           |          |           |          |           |          |           |          |           |            |           | 6.6 |

Notes: 1. Machine in "Fine Mode-F" (Power Boost) for lifting capacities. 2. The above loads are in compliance with SAE J1097 and ISO 10567 Hydraulic Excavator Lifting Capacity Standards. 3. Rated loads do not exceed 87% of hydraulic lifting capacity or 75% of tipping load. 4. Rated loads marked with an asterisk (\*) are limited by hydraulic capacity rather than tipping load.

**LIFTING CAPACITY EC250ELR**

Lifting capacity at the arm end without bucket.

For lifting capacity including bucket, simply subtract actual weight of the direct fit bucket or the bucket with quick coupler from the following values.

| Lifting hook related to ground level | 0.0 m    |           | 1.5 m    |           | 3.0 m    |           | 4.5 m    |           | 6.0 m    |           | 7.5 m    |           | 9.0 m    |           |
|--------------------------------------|----------|-----------|----------|-----------|----------|-----------|----------|-----------|----------|-----------|----------|-----------|----------|-----------|
|                                      | Along UC | Across UC | Along UC | Across UC | Along UC | Across UC | Along UC | Across UC | Along UC | Across UC | Along UC | Across UC | Along UC | Across UC |
|                                      | 3.0 m kg |           |          |           |          | *4 200    | *4 200   | *6 820    | *6 820   | *4 930    | *4 930   | *3 940    | *3 940   | *3 340    |
| 1.5 m kg                             |          |           |          |           |          |           | *5 110   | *5 110    | *6 010   | *6 010    | *4 620   | *4 620    | *3 790   | 3 710     |
| 0.0 m kg                             |          |           |          |           | *1 540   | *1 540    | *3 470   | *3 470    | *6 890   | 5 830     | *5 210   | 4 360     | *4 210   | 3 410     |
| -1.5 m kg                            |          |           | *1 500   | *1 500    | *1 990   | *1 990    | *3 350   | *3 350    | *6 260   | 5 380     | *5 670   | 4 030     | *4 550   | 3 160     |
| -3.0 m kg                            | *2 060   | *2 060    | *2 050   | *2 050    | *2 530   | *2 530    | *3 660   | *3 660    | *5 960   | 5 140     | *5 980   | 3 810     | *4 810   | 2 980     |
| -4.5 m kg                            | *2 490   | *2 490    | *2 620   | *2 620    | *3 120   | *3 120    | *4 180   | *4 180    | *6 230   | 5 040     | *6 140   | 3 690     | 4 790    | 2 870     |
| -6.0 m kg                            | *2 980   | *2 980    | *3 210   | *3 210    | *3 770   | *3 770    | *4 840   | *4 840    | *6 850   | 5 030     | *6 160   | 3 650     | 4 740    | 2 830     |
| -7.5 m kg                            | *3 510   | *3 510    | *3 830   | *3 830    | *4 480   | *4 480    | *5 630   | *5 630    | *7 600   | 5 100     | *6 030   | 3 680     | 4 750    | 2 830     |
| -9.0 m kg                            |          |           | *4 510   | *4 510    | *5 270   | *5 270    | *6 590   | *6 590    | *7 150   | 5 240     | *5 720   | 3 770     | *4 710   | 2 900     |
| -10.5 m kg                           |          |           |          |           | *6 160   | *6 160    | *7 760   | *7 760    | *6 440   | 5 450     | *5 200   | 3 920     | *4 280   | 3 020     |
| -12.0 m kg                           |          |           |          |           |          |           | *6 800   | *6 800    | *5 370   | *5 370    | *4 350   | 4 150     | *3 520   | 3 230     |

| Lifting hook related to ground level | 10.5 m   |           | 12.0 m   |           | 13.5 m   |           | 15.0 m   |           | 16.5 m   |           | Max. reach |           |      |
|--------------------------------------|----------|-----------|----------|-----------|----------|-----------|----------|-----------|----------|-----------|------------|-----------|------|
|                                      | Along UC | Across UC | Along UC | Across UC | Along UC | Across UC | Along UC | Across UC | Along UC | Across UC | Along UC   | Across UC |      |
| 13.5 m kg                            |          |           |          |           |          |           |          |           |          |           | *570       | *570      | 12.4 |
| 12.0 m kg                            |          |           |          |           | *640     | *640      |          |           |          |           | *520       | *520      | 13.7 |
| 10.5 m kg                            |          |           |          |           | *1 050   | *1 050    |          |           |          |           | *490       | *490      | 14.7 |
| 9.0 m kg                             |          |           |          |           | *1 300   | *1 300    | *770     | *770      |          |           | *480       | *480      | 15.5 |
| 7.5 m kg                             |          |           | *1 710   | *1 710    | *1 500   | *1 500    | *1 080   | *1 080    |          |           | *480       | *480      | 16.1 |
| 6.0 m kg                             |          |           | *1 940   | *1 940    | *1 710   | *1 710    | *1 310   | *1 310    | *520     | *520      | *480       | *480      | 16.6 |
| 4.5 m kg                             | *2 530   | *2 530    | *2 280   | *2 280    | *1 970   | *1 970    | *1 520   | *1 520    | *770     | *770      | *500       | *500      | 16.9 |
| 3.0 m kg                             | *2 940   | *2 940    | *2 660   | 2 530     | *2 290   | 2 040     | *1 740   | 1 650     | *940     | *940      | *530       | *530      | 17.0 |
| 1.5 m kg                             | *3 250   | 2 940     | *2 880   | 2 370     | *2 620   | 1 920     | *1 950   | 1 570     | *1 030   | *1 030    | *570       | *570      | 17.1 |
| 0.0 m kg                             | *3 550   | 2 720     | *3 100   | 2 210     | *2 780   | 1 810     | *2 140   | 1 490     | *1 040   | *1 040    | *620       | *620      | 17.0 |
| -1.5 m kg                            | *3 810   | 2 540     | *3 300   | 2 080     | 2 830    | 1 710     | *2 250   | 1 420     | *910     | *910      | *690       | *690      | 16.7 |
| -3.0 m kg                            | 3 960    | 2 410     | 3 270    | 1 970     | 2 760    | 1 640     | *2 220   | 1 370     |          |           | *780       | *780      | 16.3 |
| -4.5 m kg                            | 3 860    | 2 320     | 3 200    | 1 910     | 2 700    | 1 590     | *1 920   | 1 350     |          |           | *900       | *900      | 15.8 |
| -6.0 m kg                            | 3 820    | 2 270     | 3 170    | 1 870     | 2 690    | 1 580     | *1 220   | *1 220    |          |           | *1 080     | *1 080    | 15.1 |
| -7.5 m kg                            | 3 820    | 2 280     | 3 180    | 1 880     | *2 660   | 1 600     |          |           |          |           | *1 340     | *1 340    | 14.2 |
| -9 m kg                              | 3 880    | 2 330     | 3 240    | 1 940     |          |           |          |           |          |           | *1 760     | 1 740     | 13.1 |
| -10.5 m kg                           | *3 540   | 2 440     |          |           |          |           |          |           |          |           | *2 580     | 2 140     | 11.6 |
| -12.0 m kg                           |          |           |          |           |          |           |          |           |          |           | *3 120     | 2 900     | 9.8  |

Notes: 1. Machine in "Fine Mode-F" (Power Boost) for lifting capacities. 2. The above loads are in compliance with SAE J1097 and ISO 10567 Hydraulic Excavator Lifting Capacity Standards. 3. Rated loads do not exceed 87% of hydraulic lifting capacity or 75% of tipping load. 4. Rated loads marked with an asterisk (\*) are limited by hydraulic capacity rather than tipping load.

**LIFTING CAPACITY EC300ELR**

Lifting capacity at the arm end without bucket.

For lifting capacity including bucket, simply subtract actual weight of the direct fit bucket or the bucket with quick coupler from the following values.

| Lifting hook related to ground level | 0.0 m    |           | 1.5 m    |           | 3.0 m    |           | 4.5 m    |           | 6.0 m    |           | 7.5 m    |           | 9.0 m    |           |
|--------------------------------------|----------|-----------|----------|-----------|----------|-----------|----------|-----------|----------|-----------|----------|-----------|----------|-----------|
|                                      | Along UC | Across UC | Along UC | Across UC | Along UC | Across UC | Along UC | Across UC | Along UC | Across UC | Along UC | Across UC | Along UC | Across UC |
|                                      | 3.0 m kg |           |          |           |          | *5 600    | *5 600   |           |          |           |          | *4 870    | *4 870   | *4 130    |
| 1.5 m kg                             |          |           |          |           |          |           | *7 490   | *7 490    | *7 360   | 7 220     | *5 660   | 5 350     | *4 660   | 4 130     |
| 0.0 m kg                             |          |           |          |           | *2 520   | *2 520    | *5 350   | *5 350    | *8 370   | 6 430     | *6 350   | 4 820     | *5 140   | 3 770     |
| -1.5 m kg                            |          |           | *2 480   | *2 480    | *3 240   | *3 240    | *5 280   | *5 280    | *9 030   | 5 920     | *6 870   | 4 440     | *5 540   | 3 490     |
| -3.0 m kg                            | *3 350   | *3 350    | *3 360   | *3 360    | *4 100   | *4 100    | *5 830   | *5 830    | *9 320   | 5 650     | *7 210   | 4 190     | *5 790   | 3 280     |
| -4.5 m kg                            | *4 060   | *4 060    | *4 270   | *4 270    | *5 050   | *5 050    | *6 690   | *6 690    | *9 480   | 5 530     | 7 340    | 4 060     | 5 660    | 3 160     |
| -6.0 m kg                            | *4 850   | *4 850    | *5 210   | *5 210    | *6 090   | *6 090    | *7 760   | *7 760    | *9 360   | 5 520     | 7 290    | 4 010     | 5 600    | 3 110     |
| -7.5 m kg                            | *5 720   | *5 720    | *6 230   | *6 230    | *7 240   | *7 240    | *9 050   | 8 770     | *9 020   | 5 610     | *7 180   | 4 040     | 5 610    | 3 120     |
| -9.0 m kg                            | *6 650   | *6 650    | *7 330   | *7 330    | *8 530   | *8 530    | *10 630  | 9 060     | *8 450   | 5 770     | *6 790   | 4 150     | *5 610   | 3 190     |
| -10.5 m kg                           |          |           | *8 550   | *8 550    | *10 040  | *10 040   | *9 670   | 9 450     | *7 560   | 6 020     | *6 130   | 4 330     | *5 060   | 3 340     |
| -12.0 m kg                           |          |           |          |           | *10 550  | *10 550   | *7 840   | *7 840    | *6 230   | *6 230    | *5 070   | 4 610     | *4 100   | 3 580     |

| Lifting hook related to ground level | 10.5 m   |           | 12.0 m   |           | 13.5 m   |           | 15.0 m   |           | 16.5 m   |           | Max. reach |           |      |
|--------------------------------------|----------|-----------|----------|-----------|----------|-----------|----------|-----------|----------|-----------|------------|-----------|------|
|                                      | Along UC | Across UC | Along UC | Across UC | Along UC | Across UC | Along UC | Across UC | Along UC | Across UC | Along UC   | Across UC |      |
| 13.5 m kg                            |          |           |          |           |          |           |          |           |          |           | *1 170     | *1 170    | 13.0 |
| 12.0 m kg                            |          |           |          |           | *1 700   | *1 700    |          |           |          |           | *1 090     | *1 090    | 14.2 |
| 10.5 m kg                            |          |           |          |           | *2 250   | *2 250    | *1 180   | *1 180    |          |           | *1 050     | *1 050    | 15.1 |
| 9.0 m kg                             |          |           |          |           | *2 450   | *2 450    | *1 870   | *1 870    |          |           | *1 030     | *1 030    | 15.9 |
| 7.5 m kg                             |          |           |          |           | *2 540   | *2 540    | *2 310   | 2 090     |          |           | *1 020     | *1 020    | 16.4 |
| 6.0 m kg                             |          |           | *2 790   | *2 790    | *2 670   | 2 540     | *2 590   | 2 020     | *1 520   | *1 520    | *1 030     | *1 030    | 16.9 |
| 4.5 m kg                             | *3 270   | *3 270    | *3 020   | 3 020     | *2 840   | 2 410     | *2 700   | 1 930     | *1 890   | 1 540     | *1 050     | *1 050    | 17.2 |
| 3.0 m kg                             | *3 630   | 3 540     | *3 280   | 2 820     | *3 030   | 2 270     | *2 840   | 1 840     | *2 150   | 1 480     | *1 090     | *1 090    | 17.3 |
| 1.5 m kg                             | *4 000   | *3 270    | *3 550   | 2 630     | *3 220   | 2 140     | *2 970   | 1 740     | *2 310   | 1 420     | *1 140     | *1 140    | 17.3 |
| 0.0 m kg                             | *4 350   | 3 020     | *3 800   | 2 450     | *3 400   | 2 010     | 2 920    | 1 650     | *2 340   | 1 360     | *1 210     | *1 210    | 17.2 |
| -1.5 m kg                            | *4 650   | 2 810     | 3 990    | 2 300     | 3 350    | 1 890     | 2 840    | 1 570     | *2 150   | 1 310     | *1 310     | 1 240     | 17.0 |
| -3.0 m kg                            | 4 670    | 2 650     | 3 870    | 2 180     | 3 260    | 1 810     | 2 780    | 1 520     | *1 630   | 1 290     | *1 430     | 1 270     | 16.6 |
| -4.5 m kg                            | 4 560    | 2 550     | 3 780    | 2 100     | 3 200    | 1 750     | 2 750    | 1 490     |          |           | *1 600     | 1 340     | 16.1 |
| -6.0 m kg                            | 4 510    | 2 500     | 3 740    | 2 060     | 3 180    | 1 730     | *2 720   | 1 490     |          |           | *1 830     | 1 450     | 15.4 |
| -7.5 m kg                            | 4 520    | 2 500     | 3 760    | 2 070     | 3 210    | 1 760     |          |           |          |           | *2 170     | 1 620     | 14.5 |
| -9 m kg                              | 4 580    | 2 570     | 3 830    | 2 140     |          |           |          |           |          |           | *2 710     | 1 880     | 13.3 |
| -10.5 m kg                           | *4 180   | 2 700     |          |           |          |           |          |           |          |           | *3 400     | 2 310     | 11.9 |
| -12.0 m kg                           |          |           |          |           |          |           |          |           |          |           | *3 420     | 3 100     | 10.1 |

Notes: 1. Machine in "Fine Mode-F" (Power Boost) for lifting capacities. 2. The above loads are in compliance with SAE J1097 and ISO 10567 Hydraulic Excavator Lifting Capacity Standards. 3. Rated loads do not exceed 87% of hydraulic lifting capacity or 75% of tipping load. 4. Rated loads marked with an asterisk (\*) are limited by hydraulic capacity rather than tipping load.

# Specifications

## LIFTING CAPACITY EC300EL

Lifting capacity at the arm end without bucket.

For lifting capacity including bucket, simply subtract actual weight of the direct fit bucket or the bucket with quick coupler from the following values.

|   | Lifting hook related to ground level | 1.5 m    |           | 3.0 m    |           | 4.5 m    |           | 6.0 m    |           | 7.5 m    |           | 9.0 m    |           | Max. reach |           |     |
|---|--------------------------------------|----------|-----------|----------|-----------|----------|-----------|----------|-----------|----------|-----------|----------|-----------|------------|-----------|-----|
|   |                                      | Along UC | Across UC | Along UC | Across UC | Along UC | Across UC | Along UC | Across UC | Along UC | Across UC | Along UC | Across UC | Along UC   | Across UC | m   |
| Boom : 6.2m<br>Arm : 2.55m<br>Shoe : 600mm<br>CWT : 5 100kg         | 7.5 m kg                             |          |           |          |           |          |           | *7 660   | *7 660    |          |           |          |           | *7 820     | 6 830     | 6.5 |
|   | 6.0 m kg                             |          |           |          |           |          |           | *8 000   | 7 780     | *7 800   | 5 350     |          |           | *7 810     | 5 270     | 7.6 |
|   | 4.5 m kg                             |          |           |          |           | *11 310  | *11 310   | *9 090   | 7 430     | *8 120   | 5 230     |          |           | 7 200      | 4 520     | 8.2 |
|   | 3.0 m kg                             |          |           |          |           | *14 460  | 10 620    | *10 520  | 7 010     | 8 110    | 5 040     |          |           | 6 660      | 4 140     | 8.5 |
|   | 1.5 m kg                             |          |           |          |           | *16 600  | 9 980     | 11 140   | 6 650     | 7 910    | 4 850     |          |           | 6 500      | 4 010     | 8.5 |
|   | 0 m kg                               |          |           |          |           | *17 180  | 9 780     | 10 900   | 6 450     | 7 770    | 4 730     |          |           | 6 700      | 4 110     | 8.3 |
|   | -1.5 m kg                            |          |           | *12 810  | *12 810   | *16 750  | 9 790     | 10 840   | 6 400     | 7 750    | 4 710     |          |           | 7 360      | 4 490     | 7.8 |
|   | -3.0 m kg                            |          |           | *20 860  | 20 290    | *15 370  | 9 950     | 10 950   | 6 500     |          |           |          |           | 8 910      | 5 400     | 6.9 |
| -4.5 m kg   |                                      |          | *16 600   | *16 600  | *12 360   | 10 330   |           |          |           |          |           |          | *9 950    | 7 820      | 5.4       |     |
| Boom : 6.2m<br>Arm : 3.05m<br>Shoe : 600mm<br>CWT : 5 100kg         | 7.5 m kg                             |          |           |          |           |          |           |          |           |          |           |          |           | *6 350     | 5 880     | 7.2 |
|   | 6.0 m kg                             |          |           |          |           |          |           |          |           | *7 190   | 5 480     |          |           | *6 080     | 4 720     | 8.2 |
|   | 4.5 m kg                             |          |           |          |           |          |           | *8 500   | 7 590     | *7 660   | 5 330     |          |           | *6 080     | 4 120     | 8.7 |
|   | 3.0 m kg                             |          |           |          |           | *13 430  | 10 940    | *10 000  | 7 150     | 8 200    | 5 120     | 6 140    | 3 830     | 6 100      | 3 800     | 9.0 |
|   | 1.5 m kg                             |          |           |          |           | *15 980  | 10 190    | 11 260   | 6 760     | 7 970    | 4 910     | 6 040    | 3 740     | 5 970      | 3 690     | 9.1 |
|   | 0 m kg                               |          |           |          |           | *17 090  | 9 850     | 10 960   | 6 510     | 7 800    | 4 760     |          |           | 6 120      | 3 770     | 8.9 |
|   | -1.5 m kg                            | *7 560   | *7 560    | *11 710  | *11 710   | *17 060  | 9 780     | 10 850   | 6 410     | 7 730    | 4 700     |          |           | 6 630      | 4 070     | 8.4 |
|   | -3.0 m kg                            | *13 850  | *13 850   | *19 420  | *19 420   | *16 060  | 9 890     | 10 900   | 6 450     | 7 820    | 4 770     |          |           | 7 770      | 4 750     | 7.5 |
| -4.5 m kg   |                                      |          | *18 860   | *18 860  | *13 700   | 10 180   | *10 000   | 6 690    |           |          |           |          | *9 370    | 6 340      | 6.2       |     |
| Boom : 6.2m<br>Arm : 3.7m<br>Shoe : 600mm<br>CWT : 5 100kg          | 7.5 m kg                             |          |           |          |           |          |           |          |           | *6 300   | 5 630     |          |           | *5 010     | *5 010    | 8.0 |
|   | 6.0 m kg                             |          |           |          |           |          |           |          |           | *6 390   | 5 580     |          |           | *4 820     | 4 150     | 8.8 |
|   | 4.5 m kg                             |          |           |          |           |          |           | *7 570   | *7 570    | *6 970   | 5 390     | 6 280    | 3 950     | *4 820     | 3 670     | 9.4 |
|   | 3.0 m kg                             |          |           |          |           | *11 900  | 11 250    | *9 140   | 7 260     | *7 810   | 5 150     | 6 160    | 3 840     | *4 960     | 3 400     | 9.6 |
|   | 1.5 m kg                             |          |           |          |           | *14 830  | 10 340    | *10 700  | 6 800     | 7 980    | 4 910     | 6 020    | 3 710     | *5 250     | 3 300     | 9.7 |
|   | 0 m kg                               |          |           | *6 800   | *6 800    | *16 530  | 9 820     | 10 950   | 6 480     | 7 760    | 4 710     | 5 910    | 3 610     | 5 480      | 3 350     | 9.5 |
|   | -1.5 m kg                            | *6 990   | *6 990    | *11 020  | *11 020   | *17 030  | 9 640     | 10 750   | 6 310     | 7 640    | 4 600     | 5 870    | 3 580     | 5 860      | 3 570     | 9.0 |
|   | -3.0 m kg                            | *11 650  | *11 650   | *16 650  | *16 650   | *16 520  | 9 670     | 10 730   | 6 290     | 7 650    | 4 610     |          |           | 6 680      | 4 060     | 8.3 |
| -4.5 m kg   | *17 420                              | *17 420  | *21 100   | 20 040   | *14 850   | 9 880    | 10 890    | 6 430    |           |          |           |          | 8 460     | 5 130      | 7.1       |     |
| -6.0 m kg   |                                      |          | *15 550   | *15 550  | *11 020   | 10 360   |           |          |           |          |           |          | *8 920    | 8 150      | 5.3       |     |
| Boom : 6.2m<br>Arm : 2.55m<br>Shoe : 600mm<br>CWT : 5 500kg         | 7.5 m kg                             |          |           |          |           |          |           | *7 660   | *7 660    |          |           |          |           | *7 820     | 7 080     | 6.5 |
|   | 6.0 m kg                             |          |           |          |           |          |           | *8 000   | *8 000    | *7 800   | 5 550     |          |           | *7 810     | 5 480     | 7.6 |
|   | 4.5 m kg                             |          |           |          |           | *11 310  | *11 310   | *9 090   | 7 700     | *8 120   | 5 430     |          |           | 7 430      | 4 700     | 8.2 |
|   | 3.0 m kg                             |          |           |          |           | *14 460  | 11 020    | *10 520  | 7 280     | 8 370    | 5 240     |          |           | 6 880      | 4 310     | 8.5 |
|   | 1.5 m kg                             |          |           |          |           | *16 600  | 10 380    | 11 490   | 6 920     | 8 170    | 5 050     |          |           | 6 720      | 4 180     | 8.5 |
|   | 0 m kg                               |          |           |          |           | *17 180  | 10 180    | 11 260   | 6 720     | 8 030    | 4 930     |          |           | 6 930      | 4 290     | 8.3 |
|   | -1.5 m kg                            |          |           | *12 810  | *12 810   | *16 750  | 10 190    | 11 200   | 6 670     | 8 010    | 4 920     |          |           | 7 610      | 4 690     | 7.8 |
|   | -3.0 m kg                            |          |           | *20 860  | *20 860   | *15 370  | 10 350    | 11 310   | 6 770     |          |           |          |           | 9 210      | 5 630     | 6.9 |
| -4.5 m kg   |                                      |          | *16 600   | *16 600  | *12 360   | 10 730   |           |          |           |          |           |          | *9 950    | 8 130      | 5.4       |     |
| Boom : 6.2m<br>Arm : 3.05m<br>Shoe : 600mm<br>CWT : 5 500kg         | 7.5 m kg                             |          |           |          |           |          |           |          |           | *7 190   | 5 680     |          |           | *6 350     | 6 100     | 7.2 |
|   | 6.0 m kg                             |          |           |          |           |          |           |          |           | *7 190   | 5 680     |          |           | *6 080     | 4 900     | 8.2 |
|   | 4.5 m kg                             |          |           |          |           |          |           | *8 500   | 7 860     | *7 660   | 5 530     |          |           | *6 080     | 4 290     | 8.7 |
|   | 3.0 m kg                             |          |           |          |           | *13 430  | 11 340    | *10 000  | 7 420     | *8 420   | 5 320     | 6 340    | 3 990     | *6 280     | 3 970     | 9.0 |
|   | 1.5 m kg                             |          |           |          |           | *15 980  | 10 590    | *11 400  | 7 030     | 8 230    | 5 110     | 6 240    | 3 900     | 6 170      | 3 860     | 9.1 |
|   | 0 m kg                               |          |           |          |           | *17 090  | 10 250    | 11 320   | 6 780     | 8 060    | 4 960     |          |           | 6 330      | 3 930     | 8.9 |
|   | -1.5 m kg                            | *7 560   | *7 560    | *11 710  | *11 710   | *17 060  | 10 180    | 11 200   | 6 680     | 7 990    | 4 900     |          |           | 6 860      | 4 250     | 8.4 |
|   | -3.0 m kg                            | *13 850  | *13 850   | *19 420  | *19 420   | *16 060  | 10 290    | 11 250   | 6 720     | 8 080    | 4 980     |          |           | 8 030      | 4 950     | 7.5 |
| -4.5 m kg   |                                      |          | *18 860   | *18 860  | *13 700   | 10 580   | *10 000   | 6 960    |           |          |           |          | *9 370    | 6 600      | 6.2       |     |
| Boom : 6.2m<br>Arm : 3.7m<br>Shoe : 600mm<br>CWT : 5 500kg          | 7.5 m kg                             |          |           |          |           |          |           |          |           | *6 300   | 5 840     |          |           | *5 010     | *5 010    | 8.0 |
|   | 6.0 m kg                             |          |           |          |           |          |           |          |           | *6 390   | 5 780     |          |           | *4 820     | 4 320     | 8.8 |
|   | 4.5 m kg                             |          |           |          |           |          |           | *7 570   | *7 570    | *6 970   | 5 600     | *6 480   | 4 110     | *4 820     | 3 820     | 9.4 |
|   | 3.0 m kg                             |          |           |          |           | *11 900  | 11 650    | *9 140   | 7 530     | *7 810   | 5 350     | 6 360    | 4 000     | *4 960     | 3 560     | 9.6 |
|   | 1.5 m kg                             |          |           |          |           | *14 830  | 10 740    | *10 700  | 7 080     | 8 240    | 5 110     | 6 220    | 3 870     | *5 250     | 3 450     | 9.7 |
|   | 0 m kg                               |          |           | *6 800   | *6 800    | *16 530  | 10 220    | 11 310   | 6 750     | 8 020    | 4 920     | 6 120    | 3 770     | 5 670      | 3 500     | 9.5 |
|   | -1.5 m kg                            | *6 990   | *6 990    | *11 020  | *11 020   | *17 030  | 10 040    | 11 110   | 6 580     | 7 900    | 4 810     | 6 080    | 3 740     | 6 070      | 3 730     | 9.0 |
|   | -3.0 m kg                            | *11 650  | *11 650   | *16 650  | *16 650   | *16 520  | 10 070    | 11 090   | 6 560     | 7 910    | 4 810     |          |           | 6 910      | 4 240     | 8.3 |
| -4.5 m kg   | *17 420                              | *17 420  | *21 100   | 20 820   | *14 850   | 10 280   | *11 050   | 6 700    |           |          |           |          | *8 740    | 5 340      | 7.1       |     |
| -6.0 m kg   |                                      |          | *15 550   | *15 550  | *11 020   | 10 760   |           |          |           |          |           |          | *8 920    | 8 470      | 5.3       |     |
| Boom : 6.2m<br>2pcs<br>Arm : 2.55m<br>Shoe : 600mm<br>CWT : 5 500kg | 7.5 m kg                             |          |           |          |           | *11 670  | *11 670   |          |           |          |           |          |           | *10 600    | *10 600   | 4.9 |
|   | 6.0 m kg                             |          |           |          |           | *11 250  | *11 250   | *9 990   | 8 200     |          |           |          |           | *9 280     | 6 890     | 6.6 |
|   | 4.5 m kg                             |          |           | *12 110  | *12 110   | *12 240  | *12 240   | *10 240  | 8 040     | 8 740    | 5 510     |          |           | 8 470      | 5 340     | 7.6 |
|   | 3.0 m kg                             |          |           |          |           | *14 240  | 11 990    | *11 050  | 7 670     | 8 600    | 5 390     |          |           | 7 330      | 4 580     | 8.3 |
|   | 1.5 m kg                             |          |           |          |           | *16 350  | 10 920    | 11 920   | 7 210     | 8 370    | 5 180     |          |           | 6 780      | 4 200     | 8.6 |
|   | 0 m kg                               |          |           |          |           |          |           | 11 480   | 6 840     | 8 150    | 4 990     |          |           | 6 630      | 4 080     | 8.6 |
|   | -1.5 m kg                            |          |           |          |           | *16 160  | 10 040    | 11 240   | 6 630     | 8 020    | 4 860     |          |           | 6 840      | 4 180     | 8.4 |
|   | -3.0 m kg                            |          |           |          |           | *14 250  | 10 070    | *11 180  | 6 580     | 8 010    | 4 850     |          |           | 7 520      | 4 580     | 7.9 |
| -4.5 m kg   |                                      |          |           |          | *11 230   | 10 270   | *8 850    | 6 700    |           |          |           |          | *6 850    | 5 510      | 7.0       |     |
| Boom : 6.2m<br>2pcs<br>Arm : 3.05m<br>Shoe : 600mm<br>CWT : 5 500kg | 7.5 m kg                             |          |           |          |           | *9 660   | *9 660    |          |           |          |           |          |           | *7 280     | *7 280    | 5.8 |
|   | 6.0 m kg                             |          |           |          |           | *9 080   | *9 080    | *9 300   | 8 390     |          |           |          |           | *6 450     | 5 910     | 7.3 |
|   | 4.5 m kg                             |          |           |          |           | *9 640   | *9 640    | *9 700   | 8 200     | *8 690   | 5 630     |          |           | *6 120     | 4 750     | 8.2 |
|   | 3.0 m kg                             |          |           |          |           | *13 360  | 12 310    | *10 560  | 7 810     | 8 690    | 5 470     |          |           | *6 070     | 4 140     | 8.8 |
|   | 1.5 m kg                             |          |           |          |           | *15 660  | 11 200    | *11 590  | 7 320     | 8 430    | 5 230     | 6 300    | 3 900     | 6 190      | 3 830     | 9.1 |
|   | 0 m kg                               |          |           |          |           | *16 920  | 10 370    | 11 550   | 6 890     | 8 180    | 5 000     | 6 200    | 3 810     | 6 060      | 3 720     | 9.1 |
|   | -1.5 m kg                            |          |           |          |           | *16 620  | 10 010    | 11 240   | 6 620     | 8 000    | 4 840     |          |           | 6 220      | 3 800     | 8.9 |
|   | -3.0 m kg                            |          |           | *10 890  | *10 890   | *15 120  | 9 960     | 11 120   | 6 520     | 7 940    | 4 790     |          |           | 6 740      | 4 110     | 8.4 |
| -4.5 m kg   |                                      |          |           |          | *12 490   | 10 100   | *9 750    | 6 590    | *6 910    | 4 890    |           |          | *6 600    | 4 800      | 7.6       |     |
| Boom : 6.2m<br>2pcs<br>Arm : 3.7m<br>Shoe : 600mm<br>CWT : 5 500kg  | 10.5 kg                              |          |           |          |           | *7 530   | *7 530    |          |           |          |           |          |           | *7 020     | *7 020    | 4.7 |
|   | 9 kg                                 |          |           |          |           |          |           | *7 290   | *7 290    |          |           |          |           | *5 610     | *5 610    | 6.8 |
|   | 7.5 m kg                             |          |           |          |           |          |           | *7 520   | *7 520    | *6 740   | 5 830     |          |           | *5 070     | *5 070    | 8.1 |
|   | 6.0 m kg                             |          |           |          |           | *7 110   | *7 110    | *7 870   | *7 870    | *7 770   | 5 770     |          |           | *4 840     | 4 200     | 8.9 |
|   | 4.5 m kg                             |          |           | *10 030  | *10 030   | *9 890   | *9 890    | *9 620   | 8 000     | *8 530   | 5 570     | 6 490    | 4 070     | *4 800     | 3 720     | 9.4 |
|   | 3.0 m kg                             |          |           |          |           | *14 640  | 11 610    | *11 030  | 7 490     | 8 530    | 5 310     | 6 360    | 3 950     | *4 910     | 3 460     | 9.7 |
|   | 1.5 m kg                             |          |           |          |           | *16 480  | 10 630    | 11 690   | 7 000     | 8 240    | 5 050     | 6 220    | 3 820     | *5 170     | 3 360     | 9.8 |
|   | 0 m kg                               |          |           | *6 030   | *6 030    | *16 880  | 10 090    | 11 290   | 6 660     | 8 010    | 4 850     | 6 100    | 3 720     | 5 600      | 3 410     | 9.6 |
| -1.5 m kg   |                                      |          | *10 280   | *10 280  | *15 960   | 9 900    | 11 090    | 6 690    | 7 890     | 4 740    | 6 070     | 3 690    | 5 990     | 3 640      | 9.1       |     |
| -3.0 m kg   |                                      |          | *15 990   | *15 990  | *13 880   | 9 950    | *10 640   | 6 480    | 7 910     | 4 750    |           |          | *6 430    | 4 150      | 8.3       |     |
| -4.5 m kg   |                                      |          |           |          | *10 380   | 10 200   | *7 910    | 6 650    |           |          |           |          |           |            | 7.2       |     |

Notes: 1. Machine in "Fine Mode-F" (Power Boost) for lifting capacities. 2. The above loads are in compliance with SAE J1097 and ISO 10567 Hydraulic Excav





# Equipment

| STANDARD EQUIPMENT  | EC250E | EC300E |
|---|--------|--------|
| <b>Engine</b>   |        |        |
| Turbocharged, 4 stroke diesel engine with water cooling, direct injection and charged air cooler that meets EU Stage V requirements | •      | •      |
| Air filter with indicator   | •      | •      |
| Air intake heater   | •      | •      |
| Cyclone precleaner  | •      | •      |
| Electric engine shutoff   | •      | •      |
| Fuel filter and water separator   | •      | •      |
| Fuel filler pump: 50 l/min, with automatic shutoff  | •      | •      |
| Alternator, 110 A   | •      | •      |
| <b>Electric / Electronic control system</b>   |        |        |
| Contronics  | •      | •      |
| Advanced mode control system  | •      | •      |
| Selfdiagnostic system   | •      | •      |
| Machine status indication   | •      | •      |
| Engine speed sensing power control  | •      | •      |
| Automatic idling system   | •      | •      |
| Onetouch power boost  | •      | •      |
| Safety stop/start function  | •      | •      |
| Adjustable LCD color monitor  | •      | •      |
| Master electrical disconnect switch   | •      | •      |
| Engine restart prevention circuit   | •      | •      |
| Highcapacity halogen lights:  | •      | •      |
| Frame-mounted 2   | •      | •      |
| Boom-mounted 1  | •      | •      |
| Batteries, 2 x 12 V / 200 Ah  | •      | •      |
| Start motor, 24 V / 5.5 kW  | •      | •      |
| <b>Frame</b>  |        |        |
| Access way with handrail  | •      | •      |
| Tool storage area   | •      | •      |
| Punched metal antislip plates   | •      | •      |
| Full height counterweight:  | •      | •      |
| 4 950 kg  | •      | –      |
| 6 200 kg Long Reach   | •      | –      |
| 5 500 kg  | –      | •      |
| 6 800 kg Long Reach   | –      | •      |
| <b>Undercarriage</b>  |        |        |
| Undercover (heavyduty)  | •      | •      |
| Hydraulic track adjusters   | •      | •      |
| Greased and sealed track link   | •      | •      |
| Track Guard   | •      | •      |
| <b>Hydraulic system</b>   |        |        |
| Hose rupture valve: boom  | •      | •      |
| Overload warning device   | •      | •      |
| Automatic sensing hydraulic system  | •      | •      |
| Summation system  | •      | •      |
| Boom priority   | •      | •      |
| Arm priority  | •      | •      |
| Swing priority  | •      | •      |
| ECO mode fuel saving technology   | •      | •      |
| Boom, arm and bucket regeneration valves  | •      | •      |
| Swing antirebound valves  | •      | •      |
| Boom and arm holding valves   | •      | •      |
| Multistage filtering system   | •      | •      |
| Cylinder cushioning   | •      | •      |
| Cylinder contamination seals  | •      | •      |
| Auxiliary hydraulic valve   | •      | •      |
| Automatic twospeed travel motors  | •      | •      |
| Hydraulic oil, ISO VG 46  | •      | •      |

| STANDARD EQUIPMENT                                    | EC250E | EC300E |
|---|--------|--------|
| <b>Cab and interior</b>                               |        |        |
| ROPS (ISO121172) certified cab                        | •      | •      |
| Silicon oil and rubber mounts with spring             | •      | •      |
| Travel pedals and hand levers                         | •      | •      |
| Adjustable operator seat and joystick control console | •      | •      |
| Control joysticks with 4 switches each                | •      | •      |
| Heater & airconditioner, automatic                    | •      | •      |
| Flexible antenna                                      | •      | •      |
| Radio with MP3 & USB Jack with bluetooth              | •      | •      |
| Hydraulic safety lock lever                           | •      | •      |
| Cab, allweather sound suppressed, includes:           | •      | •      |
| Cup holders   | •      | •      |
| Door locks  | •      | •      |
| Tinted glass  | •      | •      |
| Floor mat   | •      | •      |
| Horn  | •      | •      |
| Large storage area                                    | •      | •      |
| Pullup type front window                              | •      | •      |
| Removable lower windshield                            | •      | •      |
| Seat belt   | •      | •      |
| Safety glass  | •      | •      |
| Sun screens, front, roof, rear                        | •      | •      |
| Rain shield   | •      | •      |
| Windshield wiper with intermittent feature            | •      | •      |
| Rear view camera                                      | •      | •      |
| Master key  | •      | •      |
| <b>Track shoes</b>                                    |        |        |
| 600 mm with triple grousers                           | •      | •      |
| 800 mm with triple grousers Long Reach                | •      | •      |
| <b>Digging equipment</b>                              |        |        |
| Boom: 6.0 m monoblock                                 | •      | –      |
| Arm: 2.97 m   | •      | –      |
| Boom: 10.2 m monoblock, Long Reach                    | •      | –      |
| Arm: 7.85 m, Long Reach                               | •      | –      |
| Boom: 6.2 m monoblock                                 | –      | •      |
| Arm: 3.05 m   | –      | •      |
| Boom: 10.2 m monoblock, Long Reach                    | –      | •      |
| Arm: 7.9 m, Long Reach                                | –      | •      |
| Manual centralized lubrication                        | •      | •      |

| OPTIONAL EQUIPMENT                 | EC250E | EC300E |
|------------------------------------|--------|--------|
| <b>Engine</b>                      |        |        |
| Block heater: 120 V, 240 V         | •      | •      |
| Oil bath pre-cleaner               | •      | •      |
| Diesel coolant heater, 10 kW       | •      | •      |
| Water separator with heater        | •      | •      |
| Auto engine shutdown               | •      | •      |
| <b>Electric</b>                    |        |        |
| Extra work lights(Halogen or LED): | •      | •      |
| Cab-mounted 3                      | •      | •      |
| Boom-mounted 1                     | •      | •      |
| Counterweight-mounted 1            | •      | •      |
| Travel alarm                       | •      | •      |
| Anti-theft system                  | •      | •      |
| Rotating warning beacon            | •      | •      |

| OPTIONAL EQUIPMENT  |        |        |
|---|--------|--------|
|   | EC250E | EC300E |
| <b>Undercarriage</b>  |        |        |
| Full track guard  | •      | •      |
| Track shoes   | •      | •      |
| 600/700/800/900 mm with triple grousers                       | •      | •      |
| 600 mm HD with triple grousers                                | •      | •      |
| Track shoes 600 mm with double grousers                       | •      | –      |
| Track shoes 700 mm with double grousers                       | •      | •      |
| <b>Hydraulic system</b>                                       |        |        |
| Hose rupture valve: arm                                       | •      | •      |
| Boom float function with HRV                                  | •      | •      |
| Boom float function without HRV                               | •      | •      |
| Hydraulic piping:   | •      | •      |
| Attachment management system (up to 18 programmable memories) | •      | •      |
| Hammer & shear, 1 and 2 pump flow                             | •      | •      |
| Hammer & shear:   | •      | •      |
| variable flow and pressure pre-setting                        | •      | •      |
| Additional return filter                                      | •      | •      |
| Slope & rotator   | •      | •      |
| Grapple   | •      | •      |
| Oil leak (drain) line   | •      | •      |
| Quick coupler piping  | •      | •      |
| Volvo hydraulic quick coupler S1                              | •      | –      |
| Volvo hydraulic quick coupler S2                              | •      | •      |
| Volvo hydraulic quick coupler U24                             | •      | –      |
| Volvo hydraulic quick coupler U29                             | –      | •      |
| Volvo hydraulic quick coupler S70                             | •      | –      |
| Hydraulic oil, biodegradable 46                               | •      | •      |
| Hydraulic oil, longlife oil 32                                | •      | •      |
| Hydraulic oil, longlife oil 46                                | •      | •      |
| Hydraulic oil, longlife oil 68                                | •      | •      |

| OPTIONAL EQUIPMENT                                     |        |        |
|--|--------|--------|
|  | EC250E | EC300E |
| <b>Cab and interior</b>                                |        |        |
| Fabric seat with heater                                | •      | •      |
| Fabric seat with heater and air suspension             | •      | •      |
| Opening top hatch                                      | •      | •      |
| Falling object guard, FOG (fixed type or hinge type)   | •      | •      |
| Frame-mounted  | •      | •      |
| Cab-mounted  | •      | •      |
| Cab-mounted falling object protective structure (FOPS) | •      | •      |
| Side view camera                                       | •      | •      |
| Smoker kit (ashtray and lighter)                       | •      | •      |
| Safety net for front window                            | •      | •      |
| Lower wiper with intermittent control                  | •      | •      |
| Anti-vandalism kit                                     | •      | •      |
| Specific key   | •      | •      |
| Air compressor   | •      | •      |
| <b>Digging equipment</b>                               |        |        |
| Boom: 6.0 m monoblock, heavy duty                      | •      | –      |
| Boom: 5.95 m 2 piece boom                              | •      | –      |
| Boom: 10,2 m monoblock, long reach                     | •      | –      |
| Arm: 2.5 m HD, 2.97 m HD, 3.6 m                        | •      | –      |
| Arm: 7.85 m, long reach                                | •      | –      |
| Boom: 6,2 m 2 piece boom                               | –      | •      |
| Boom: 10.2 m monoblock, long reach                     | –      | •      |
| Arm: 2.55 m HD, 3.05 m HD, 3.7 m                       | –      | •      |
| Arm: 7.9 m, long reach                                 | –      | •      |
| Linkage with lifting eye                               | •      | •      |
| <b>Service</b>   |        |        |
| Tool kit, daily maintenance                            | •      | •      |
| Tool kit, full scale                                   | •      | •      |
| Automatic lubrication system                           | •      | –      |

## SELECTION OF VOLVO OPTIONAL EQUIPMENT

**LED Lights**



**Side-view camera**



**Reversible cooling fan**



**Long reach and two-piece booms**



**Swing-out FOG (\*for demolition package only)**



**Demolition package**



Not all products are available in all markets. Under our policy of continuous improvement, we reserve the right to change specifications and design without prior notice. The illustrations do not necessarily show the standard version of the machine.

**VOLVO**

**Volvo Construction Equipment**

[volvo.com](http://volvo.com)