



Putzmeister

Semi-dry floor screed

**Self levelling
floor screed**

Plaster/Fine plaster

Shotcrete

Fine grained concrete

Special applications



Catalogue 2018/2019

Screed conveyors, plastering machines, fine concrete pumps

Putzmeister – a name that stands for quality and innovation



Putzmeister Mörtelmaschinen GmbH offers one of the world's most comprehensive range of powerful machines for a wide variety of applications. Whether screed, self levelling floor screed, plaster, fine grained concrete or shotcrete – we offer a range of machines ideal for mixing and pumping.

Technology with more value

We want to be more than just a technological leader. We want to be a reliable partner for our customers. We therefore offer you:

- **A comprehensive network of competent sales partners**
- **Complete, comprehensible technical documentation**
- **Competent contact representatives to answer your questions**
- **Fast, uncomplicated order processing**
- **Short delivery times for machines, spare parts, and wear parts**
- **Fair pricing**
- **Certification according to DIN ISO 9001**





Semi-dry floor screed



Self levelling floor screed



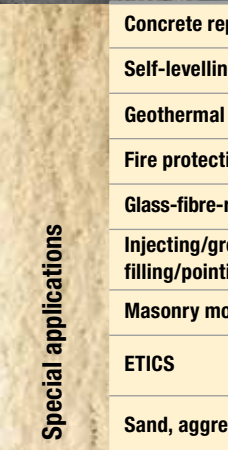
Plaster/Fine plaster



Shotcrete



Fine grained concrete



Special applications

Model	Delivery rate	Maximum delivery range*	Material/Max. particle size
Mixokret M 740 Page 12	3.8–5 m³/h	180 m horizontal 90 m vertical	16 mm
Mixokret M 760 Page 14	4–5 m³/h	200 m horizontal 150 m vertical	16 mm
Mixokret M 760 3B Page 16	4–5 m³/h	200 m horizontal 150 m vertical	16 mm
SP 11 THF Page 22	0–15 m³/h (0–250 l/min)	100 m horizontal 60 m vertical	8 mm
P 715 Page 60	4–17.4 m³/h	300 m horizontal 100 m vertical	16 mm
SP 11 LMR Page 44	5–60 l/min	Exterior and interior plasters: 60 m horizontal 40 m vertical	6 mm
SP 11 TMR Page 46	5–75 l/min	Exterior and interior plasters: 70 m horizontal 50 m vertical	6/8 mm
S 5 EV/ EVTM Page 38	7–40 l/min	60 m horizontal 40 m vertical	6 mm
P 13 Page 56	30–90 l/min	150 m horizontal 80 m vertical Site mix: 60 m horizontal, 40 m vertical	6–8 mm
P 715 Page 60	4–17.4 m³/h	300 m horizontal 100 m vertical Shotcrete: 100 m horizontal 80 m vertical	16 mm
P 715 Page 60	4–17.4 m³/h	300 m horizontal 100 m vertical Shotcrete: 100 m horiz., 80 m vert.	16 mm
P 13 Page 56	up to 5 m³/h	150 m horizontal 80 m vertical	6–8 mm

Model	Delivery rate	Maximum delivery range*	Material/Max. particle size
Mixokret M 500/ M 700 w/o comp., Page 10	4 m³/h	120 m horizontal 60 m vertical	32/16 mm
Mixokret M 720 Page 10	3.5 m³/h	80 m horizontal 45 m vertical	16 mm
MP 25 Page 28	25 l/min	40 m horizontal 15 m vertical	4 mm
SP 20 THF Page 24	0–20 m³/h	200 m horizontal 60 m vertical	12 mm
S 5 EF Page 20	90 l/min	60 m horizontal 40 m vertical	8 mm
MP 20 EV Page 26	2–12 l/min	25 m horizontal 10 m vertical	3 mm
MP 25 Page 28	25 l/min	40 m horizontal 15 m vertical	4 mm
P 12 Page 32	6–12 l/min	30 m horizontal 15 m vertical	4 mm
CM 15 Page 36	Mixer output 15–20 l	–	4 mm
P 13 Page 56	bis zu 5 m³/h	150 m horizontal 80 m vertical Shotcrete: 70 m horizontal, 50 m vertical	6–8 mm
P 718 Page 66	4–17.4 m³/h	300 m horizontal 100 m vertical Shotcrete: 100 m horizontal, 80 m vertical	32 mm
P 718 Page 66	4–17.4 m³/h	300 m horizontal 100 m vertical Shotcrete: 100 m horizontal 80 m vertical	32 mm

Concrete repairs	S 5 (P. 38), SP 11 (P. 44-46), P 12 (P. 32)
Self-levelling compound	S 5 (P. 38), MP 25 (P. 28)
Geothermal drilling	S 5 (P. 38), SP 11 (P. 44-46), P 13 (P. 56), P 715 (P. 60)
Fire protection	P 12 (P. 32), S 5 (P. 38), SP 11 (P. 44-46)
Glass-fibre-reinforced concrete	S 5 (P. 38)
Injecting/grouting/filling/pointing	S 5 (P. 38), P 12 (P. 32), P 13 (P. 56), SP 11 (P. 44-46), P 715 (P. 60)
Masonry mortar	CM 15 (P. 36), P 13 (P. 56), SP 11 (P. 44-46), S 5 (P. 38)
ETICS	P 12 (P. 32), MP 20 EV (P. 26), MP 25 (P. 28), S 5 (P. 38), SP 11 (P. 44-46)
Sand, aggregate, gravel	Mixokret M 500/M 700/M 720 (P. 10), M 740 (P. 12), M 760 (P. 14), M 760 3B (P.16)

Legend



SM – Site mix
(water, aggregate, binder)



Suitable for large construction sites



PDM – Premixed dry mortar
(bagged goods or combination from silo and flow-type mixer)



Suitable for small construction sites

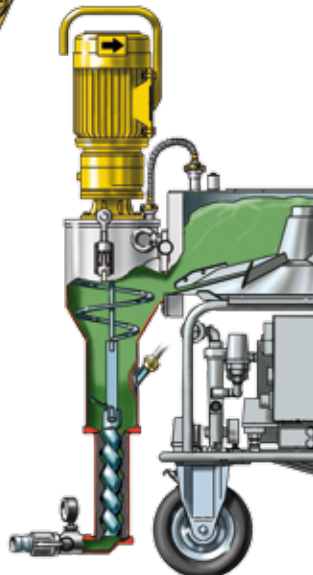
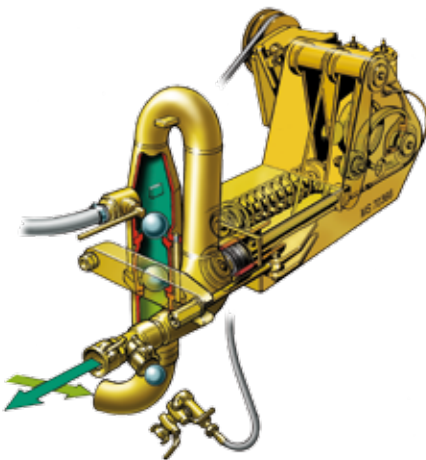
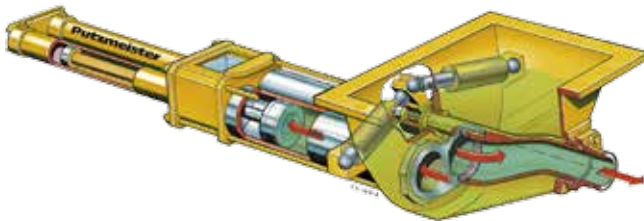
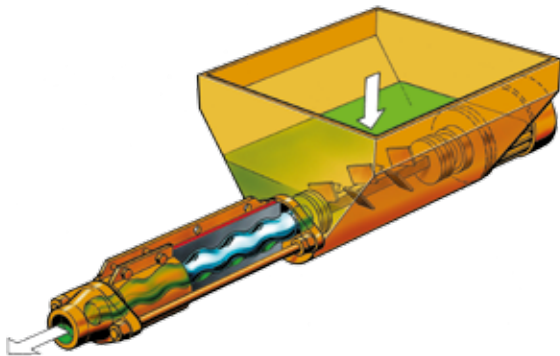
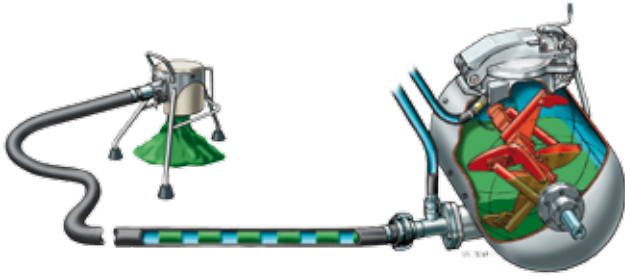


RMM – Ready mixed mortar
(ready mix wet material from container or truck mixer)

Note: Always use a compatible mortar in combination with the machine technology. In you have any questions, please speak to the material manufacturer or contact us directly.

* Depending on material and machine configuration.

Range of pumps – the right system for every application



Our machines are equipped with different pump systems that are tailored to the respective applications.

Compressed-air conveyors

Our conveyors operate according to the plug conveyance principle and are ideally suited to conventional screed applications. Some of the compressed air enters the pressure reservoir as header air and is mixed with the material to be conveyed, while the remainder enters the pressure line in order to separate the material into plugs and push them along the hose. e.g. M 500, M 700, M 720, M 740, M 760, M 760 3B.

Worm pumps

The material flows steadily out of the hopper and into the screw conveyor assisted by the mixer shaft. The conveyor consists of a rotating steel shaft (rotor) and a flexible rubber housing (stator), and the delivery rate and pressures depend on the geometry of these parts. These durable worms have a robust design and are capable of conveying high-viscosity materials. e.g. S 5, SP 11.

Piston pumps

Putzmeister double piston pumps operate with a high degree of reliability. The low-set agitator conveys concrete to the cylinder openings, and two changeover cylinders move the S transfer tube back and forth between the pressure and suction openings. Hard chrome plated delivery cylinders, spectacle wear plates made from hardened steel and the design of the S transfer tube system all guarantee a long service life. e.g. P 715, P 718.

Mechanical single piston pumps

A pump for extreme conditions. The material is conveyed from the trap mixer through the hopper to the intake opening, where the delivery piston draws it through the valve housing. Automatically controlled ball valves then operate to open the channel to the pressure outlet of the pump. The delivery pistons are driven by a cam disc and operate with a counter stroke, whereby one piston only offers a balancing function. e.g. P 13.

Mixer pumps

The hopper can be filled with bagged goods or premixed dry mortar via an air injection hood. The material enters the mixing pipe assisted by the agitator, and the water quantity can be adjusted accurately and added directly to the mortar in the mixing zone. The pump consists of a flexible rotor & stator system, e.g. MP 25.

Solutions for conventional screed

Site mixes (water, aggregate, binder) with a maximum particle size of 16 mm are added to the mixing vessel and then conveyed to the discharge tripod by compressed air.



M 500 - M 760 3 B

Semi-dry floor screed

Solutions for self levelling floor screed

For flowing screeds produced at a screed or concrete plant, and then delivered direct to the construction site after the addition of a retarding admixture, a machine with either a worm pump or a piston pump can be used, depending on the distance, delivery rate/method and particle size (max. 16 mm).

We also offer economical solutions for self levelling floor screed in the form of premixed dry bags or site mixes with a maximum particle size of 4 to 8 mm.



S 5 EF, SP 11 THF, SP 20 THF, MP 25, P 13, P 715

Self levelling floor screed

Solutions for standard and fine plaster

Putzmeister offers a wide range of mixing and pumping systems, primarily different versions of worm pumps for processing premixed dry material with a maximum particle size of 3 to 8 mm.

Alternatively, we also offer a machine with a piston pump for pumpable site mixes containing aggregate (sand), lime or cement and water, which are combined in the trap mixer and applied with a spray gun.



P 12, CM 15, MP 20, MP 25, S 5, P 13, SP 11

Plaster/Fine plaster

Solutions for shotcrete

Shotcrete is manufactured using a special process and conveyed from a truck mixer into the pump hopper. A special spray gun is then used for the technically complex application process. Accelerating admixture that reduces the retarding time of the concrete can be added according to the consistency, coating thickness, etc.



P 13, P 715, P 718

Shotcrete

Solutions for fine grained concrete

Fine grained concrete is characterised by a maximum grain size of 32 mm. The premixed, wear-intensive material is added to the hopper on the machine, and can then be conveyed over long distances to the required placement site, usually by extremely robust, wear-resistant piston pumps.



P 13, P 715, P 718

Fine grained concrete

Solutions for special applications

We have one or more suitable solutions for every special application. Putzmeister machines can be adapted perfectly to specific requirements in combination with the relevant accessory kits.



P 12, CM 15, MP 20, MP 25, S 5, SP 11, P 13

Special applications

Maximum efficiency, maximum economic benefit – because only quality prevails

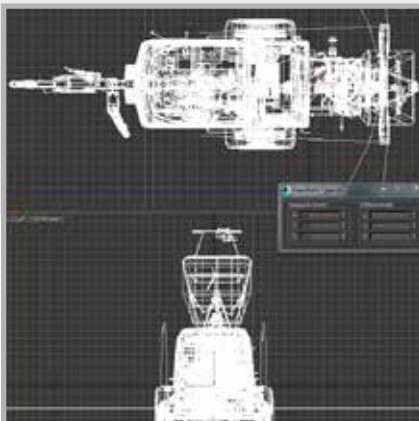


Made in Germany – delivering consistent quality

We believe that only quality prevails. We therefore rely on the **“made in Germany”** quality standard. Most main/drive components are developed and manufactured by Putzmeister or originate from other renowned German manufacturers.

Developed, produced and tested by a single company

More than 200 employees at Putzmeister Mörtelmaschinen in Development, Production and Testing, work hand in hand to make your life easier. However, it is our customers and their individual challenges on construction sites that create a stimulus for improvement.



Putzmeister – at home on any construction site



India, Mumbai



Russia, Ryazan
placement of ~ 100,000 m² of screed



Germany



Maldives, Vilufushi Island



Africa, Zambia, Lusaka



France, Bordeaux

Central Market Project in Abu Dhabi,
Conveying screed in two stages to a
height of 320 m

Eco-friendly and durable – because sustainability is the best policy

Generous power reserves and economical consumption

Putzmeister machines have more than enough power under the hood for every application. They are therefore rarely pushed to their limit. When idling, the motor automatically reduces its speed of rotation even further to save fuel and reduce wear.



Durability maximised right down to the last detail

All materials and components have a maximum life and wear resistance limit. For example, the hood from our Mixokret machines is manufactured from high-strength, extremely impact-resistant plastic. The piston pumps on the P 715, P 718 and P 13 are fitted with hard chrome plated cylinders as well as a spectacle wear plate made from tempered steel – just some of the many practical details.

Less noise – less working stress

We keep noise levels to a minimum. Our engines are extremely quiet and operate efficiently, even at low speeds. They are also sound-insulated. The user-friendly exhaust air system also prevents the operator from being bothered unnecessarily during work.

Material selected according to the application

Delivering fine plaster creates a whole new set of challenges for machine components compared to pumping sand or aggregate. At the same time, costs must remain transparent, in particular those of spare parts. Our machines are therefore fitted with components whose service life is designed for the specific application.

Repairable design for outstanding value retention

Service and maintenance characteristics play an important role in the design of our machines, because the easier it is to access all components on the machine, the less time and money is invested to complete essential work and the longer it is worth repairing. We keep more than 12,000 items in stock should the worst come to the worst, and even spare parts for older models are available at short notice. Fortunately, there are more available than you think.



On the safe side with Putzmeister

Our customers appreciate the fact that our machines are considered premium-class products in terms of quality, productivity and durability. You can also rest assured that our products comply with all currently applicable standards and Machinery Directives. Ultimately, it is a win-win situation in terms of safety for users who work with and around the machine as well as for owners because the investment is protected against possible damage.

- Cement screed
- Calcium sulphate screed (anhydrite)
- Magnesia screed



Mixokret M 500 / M 700 / M 720

Lightweight, compact alternatives for a wide range of applications



- Sand and aggregate

Equipment standard / option:	M 500 E	M 700 E	M 720 DHB
Central mixing vessel outlet	■	■	■
Discharge stand	■	■	■
Grease cartridge	■	■	■
Instruction manual and spare parts list	■	■	■
Lever press with hose	■	■	■
Manual lid	■	■	■
Standard colour paintwork	■	■	■
Truck coupling	■	■	□
Car coupling	-	-	■
Bumped boiler end set	-	□	□
Centralised lubrication system	-	-	□
Customer labelling	-	-	□
High-pressure cleaner	-	-	□
Wear plates at the dome	-	□	-

- Not available □ Option ■ Standard

* The data is based on experience and depends on the materials used.

** Recommend air volume = 4m³/min. Higher air volume increases the delivery distance.

Variety adapted to customer requirements

- Different mixing vessel volumes allow longer delivery intervals
- Large hand hole and additional cleaning connections for faster cleaning
- Lock and grille on the cover for increased safety
- Flexible use of hoses and pressure connections depending on machine and application



Robust, wear-resistant, economical

- Also suitable for extremely coarse materials (M 500 to 32 mm maximum particle size)
- Reinforced, hot-dip galvanised hopper for greater robustness and durability



M 500/M 700 – Electrically powered + flexible with external compressor

- Lightweight, electrically powered screed conveyor with 7.5 kW (M 700) or 18.5 kW motor (M 500)
- Air connection for external auxiliary compressor, therefore purchase price is lower as a result
- Easy to transport and move on the construction site



M 720 – Fully-fledged screed machine with compact dimensions

- Ideal for screed jobs with a maximum placement volume of 150 m² per day, and use with lightweight towing vehicles
- High-quality processing and economic diesel engine for greater cost effectiveness
- Simple, clearly laid out controls and loader for ergonomic working conditions



Technical data	M 500 E	M 700 E	M 720 DHB
Part no.	111 598.003	111 599.002	111 653.000
Mixing vessel	640 l, 500 l useful capacity	260 l, 200 l useful capacity	200 l, 160 l useful capacity
Delivery rate (theor.)*	4 m ³ /h	3.8 m ³ /h	3.5 m ³ /h
Max. delivery pressure	7 bar	7 bar	5 bar
Delivery range**	120 m horizontal, 60 m vertical (approx. 20 storeys)	120 m horizontal, 60 m vertical (approx. 20 storeys)	80 m horizontal, 45 m vertical (15 storeys)
Compressor	required with output of 4 m ³ /min and 7 bar operating pressure or higher**	required with output of 2.5 m ³ /min and 7 bar operating pressure or higher**	2,500 l/min at 4.5 bar
Engine	Electric 18.5 kW, 400 V 3-phase 50 Hz, 32 A	Electric 7.5 kW, 400 V 3-phase 50 Hz, 16 A	3-cylinder Kubota diesel, 22.5 kW at 2,300 rpm
Fuse	CEE 63 connector	CEE 32 socket	–
Weight	1,200 kg	700 kg	1,280 kg
Length × width × height	3,730 × 1,400 × 1,410 mm	2,670 × 1,280 × 1,190 mm	3,940 × 1,550 × 2,450 mm
Loader height (vertical)	1,410 mm	1,190 mm	2,450 mm
Filling height	1,140 mm	860 mm	700 mm
Maximum particle size	32 mm	16 mm	16 mm
Pressure connection	KKV 70	KKV 70	KKV 70

Semi-dry floor
screed

- Cement screed
- Calcium sulphate screed (anhydrite)
- Magnesia screed



Mixokret M 740

Power and durability

Scaper
to fill easily

Noise emission
reduced up to 2 dB

Hydraulic feeder
to work more efficiently

Operating panel
clear and userfriendly

Fuel reduction
of up to 15% due to
optimized compressor unit

Tool box integrated
all necessary tools on board

Chassis with autom.
brake adjustment



Equipment standard / option:

M 740

Autom. brake adjustment	■
Car coupling	■
Central lubrication system	■
Discharge stand	■
Grease pump for lubrication system	■
Instruction manual and spare parts list	■
Lever press with hose	■
Lifting eye	■
Reservoir gauge in control panel	■
Toolbox 40 l integrated	■
Working lights	■
Conversion to 100 km/h	□
High-pressure cleaner	□
Light holder 24 V	□
Location system	□
Mixing time adjustment	□
Protective plate for feeder	□
Special canopy paint in RAL colours / Customer labelling	□
Support feet	□
Truck coupling	□
Wear plates at the dome	□
Wear plates, highly wear-resistant (lateral)	□
Wear plates, plastic, highly wear-resistant	□
Wear plates front end (impact protection bars)	□

– Not available □ Option ■ Standard

Special applications

- Sand and aggregate

Made for working

- Air valve fitting, instruments and important indicators are all within view and easy to reach
- Robust main switch (on/off, EMERGENCY STOP, pressure gauge) not covered to provide easier access
- „Made in Germany“ durability and quality guarantees a high resale value



User-friendly cooling system

- Innovative user-friendly exhaust air system and additional exhaust air shaft
- Effective cooling of interior, compressor and engine reduces heat build-up



Powerful drive unit

- Automatic engine speed control for greater economy and resistance to wear
- Even pumping characteristics that reduce stress on the machine
- Constant material flow and fewer impacts in the hose lines



Modern, practical design

- Strong canopy shape and design for better value retention
- Reinforced, hot-dip galvanised hopper for greater robustness and durability
- Optimised maintenance and service features due to improved accessibility
- Hydraulically powered loader and scraper with radio remote control with emergency switch on/off.



Technical data	M 740 D	M 740 DB	M 740 DBS
Part no.	111 645.1XX	111 642.2XX	111 645.3XX
Mixing vessel	260 l, 200 l useful capacity	260 l, 200 l useful capacity	260 l, 200 l useful capacity
Delivery rate (theor.)*	3.8 m ³ /h	4.6 m ³ /h	5 m ³ /h
Delivery pressure	8 bar	8 bar	8 bar
Delivery range*	180 m horizontal / 90 m vertical (30 storeys)		
Compressor	4.35 m ³ /min; cut-off pressure 8 bar		
Engine	3-cylinder Deutz diesel; 33.5 kW at 2,500 rpm (emission category III A)		
Weight (fully fuelled)	1,542 kg	1,740 kg	1,814 kg
Tank capacity	60 l	60 l	60 l
Length × width × height	4,780 × 1,480 × 1,520 mm	5,075 × 1,480 × 2,431 mm	5,075 × 1,480 × 2,431 mm
Filling height	820 mm	400 mm	400 mm
Maximum particle size	16 mm	16 mm	16 mm
Chassis	braked, with autom. brake adjustment approved for speeds up to 80 km/h		
Special feature	Basic version	with hydraulic feeder	with hydraulic feeder and scraper

* The data is based on experience and depends on the materials used.

Semi-dry floor
screed

- Cement screed
- Calcium sulphate screed (anhydrite)
- Magnesia screed



Mixokret M 760 (Export version)

Maximum engine power for challenging tasks



Equipment standard / option:

Equipment standard / option:	M 760
Autom. brake adjustment	■
Car coupling	■
Central lubrication system	■
Discharge stand	■
Grease pump for lubrication system	■
Instruction manual and spare parts list	■
Lever press with hose	■
Lifting eye	■
Reservoir gauge in control panel	■
Working lights	■
Conversion to 100 km/h	□
High- pressure cleaner	□
Light holder 24 V	□
Location system	□
Mixing time adjustment	□
Protective plate for feeder	□
Special canopy paint in RAL colours/Customer labelling	□
Support feet	□
Truck coupling	□
Wear plates at the dome	□
Wear plates, highly wear-resistant (lateral)	□
Wear plates, plastic, highly wear-resistant	□
Wear plates front end (impact protection bars)	□

– Not available □ Option ■ Standard

Special applications

- Sand and aggregate

Maximum engine power

- Oil-cooled 4-cylinder Deutz diesel engine with an efficient compressor for maximum pump output, and enough reserve power for more challenging jobs
- Optimised compressor for even pumping characteristics, constant material flow and reduced impacts in the hose lines
- Flexible, low-maintenance hydraulic mixer drive



Practical clearly laid out controls

- Air valve fitting, instruments and important indicators are all within view and easy to reach
- Robust main switch (on/off, EMERGENCY STOP, pressure gauge) not covered to provide easier access
- Other instruments and displays protected safely under cover



Effective cooling system

- Innovative exhaust air system and additional exhaust air shaft for improved cooling capacity and greater user-friendliness
- Effective cooling of interior, compressor and engine reduces heat build-up



Modern, practical design

- Stronger canopy shape and design for better value retention
- Reinforced, hot-dip galvanised hopper for greater robustness and durability
- Optimised maintenance and service features due to good accessibility
- Hydraulic loader and scraper with improved radio control unit



Technical data	M 760 DH	M 760 DHB	M 760 DHBS
Part no.	111 646.1XX	111 646.2XX	111 646.3XX
Mixing vessel	260 l, 200 l useful capacity	260 l, 200 l useful capacity	260 l, 200 l useful capacity
Delivery rate (theor.)*	4 m ³ /h	4.8 m ³ /h	5 m ³ /h
Delivery pressure	8 bar	8 bar	8 bar
Delivery range*	200 m horizontal / 150 m vertical (50 storeys)		
Compressor	5.0 m ³ /min; cut-off pressure 8 bar		
Engine	4-cylinder Deutz diesel; 46 kW at 2,600 rpm (not available in the EU)		
Weight (fully fuelled)	1,720 kg	1,826 kg	1,900 kg
Tank capacity	60 l	60 l	60 l
Length × width × height	4,780 × 1,480 × 1,520 mm	5,075 × 1,480 × 2,431 mm	5,075 × 1,480 × 2,431 mm
Filling height	820 mm	400 mm	400 mm
Maximum particle size	16 mm	16 mm	16 mm
Chassis	braked, with autom. brake adjustment approved for speeds up to 80 km/h		
Special feature	Basic version	with hydraulic feeder	with hydraulic feeder and scraper

* The data is based on experience and depends on the materials used.

Semi-dry floor screed

- Cement screed
- Calcium sulphate screed (anhydrite)
- Magnesia screed



Mixokret M 760 3 B

Environmentally friendly power unit



Equipment standard / option:

Equipment standard / option:	M 760 3B
Automatic brake adjustment	■
Car coupling	■
Central lubrication system	■
Discharge stand	■
Grease pump for lubrication system	■
Instruction manual and spare parts list	■
Lever Press with hose	■
Lifting eye	■
Reservoir gauge in control panel	■
Working lights	■
Auto-Power-Off	□
Conversion to 100 km/h	□
High-pressure cleaner	□
Light holder 24 V	□
Location system	□
Mixing time adjustment	□
Performance management	□
Protective plate for feeder	□
Special canopy paint in RAL colours/Customer labelling	□
Support feet	□
Truck coupling	□
Wear plates at the dome	□
Wear plates, highly wear-resistant (lateral)	□
Wear plates, plastic, highly wear-resistant	□
Wear plates front end (impact protection bars)	□

– Not available □ Option ■ Standard

Special applications

- Sand and aggregate

Maximum engine power

- Environmentally friendly operation with increased performance according to the water-cooled 48.5 kW diesel engine with modern common-rail-technology and an integrated diesel particle filter
- Optimised compressor for even pumping characteristics, constant material flow and reduced impacts in the hose lines
- Flexible, low-maintenance hydraulic mixer drive



New operating concept

- New operating keypad to the principle „follow the blue light“, the operator will be navigated through the several functions
- Robust main switch (on/off, EMERGENCY STOP, pressure gauge) not covered to provide easier access
- Other instruments and displays protected safely under cover



Effective cooling system

- Innovative exhaust air system and additional exhaust air shaft for improved cooling capacity and greater user-friendliness
- Effective cooling of interior, compressor and engine reduces heat build-up



Modern, practical design

- More safety - due to the automatic brake adjustment, manual adjustment of the brakes is no more necessary
- Reinforced, hot-dip galvanised hopper for greater robustness and durability
- Optimised maintenance and service features due to good accessibility
- To save fuel on small construction sites it is possible to reduce the performance of the compressor unit (performance management optional)



Technical data	M 760 DH 3 B	M 760 DHB 3 B	M 760 DHBS 3 B
Part no.	111 643.1XX	111 643.2XX	111 643.3XX
Mixing vessel	260 l, 200 l useful capacity	260 l, 200 l useful capacity	260 l, 200 l useful capacity
Delivery rate (theor.)*	4 m ³ /h	4.8 m ³ /h	5 m ³ /h
Delivery pressure	8 bar	8 bar	8 bar
Delivery range*	200 m horizontal / 150 m vertical (50 storeys)		
Compressor	5.0 m ³ /min; cut-off pressure 8 bar		
Engine	4-cylinder diesel, water-cooled 48.5 kW at 2700 rpm (emission stage 3B)		
Weight (fully fuelled)	1,720 kg	1,826 kg	1,900 kg
Tank capacity	ca. 70 l	ca. 70 l	ca. 70 l
Length × width × height	4,780 × 1,480 × 1,520 mm	5,075 × 1,480 × 2,431 mm	5,075 × 1,480 × 2,431 mm
Filling height	820 mm	400 mm	400 mm
Maximum particle size	16 mm	16 mm	16 mm
Chassis	braked, with autom. brake adjustment approved for speeds up to 80 km/h		
Special feature	Basic version	with hydraulic feeder	with hydraulic feeder and scraper

* The data is based on experience and depends on the materials used.

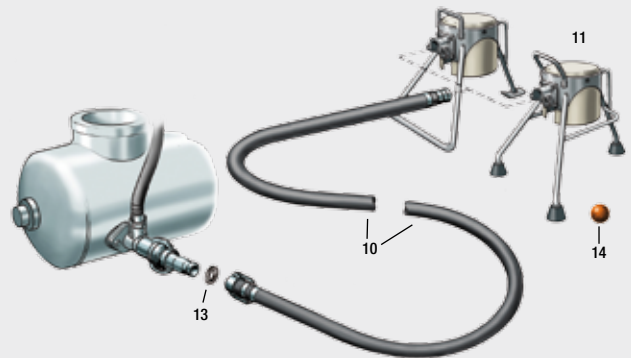
Mixokret accessories

Standard delivery line for Mixokret PM 50/ID 50 mm (max. grain size 8 mm*)



Complete set, part no. 533 089
≈ 40 m long, consisting of:

Part	Part no.	Fig.
2× ID 50 mm hose, 10 bar, 20 m length	501 915	10
1× Discharge stand, 3 legs, aluminium ID 50	529 743	11
2× O-ring	010 207.000	13
6× Sponge ball, Ø 60 mm for delivery hose ID 50	000 212.005	14
1× Reducer piece ID 65, KKV 70 / ID 50	071 790.006	
2× Rectangular gasket	213 266.000	

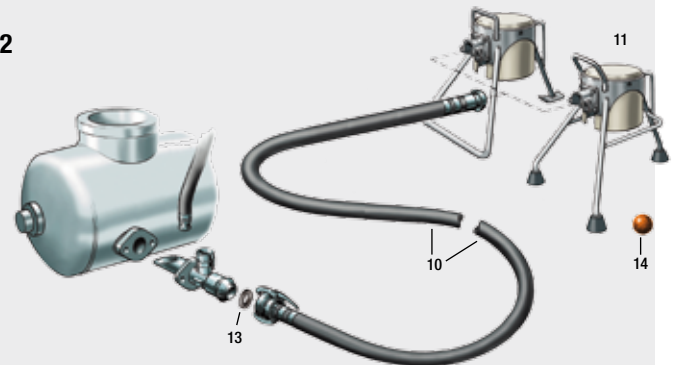


Delivery line KK 70 for Mixokret ID 65 mm (grain size of up to 12 mm*)



Complete set, part no. 533 092
≈ 80 m long, consisting of:

Part	Part no.	Fig.
8× ID 65 mm KK 70 hose, 10 bar, 10 m length	456 831	10
1× Discharge stand, 3 legs, aluminium KK 70	529 744	11
8× O-ring	010 207.000	13
8× Sponge ball, Ø 80 mm for delivery hose ID 65	000 246.000	14

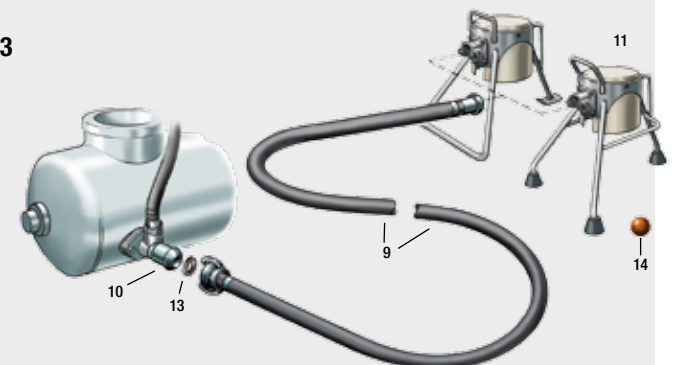


Delivery line KK 89 for Mixokret ID 65 mm (grain size of up to 12 mm*)



Complete set, part no. 533 093
≈ 80 m long, consisting of:

Part	Part no.	Fig.
8× ID 65, KK 89 / HR hose, 10 bar, 10 m length	443 675	9
1× KKV 89 coupling	209 205.004	10
1× Discharge stand, 3 legs, aluminium KK 89	529 745	11
8× O-ring	002 224.004	13
8× Sponge ball, Ø 80 mm for delivery hose ID 65	000 246.000	14

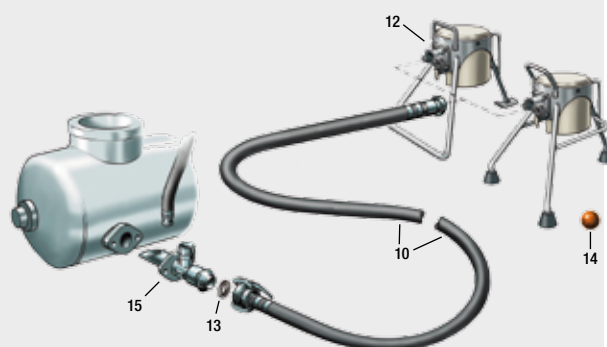


Delivery line KK 89 for Mixokret ID 90 mm (grain size of up to 16 mm*)



Complete set, part no. 533 095
≈ 80 m long, consisting of:

Part	Part no.	Fig.
8× ID 90 mm KK 89 hose, 10 bar, 10 m length	455 436	10
1× Discharge stand, with runner, steel KK 89	529 748	12
8× O-ring	002 224.004	13
8× Sponge ball, Ø 120 mm for delivery hose ID 90	016 091.003	14
1× Special outlet cpl. ID 90, KKV 89	073 640.002	15

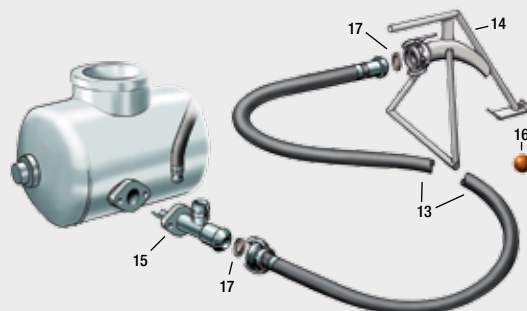


Delivery line KK 108 for Mixokret ID 90 mm (grain size of < 32 mm*)



Complete set, part no. 533 096
≈ 80 m long, consisting of:

Part	Part no.	Fig.
8× ID 90 mm KK 108 hose, 10 bar, 10 m length	454 406	13
1× Discharge stand, with runner, steel KK 108	209 811.003	14
1× Special outlet cpl. ID 90, KKV 108	419 634	15
8× Sponge ball, Ø 120 mm for delivery hose ID 90	016 091.003	16
8× O-ring	210 580.006	17



* Depending on the material to be conveyed.



S 5 EF

The compact, electric liquid screed pump

Vibrator with vibrating screen
for constant material flow

Self levelling floor screed

- Cement floor screed
- Calcium sulphate screed (anhydrite)



Large hopper

for greates amount of material, easy to clean

Cardan shaft plugged

for quick change of worm parts

Well-protected drive

Equipment standard / option:

S 5 EF

Adapter V 50-M35

■

Cleaning tool

■

Grease cartidge

■

Instruction manual and spare parts list

■

Seal ring for mortar coupling

■

Standard colour paintwork

■

Standard tool

■

Vibrating screen

■

Cable remote control 20 m

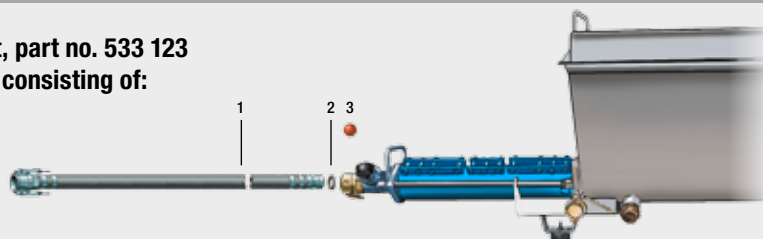
□

– Not available □ Option ■ Standard

Accessories for processing self levelling floor screed with S 5 EF

Complete set, part no. 533 123

≈ 40 m long, consisting of:



Part	Part no.	Fig.	Optional accessories	Part no.
3× Delivery hose ID 50, V 50, M 50 13.3 m	501 914	1	1× PM grout, 18 l storage tank, 25 pcs	266 743.004
5× Sponge ball ID 50	000 212.005	3		
5× Sealing ring ID 50	213 266.000	2		

Worm pump with powerful 7.5 kW drive

- Electrically powered auger pump with powerful constant drive
- Ideal for larger quantities of material, like when conveying self levelling floor screed



Robust and economical

- Frame and hopper manufactured from robust steel components
- Hinged grille provides ample access for maintenance and cleaning
- Slide-on cardan shaft allows the quick replacement of auger components without using tools
- Site chassis with pneumatic tyres



User-friendly concept

- Easily detachable vibrating screen prevents foreign objects or material with an excessive grain size from entering the pump
- Central position of all control elements and control cabinet with 32 A connection



Equipment for conveying self levelling floor screed is provided on board

- Machine operated from the installation location using cable remote control supplied as standard
- Large 130 l hopper for rapid filling from truck mixer
- Vibrator ensures a continuous supply of material
- Mixing spirals on the cardan shaft increase the homogeneity of the conveyed material



Technical data

S 5 EF

Part no.	111 635.090
Hopper volume	130 l
Pump	Worm pump 2L74
Delivery rate (theor.)*	90 l/min.
Delivery pressure	25 bar
Delivery range**	60 m horizontal, 40 m vertical
Engine	7.5 kW, 400 V / 50 Hz
Weight	260 kg
Length × width × height	2,610 × 680 × 770 mm
Filling height	770 mm
Maximum particle size	8 mm
Pressure connection	M 50

* The delivery rate depends on the pump model, and can vary in accordance with the pump used.

** The data is based on experience and depends on the materials used.



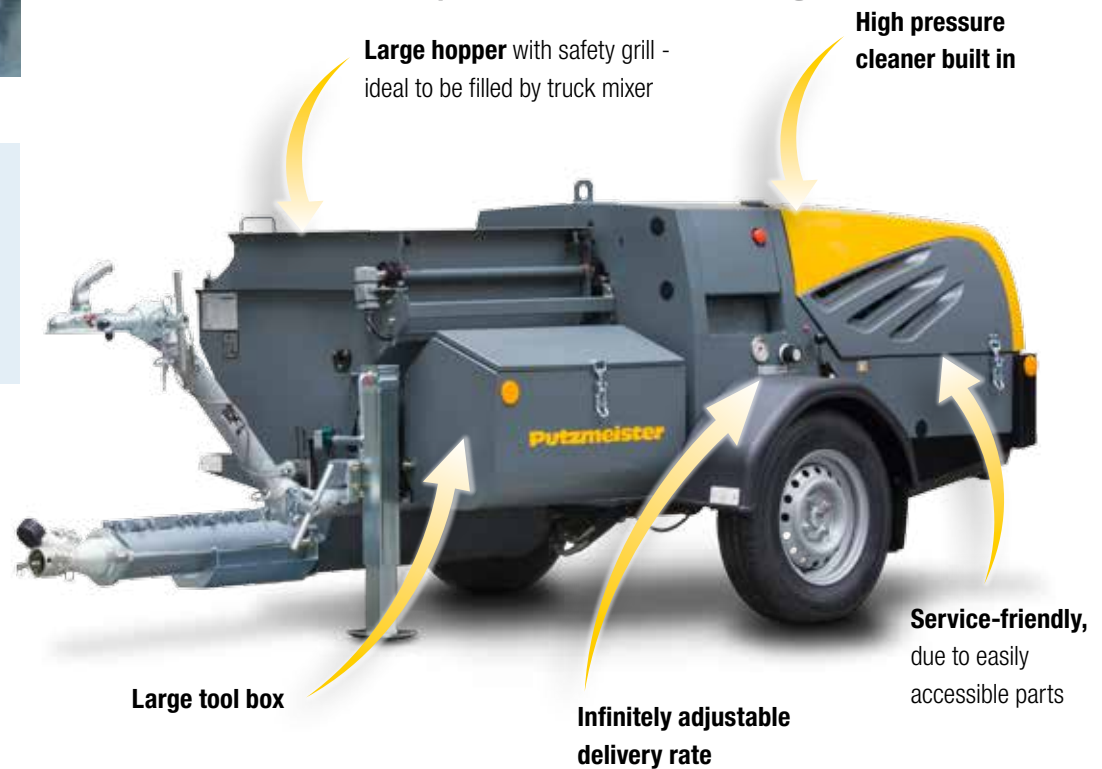
Self levelling floor screed

- Calcium sulphate screed (anhydrite)
- Cement floor screed



SP 11 THF

Convenient, economical placement of self levelling floor screed



Equipment standard / option:	SP 11 THF ECO	SP 11 THF Comfort
Car cable adapter	■	■
Car coupling	■	■
Cleaning tool	■	■
Cover grille MW 15	■	■
Grease cartridge	■	■
High-pressure cleaner	■	■
Instruction manual and spare parts list	■	■
Lever press with hose	■	■
Seal ring for mortar coupling	■	■
Standard colour paintwork	■	■
Standard tool	■	■
Vibrator	■	■
Cable remote control	□	□
Radio remote control	□	□
Radio remote control with adjustable delivery rate	□	■
Screen grille MW 10	□	□
Special canopy paint in RAL colours	□	□
Support wheel	□	□
Truck coupling	□	□
Working lights	□	□

– Not available □ Option ■ Standard

See page 48 in the catalogue for a list of suggested accessories.

Specialist for liquid screed applications

- Continuous, convenient processing of self levelling floor screed
- Infinitely adjustable delivery rate using hydraulic pump control
- Weighs less than 750 kg on an unbraked chassis for simple transportation



Powerful diesel engine

- Extremely reliable 4-cylinder engine, economical and quiet due to low speed
- High delivery rate of up to 15 m³/h
- Independent of power supply



Large hopper for efficient working progress

- Optimised grille and enhanced vibrator prevent foreign bodies or material with an excessive grain size from entering the pump, and guarantee a continuous material flow even when conveying screeds containing plastic or metal fibres
- Ideal for loading from a truck mixer for self levelling screed applications
- Infinitely adjustable delivery rate



User-friendly concept

- Good accessibility and integrated high-pressure cleaner for easy servicing, maintenance and cleaning
- Modern easy-care design, in particular the hard-wearing plastic canopy
- Large toolbox (100 l) for spray lance, tool, spare parts, water hose, etc.



Technical data	SP 11 THF
Part no.	111 626.600
Hopper volume	220 l
Pump	Worm pump 2L75
Delivery rate (theor.)*	0-15 m³/h (250 l/min)
Delivery pressure	20 bar
Delivery range**	100 m horizontal, 60 m vertical
Engine	4-cylinder Kubota diesel; 22.7 kW at 2,600 rpm
Weight (fully fuelled)	under 750 kg
Length × width × height	3,260 × 1,420 × 1,160 mm
Filling height	1,000 mm
Maximum particle size	8 mm
Chassis	unbraked, suitable for road use

* The delivery rate depends on the pump model, and can vary in accordance with the pump used.

** The data is based on experience and depends on the materials used.

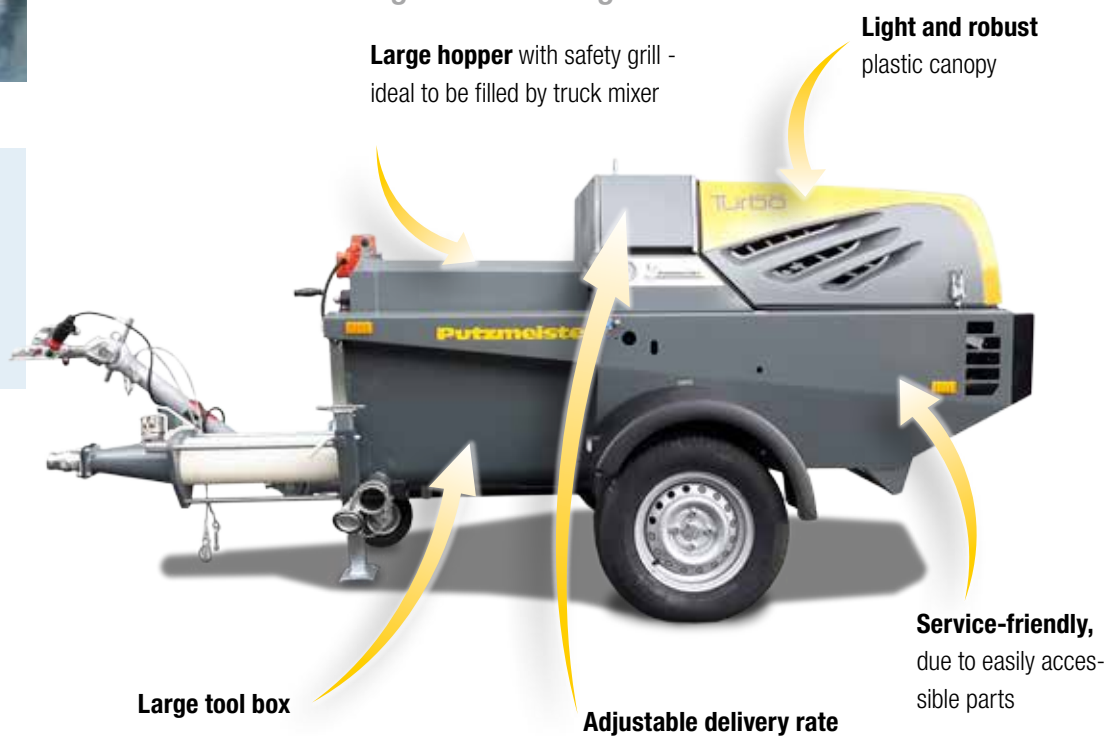


SP 20 THF

Turbomachine for large self-levelling floor tasks

Self levelling floor screed

- Calcium sulphate screed (anhydrite)
- Cement floor screed



Large tool box

Adjustable delivery rate

Equipment standard / option:	SP 20 THF
Car cable adapter	■
Car coupling	■
Cleaning tool	■
Cover grille MW 10	■
Grease cartridge	■
Instruction manual and spare parts list	■
Lever press with hose	■
Radio remote control with adjustable delivery rate	■
Standard colour paintwork	■
Support wheel	■
Vibrator	■
Battery charger, integrated	□
Chassis, braked	□
High-pressure cleaner	□
Screen grille MW 15	□
Special canopy paint in RAL colours	□
Truck coupling	□

– Not available □ Option ■ Standard

See page 48 in the catalogue for a list of suggested accessories.

Specialist for liquid screed applications

- Continuous, comfortable processing of liquid screeds
- Adjustable delivery rate using control panel and radio remote control



Powerful diesel engine

- Extremely reliable 4-cylinder engine, turbo for extra power
- High delivery rate of up to 20 m³/h
- Independent of power supply



Designed especially for construction sites

- Ideal for loading from a truck mixer for self levelling screed applications
- Protection grid facilitates the passage of fibers
- Light and very well balanced machine
- Extended equipment such as, storage box or built-in battery charger integrated



User-friendly concept

- Good accessibility and integrated high-pressure cleaner for easy servicing, maintenance and cleaning
- Modern easy-care design, in particular the hard-wearing plastic canopy
- Simple and intuitive control panel



Technical data	SP 20 THF
Part no.	111 657.XXX
Hopper volume	220 l
Pump	Worm pump 7515
Delivery rate (theor.)*	20 m ³ /h
Delivery pressure	20 bar
Delivery range**	up to 200 m horizontal
Engine	4-cylinder Kubota diesel; 33 kW at 3000 rpm
Weight	750 kg
Length × width × height	3,317 mm × 1,530 × 1,180 mm
Filling height	1,180 mm
Maximum particle size	12 mm
Chassis	unbraked, suitable for road use

* The delivery rate depends on the pump model, and can vary in accordance with the pump used.

** The data is based on experience and depends on the materials used.



MP 20 EV

Compact, powerful and versatile



- Dry mortar for interior or exterior applications
- Gypsum plaster
- Primers
- Levelling compounds
- Soft and liquid materials

Plaster/Fine plaster



- Wet mortar
- Cementitious adhesive
- ETICS products
- High mixing quality for joint and frame sealant

Special applications

Equipment standard / option:	MP 20 EV
Air and mortar hose	■
Bag opener	■
Cleaning tool	■
Compressor	■
Discharge pressure gauge on pump outlet	■
Instruction manual and spare parts list	■
Pneumatic remote control	■
Spray gun	■
Vibrator	■
Water pump	■

– Not available □ Option ■ Standard

Fully-fledged mini mixing pump for alternating current

- Compact, powerful electric motor with 230 V
- Water pump for a constant, adequate water pressure
- Especially suitable for small construction sites or for jobs on several floors



Modern, practical design

- Large hopper with hinged grille and bag opener
- Integral machine vibrator for minimal material losses and a continuous material flow
- Integrated theft protection due to detachable switch box



Convenient operation

- Delivery pump mode with infinitely adjustable delivery rate
- Clear layout of the operating panel
- Dismantles into 4 parts
- Easy to clean
- Easy to transport



Comprehensive range of standard equipment

- Compressor (180 l/ min)
- Air (16 m) and mortar hose (10 m)
- Spray gun



Technical data

MP 20 EV

Part no.	111 667.000
Hopper volume	75 l
Delivery rate (theor.)*	2-12 l/min
Delivery pressure	Max. 30 bar
Delivery range**	25 m horizontal, 10 m vertical
Fuse	16 A
Water pump	2.4 m ³ /h, 0.5 kW
Compressor	180 l/min, 0.52 kW
Pump	D5 - 2,5 ECO
Engine	3.0 kW, 230 V / 1 / PE / 50 Hz / 60 Hz
Weight, total ¹	153 kg
Length × width × height	1,500 × 600 × 1,200 mm
Filling height	1,040 mm
Maximum particle size	3 mm

* The delivery rate depends on the pump model, and can vary in accordance with the pump used.

** The data is based on experience and depends on the materials used.

¹ Unit weights: Control 45 kg, mixing unit 49 kg, drive unit 45 kg, compressor 14 kg



MP 25 Mixit

Maximum efficiency for processing premixed dry mortar. Ready for immediate use as a complete set of accessories is included

Self levelling floor screed

- Self levelling compound
- Calcium sulphate screed



Plaster/Fine plaster

- Exterior plaster (lime, lime cement and insulating plaster)
- Interior plaster (gypsum/gypsum-lime plaster)



Conical mixing pipe
for optimum material flow

Large vessel
with bag opener

Water pump
built in for constant water flow

Compressor with pressure cut-off
to work more safe

Worm parts easy to change
according to each application

Equipment standard / option:	MP 25 MIXIT 3 × 400 V 50 HZ	MP 25 MIXIT Export-Version
Air hose ½" Geka	■	■
Cleaning tool	■	■
Compressor	■	■
Hose adapter	■	■
Instruction manual with spare parts list	■	■
Mortar hose	■	■
Spray gun	■	■
Standard colour paintwork	■	■
Water pump, self-priming	■	■
ID 25 accessories	■	□
ID 35 accessories	□	■
Suction hose with filter	□	■
Air injection hood	□	□
Cable remote control + extension	□	□
Insulating plaster attachment	□	□
Spacer plates	□	□

– Not available □ Option ■ Standard

Special applications

- Self levelling compound
- ETICS

Large vessel (115 l)

- Saves time because less material has to be refilled
- Less cleaning required
- Convenient to fill



Conical mixing pipe

- Conical mixing pipe for optimised material flow, fewer blockages, easy to clean
- Mixing pipe separated from mixing tank to allow easier dosage
- Integrated water pressure booster pump provides the necessary water pressure and quantity to achieve the right mixing quality



Convenient design

- Can be dismantled into manageable sections without using tools and then transported easily
- Easy access to the flow meter
- Wedge closing devices that secure the stator eliminate the need for special tools to perform maintenance work and replace components



Added value for the construction site

- Integrated compressor with automatic pressure cut-out guarantees a safer working environment
- Convenient adjustment of water dosage quantity
- Pneumatic remote control for convenient operation from your working area
- Extensive range of accessories for special customer-specific applications



Technical data	MP 25 MIXIT 3 × 400 V 50 HZ	MP 25 MIXIT – Export version
Part no.	111 417.300	111 417.310
Mixing vessel	115 l	115 l
Delivery rate (theor.)*	25 l/min	40 l/min
Delivery pressure	40 bar	20 bar
Delivery range**	40 m horizontal, 15 m vertical	30 m horizontal, 15 m vertical
Air compressor	0.55 kW, 200 l/min	0.55 kW, 200 l/min
Pump	Worm pump D6 Power	Worm pump D5 short
Engine	400 V / 50 Hz / 5.5 kW at 392 rpm	400 V / 50 Hz / 5.5 kW at 392 rpm
Drum drive	1.1 kW at 23 rpm	1.1 kW at 23 rpm
Water pump	0.78 kW at 3.4 m ³ /m	0.78 kW at 3.4 m ³ /m
Weight	240 kg	240 kg
Length × width × height	1,324 × 728 × 1,443 mm	1,324 × 728 × 1,443 mm
Filling height	984 mm	984 mm
Pressure connection	M35 / V 25–40	M35 / V 25–40
Maximum particle size	4 mm	4 mm
Special feature	Hose ID 25 for high-quality materials	Hose ID 35 for low-quality materials

Special voltages are available on request.

* The delivery rate depends on the pump model, and can vary in accordance with the pump used.

** The data is based on experience and depends on the materials used.

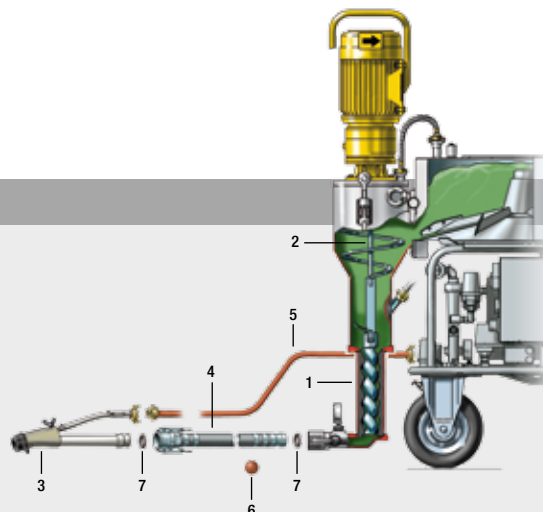
Accessories MP 25

Accessories for processing premixed dry mortar (impressive power of 40 l/min)



Complete set, part no. 533 072
 ≈ 30 m long, consisting of:

Part	Part no.	Fig.
1× Pump parts - Screw conveyor D8-2 - Screw conveyor barrel D8-2	435 743 436 746	1 1
1× Universal mixer shaft MP 25	211 773.003	2
1× Spray gun, short and straight, V 35	203 054.002	3
2× Mortar hose ID 35, 13.3 m long	207 615.007	4
2× Air hose, ½", 20 m	001 665.004	5



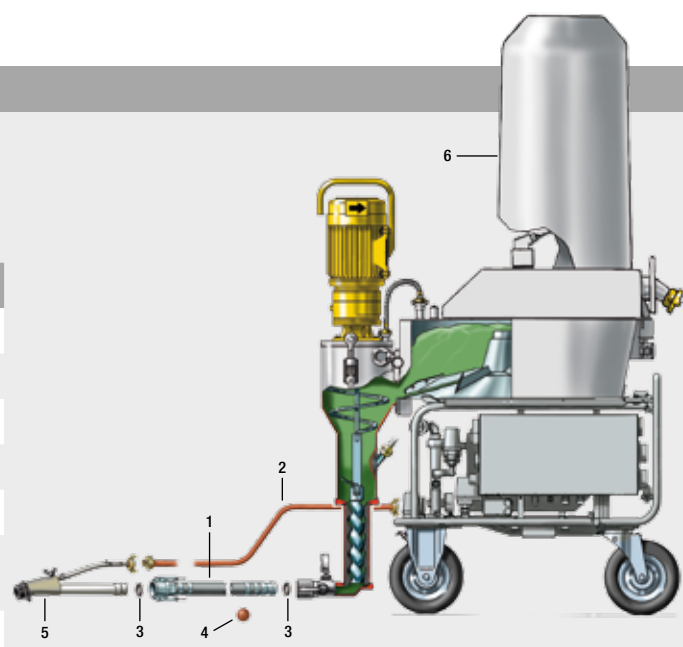
Part	Part no.	Fig.
10× Sponge ball Ø 45 mm	065 044.001	6
10× Seal ID 35	213 725.004	7
3× Hose holder, leather	000 206.008	

Accessories for the processing of premixed dry mortar from a silo



Complete set, part no. 533 078
 ≈ 30 m long, consisting of:

Part	Part no.	Abb.
2× Mortar hose ID 35, 13.3 m long	207 615.007	1
2× Air hose, ½", 20 m	001 665.004	2
10× Seal ID 35	213 725.004	3
10× Sponge ball Ø 45 mm	065 044.001	4
1× Spray gun, short and straight V 35	203 054.002	5
1× Feed hood with remote control cable Probe, rectangular	212 324.008	6
3× Hose holder, leather	000 206.008	

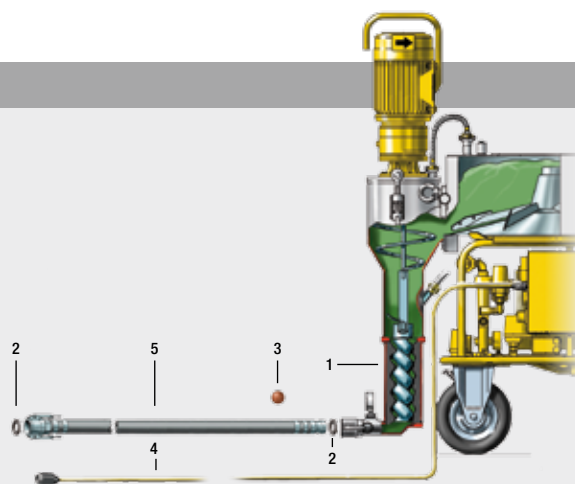


Accessories for processing self levelling floor screed



**For a delivery range of 40 m,
 you will require:**

Part	Part no.	Fig.
1× Pump parts - Screw conveyor D8-2 - Screw conveyor barrel D8-2	435 743 436 746	1 1
10× Seal ID 35	213 725.004	2
10× Sponge ball Ø 45 mm	065 044.001	3
1× Electric remote control with on/off switch, 60 m long	269 447.006	4
3× Mortar hose ID 35, 13.3 m long	207 615.007	5



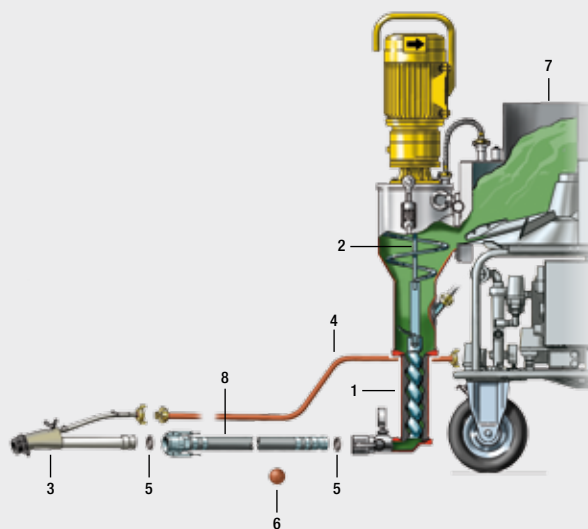
Optional accessories	Part no.	Fig.
1× PM grout, 18 l storage tank, 25 pcs	266 743.004	

Accessories for processing insulating plaster (impressive power of 40 l/min)



Complete set, part no. 533 074
≈ 40 m long, consisting of:

Part	Part no.	Fig.
1× Pump parts - Screw conveyor D8-2	435 743	1
- Screw conveyor barrel D8-2	436 746	1
1× Mixer shaft for insulating plaster MP 25	212 262.005	2
1× Spray gun, with shut-off valve ID 35	209 174.009	3
3× Mortar hose ID 35, 13.3 m	207 615.007	8
2× Air hose, ½", 20 m	001 665.004	4
10× Sponge ball Ø 45 mm	065 044.001	6
10× Seal ID 35	213 725.004	5
3× Hose holder, leather	000 206.008	
1× Attachment collar for insulating plaster MP 25	212 325 007	7

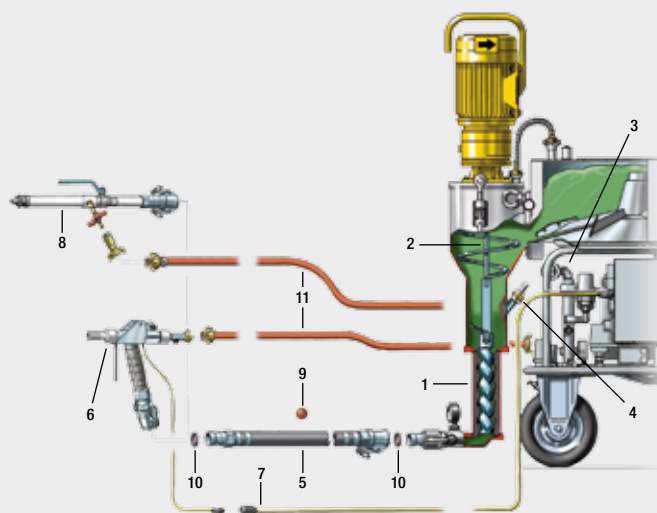


Accessories for processing cementitious adhesive, reinforcement mortar, structural plaster (low performance 12 or 6 l/min)



Complete set, part no. 533 073
≈ 20 m long, consisting of:

Part	Part no.	Fig.
1× Pump parts - Screw conveyor D4-½	214 402.009	1
- Screw conveyor barrel D4-½	214 403.008	1
1× Cementitious adhesive mixer shaft	214 571.008	2
1× Flow meter with range of 40-400 l/min	208 025.007	3
1× Insertion nozzle, diameter of 4.5 × 55 mm	400 728	4
2× Mortar hose ID 25-40, 10 m	207 804.009	5
1× Large fine plaster spraying machine with PM coupling and Geka air connection	529 733	8
1× Air hose, ½", 20 m	001 665.004	11
5× Sponge ball Ø 30 mm	000 239.004	9
5× Seal ID 25	207 764.000	10
3× Hose holder, leather	000 206.008	



Part	Part no.	Fig.
1× Adhesive gun ID 17 / M 25-40 with shut-off valve and electrical connector for remote control	408 422	6
1× Extension cable 20 m	211 506.005	7

* Depending on the material to be conveyed.



P 12

Mixing, pumping and spraying

Plaster/Fine plaster

- Cementitious adhesive and reinforcement mortar
- Spray plaster
- Textured plaster
- Fine plaster
- Levelling compound



Special applications

- Fire protection mortar
- Wet mortar
- ETICS
- High mixing quality for joint and frame mortar
- For injecting and anchoring with or without pressure



Equipment standard / option:

P 12

Cable remote control 20 m	■
Cleaning tool	■
Instruction manual and spare parts list	■
Seal ring for mortar coupling	■
Standard colour paintwork	■
Standard tool	■
Water connection Geka V25-40	■
Auxiliary compressor	□
Pneumatic remote control	□

– Not available □ Option ■ Standard

Large hopper

- Mixing, pumping and spraying from a single material hopper
- Good accessibility and therefore easy to clean and maintain



User-friendly design

- Lightweight, compact and therefore easy to transport
- Central control cabinet for entire electrical system is easy to access at all times
- Discharge connection with pressure gauge for connecting mortar hoses



Convenient operation

- Two engine speed settings
- „Mix“ or „Pump“ function selected using the rotary switch
- Cable remote control for switching pump On/Off supplied as standard



Practical accessories for a range of applications

- Optional alternative rotors and stators for adapting to the required pressure, grain size, pumping distance and rate
- Frame filling hose or device for sealing and filling openings and voids



Technical data	P 12
Part no.	111 469.060
Mixing vessel	50 l
Delivery rate (theor.)*	6-12 l/min
Delivery pressure	25 bar
Delivery range**	30 m horizontal, 15 m vertical
Pump	Worm pump D5 short
Engine	1.4 kW at 94 rpm / 1.8 kW at 188 rpm
Power supply (CE connector)	400 V / 50 Hz + 60 Hz, 16 A, 5p, 6h
Weight	125 kg
Length × width × height	714 × 696 × 1,437 mm
Filling height	939 mm
Pressure connection	M 35
Maximum particle size	4 mm

* The delivery rate depends on the pump model, and can vary in accordance with the pump used.

** The data is based on experience and depends on the materials used.

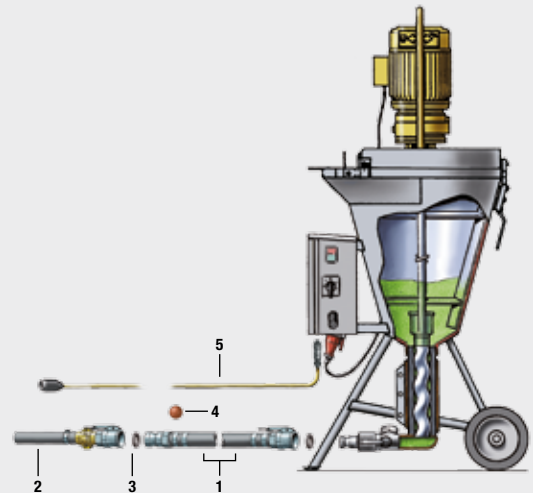
Accessories P 12

Accessories for filling frame connectors with fire-retardant plaster and a filling hose



Complete set, part no. 533 080
 ≈ 20 m long, consisting of:

Part	Part no.	Fig.
2× Mortar hose ID 25, 10 m	207 804.009	1
1× Frame connector filling hose, 30 cm, M25-40	408 373	2
3× Seal ID 25	207 764.000	3
3× Sponge ball Ø 30 mm	000 239.004	4
1× Electric remote control with On/Off switch 20 m	269 446.007	5
3× Hose holder, leather	000 206.008	
Optional accessories		
1× PM grout, 18 l storage tank, 25 pcs	266 743.004	

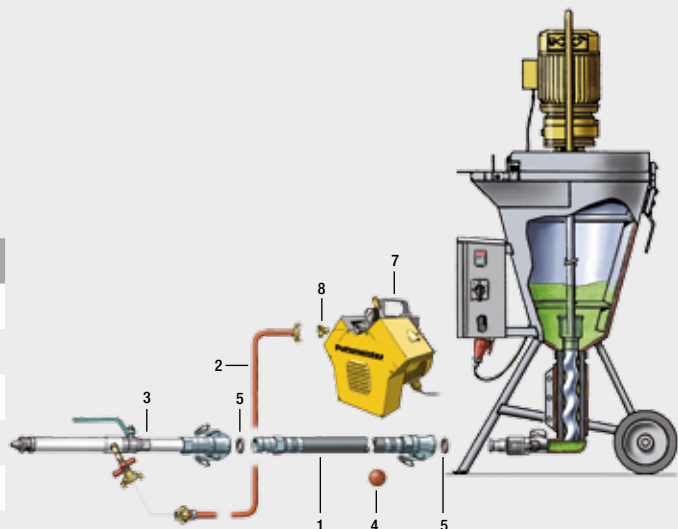


Accessories for processing finishing coats



Complete set, part no. 533 083
 ≈ 20 m long, consisting of:

Part	Part no.	Fig.
2× Mortar hose ID 25, 10 m	207 804.009	1
1× Air hose, 1/2", 20 m	001 665.004	2
1× Fine plaster spray gun, large	529 733	3
3× Sponge ball Ø 30 mm	000 239.004	4
3× Seal ID 25	207 764.000	5
1× V-Meko compressor with fuse	400 168	7
1× Geka coupling, 1/4"	207 969.009	8
3× Hose holder, leather	000 206.008	
Optional accessories		
1× PM grout, 18 l storage tank, 25 pcs	266 743.004	

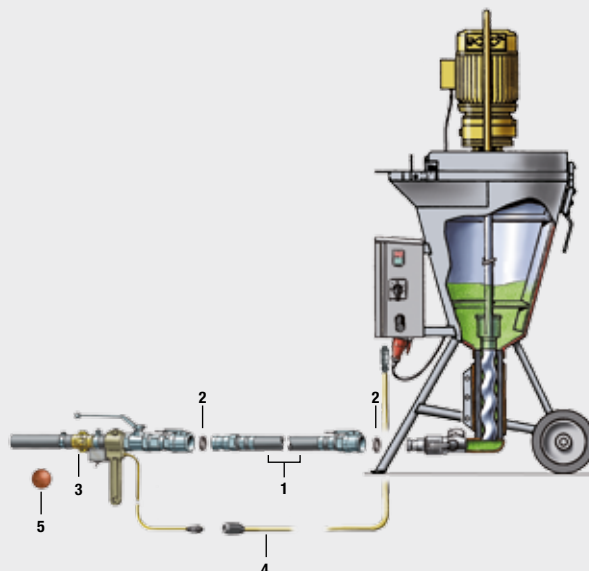


Accessories for filling frame connectors with fire-retardant plaster and a frame filling device



Complete set, part no. 533 081
≈ 20 m long, consisting of:

Part	Part no.	Fig.
2× Mortar hose ID 25, 10 m	207 804.009	1
3× Seal ID 25	207 764.000	2
1× Frame connector filling device with remote control	214 236.000	3
1× Remote control extension cable, 20 m	211 506.005	4
3× Sponge ball Ø 30 mm	000 239.004	5
3× Hose holder, leather	000 206.008	
Optional accessories		
1× PM grout, 18 l storage tank, 25 pcs	266 743.004	

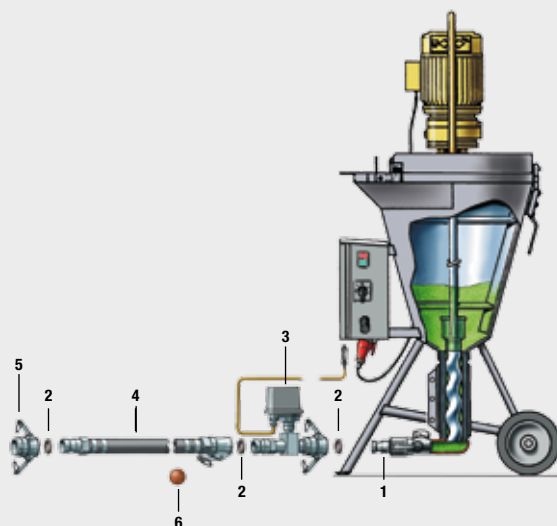


Accessories for filling anchor elements



Complete set, part no. 533 085
≈ 20 m long, consisting of:

Part	Part no.	Fig.
1× Adapter, V 35/V 25-40	207 795.008	1
3× Seal ID 25	207 764.000	2
1× Pressure monitor, 2-32 bar	523 102	3
2× Mortar hose, ID 25-40, 10 m	207 804.009	4
1× PM coupling, M25-40/RI 1'	211 597.001	5
1× Pressure test gauge, ID 25-40	208 745.002	
3× Sponge ball Ø 30 mm	000 239.004	6
3× Hose holder, leather	000 206.008	
Optional accessories		
1× PM grout, 18 l storage tank, 25 pcs	266 743.004	





CM 15 – Continuous mixer

Efficient mixing on virtually any construction site



- Cementitious adhesive and reinforcement mortar
- Coloured and base plaster
- Maximum material grain size of 4 mm

Plaster/Fine plaster



Ideal for conveying material
in combination with S 5 EV
worm pump

Special applications

- Masonry and wet mortar

Equipment standard / option:

Equipment standard / option:	CM 15
230-volt connection	■
Feed container that can be lowered	■
Instruction manual and spare parts list	■
Mixer shaft and conveyor screw	■
Rubber mixing hose with water connection and bearing unit	■
Water valve fitting	■

– Not available Option Standard

Designed for efficient working

- Rubber mixing pipe for rapid cleaning of the mixing zone
- Robust mixer shaft and conveyor screw



Simple handling and transportation

- Hopper that can be lowered
- Easy to dismantle into convenient components
- Quick and easy to transport



Reliable drive

- Practical 230 V connection
- Economical, low-noise electric motor



Technical data

CM 15

Part no.	111 627.000
Hopper volume	80 l
Mixer output*	15-20 l
Engine	Electric motor, 230 V / 50 Hz, 1.1 kW
Weight	76.5 kg
Water connection	Geka ½"
Water pressure	min. 2.5 bar
Fuse	16 A via residual current circuit breaker
Length × width × height	1,500 × 650 × 900 mm
Filling height	900 mm
Maximum particle size	4 mm

* The data is based on experience and depends on the materials used.



S 5 EV/EVTM

Universal worm pump for standard and special applications



- **Exterior plaster**
(lime, lime cement and insulating plaster)
- **Interior plaster**
(lime plaster)

Plaster/Fine plaster



- Fire protection mortar
- Self-levelling compound
- ETICS
- Masonry, adhesive and refurbishing mortar
- Sealing slurry
- Injection and filling mortar
- Glass-fibre-reinforced concrete
- Rough finish plaster and adhesive bridges
(by installing corresponding screw conveyor parts)

Special applications

Equipment standard / option:	S 5 EV	S 5 EVTM
Adapter V 50-M35	■	■
Cleaning tool	■	■
Grease cartridge	■	■
Instruction manual and spare parts list	■	■
Seal ring with mortar coupling	■	■
Standard colour paintwork	■	■
Standard tool	■	■
Cable remote control 20 m with emergency switch	<input type="checkbox"/>	<input type="checkbox"/>
Pneumatic remote control 20 m	<input type="checkbox"/>	<input type="checkbox"/>
Vibrating screen	<input type="checkbox"/>	–
Timing relay for mixer	–	<input type="checkbox"/>
Water metering	–	<input type="checkbox"/>

– Not available Option Standard

Worm pump with powerful 5.5 kW drive

- Depending on the material, different worm parts can be used for maximum versatility
- Slide on cardan shaft makes it easier to change the pump parts



Economical, robust and user-friendly

- Protective grill with integral safety switch folds open to provide full access for maintenance and cleaning
- Intelligent positioning of mixing blade guarantees a high mixing quality
- Large robust material hopper (100 l) and perfectly adapted mixer (80 l) for rapid material processing



Made for working

- Flexible use in a host of applications
- Pan mixer is easy to retrofit for maximum material quality (S 5 EVTm)
- Infinite adjustment of delivery rate using a simple rotary wheel



Flexible configuration for a wide range of applications

- Central control cabinet is also a power distributor for attached devices such as the pan mixer or compressors
- Varied accessories program covers a large number of applications



Technical data	S 5 EV	S 5 EVTm
Part no.	111 635.010	111 635.030
Pan mixer	–	80 l
Hopper volume	100 l	100 l
Pump	Worm pump 2L6	Worm pump 2L6
Delivery rate (theor.)*	7-40 l/min	7-40 l/min
Delivery pressure	25 bar	25 bar
Delivery range**	60 m horizontal, 40 m vertical	60 m horizontal, 40 m vertical
Engine	5.5 kW, 400 V / 50 Hz	5.5 kW, 400 V / 50 Hz
Mixer drive	–	2.2 kW
Weight	190 kg	400 kg
Length × width × height	2,290 × 680 × 650 mm	2,505 × 680 × 1,150 mm
Filling height	650 mm	1,150 mm
Maximum particle size	6 mm	6 mm
Pressure connection	M 50	M 50
Special feature	Basic version	with pan mixer

* The delivery rate depends on the pump model, and can vary in accordance with the pump used.

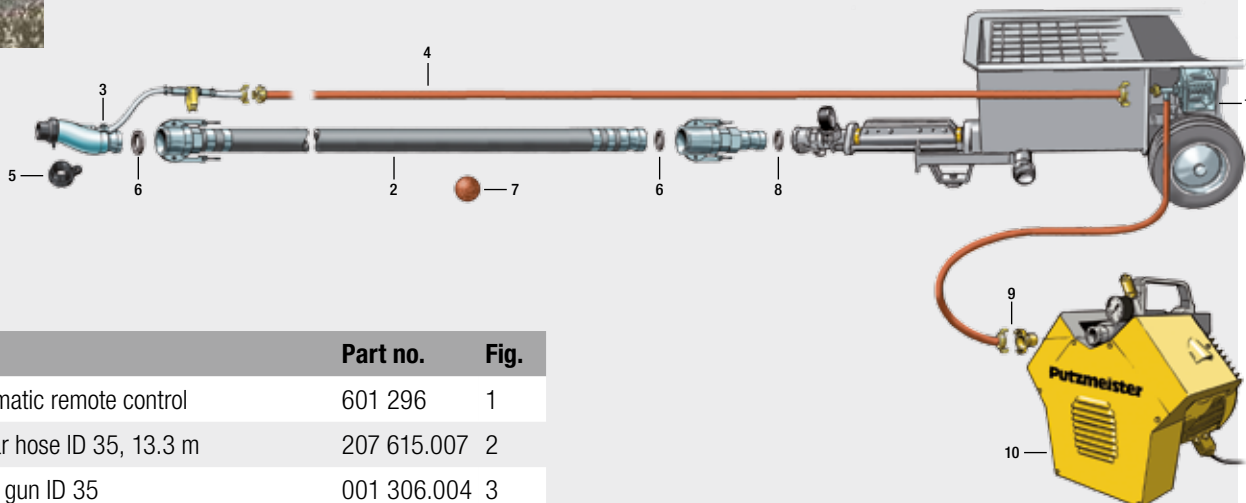
** The data is based on experience and depends on the materials used.

Accessories S 5 EV / EVTM

Accessories for processing site-made mixes



Complete set, part no.628 607
 ≈ 40 m long, consisting of:

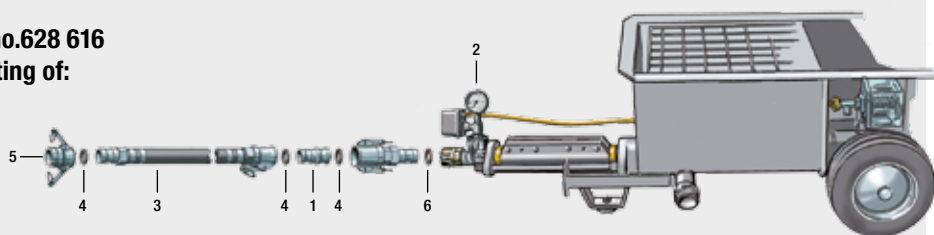


Part	Part no.	Fig.
1× Pneumatic remote control	601 296	1
3× Mortar hose ID 35, 13.3 m	207 615.007	2
1× Spray gun ID 35	001 306.004	3
2× Air hose, ½", 20 m	001 665.004	4
1× Nozzle dia. 16 mm	521 643	5
10× Seal ID 35	213 725.004	6
10× Sponge ball Ø 45 mm	065 044.001	7
10× Seal ID 50	213 266.000	8
1× Geka coupling, ¼"	207 969.009	9
1× V-Meko compressor with fuse	400 168	10
3× Hose holder, leather	000 206.008	

Accessories for filling anchors



Complete set, part no.628 616
 ≈ 20 m long, consisting of:

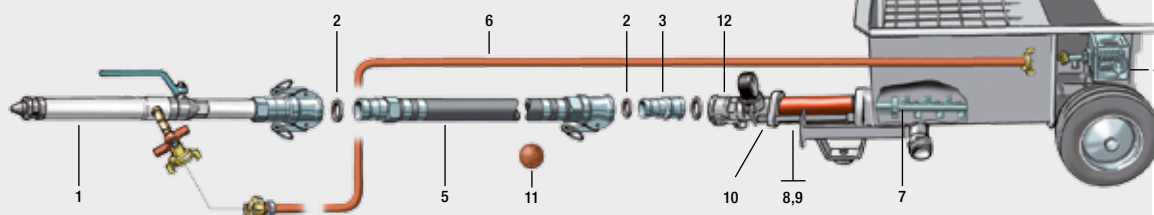


Part	Part no.	Fig.
1× Adapter, V 35/V 25-40	207 795.008	1
1× Pressure monitor, 2-32 bar	628 593	2
2× Mortar hose, ID 25, V 25 / M 25, 10 m long	207 804.009	3
5× Seal ID 25	207 764.000	4
1× PM coupling, M 25-40/RI 1	211 597.001	5
1× Pressure test gauge, ID 25-40	208 745.002	
10× Seal ID 50	213 266.000	6

Accessories for processing fine plaster (grain size of < 4 mm)



Complete set, part no.628 613
 ≈ 20 m long, consisting of:



In addition, a compressor with an air volume of 400 –500 l/min is required.

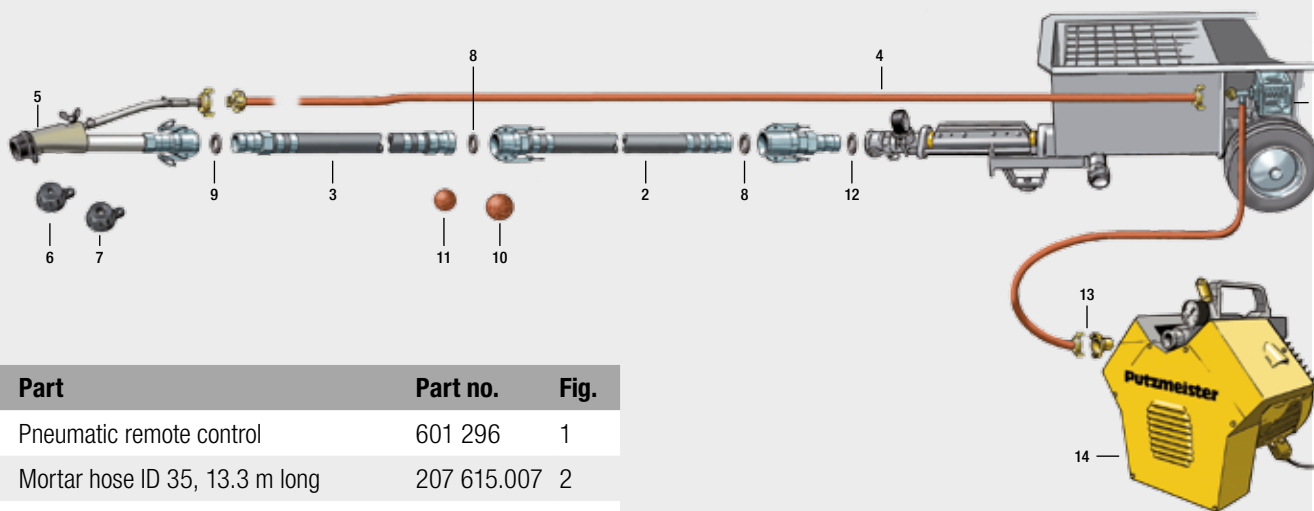
Part	Part no.	Fig.
1× Fine plaster spray gun ID 25	529 733	1
5× Seal ID 25	207 764.000	2
1× Adapter, V 35/V 25-40	207 795.008	3
1× Pneumatic remote control	601 296	4
2× Mortar hose ID 25, 10 m	207 804.009	5
1× Air hose, ½", 20 m long	001 665.004	6
1× Cardan shaft D4	525 378	7

Part	Part no.	Fig.
1× D6 Power rotor	443 740	8
1× D6 Power stator	206 345.006	9
2× Tie bolt	011 145.006	10
3× Sponge ball Ø 30 mm	000 239.004	11
3× Hose holder, leather	000 206.008	
1× Pressure connection	202 189.004	12

Accessories for processing premixed dry mortar (cement plaster, fire-retardant plaster, reinforcement plaster)



Complete set, part no.628 617
 ≈ 30 m long, consisting of:



Part	Part no.	Fig.
1× Pneumatic remote control	601 296	1
2× Mortar hose ID 35, 13.3 m long	207 615.007	2
1× Mortar hose, ID 35, V 35 / V 25-40, 5 m	207 808.005	3
2× Air hose ½", 15 m	212 333.002	4
1× Fine plaster spray gun ID 25	408 237	5
1× Nozzle dia. 12 mm	521 641	6
1× Nozzle dia. 14 mm	521 642	7
5× Seal ID 35	213 725.004	8
3× Seal ID 25	207 764.000	9

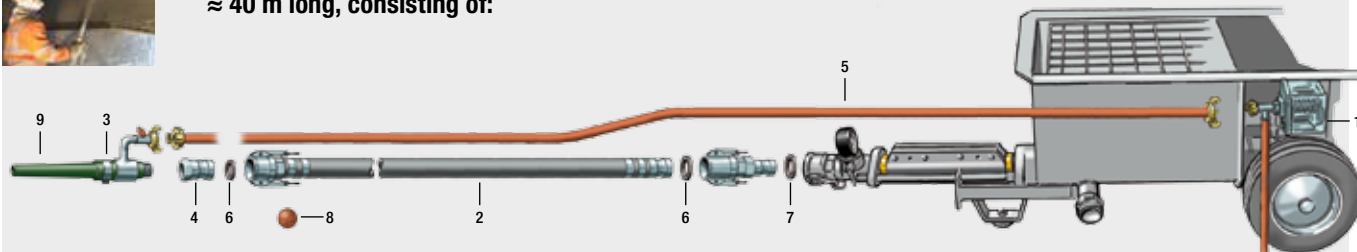
Part	Part no.	Fig.
5× Sponge ball Ø 45 mm	065 044.001	10
3× Sponge ball Ø 30 mm	000 239.004	11
10× Seal ID 50	213 266.000	12
1× Geka coupling ¼"	207 969.009	13
1× V-Meko compressor with fuse	400 168	14
3× Hose holder, leather	000 206.008	

Accessories S 5 EV / EVTM

Accessories for concrete restoration



Complete set, part no.628 619
 ≈ 40 m long, consisting of:



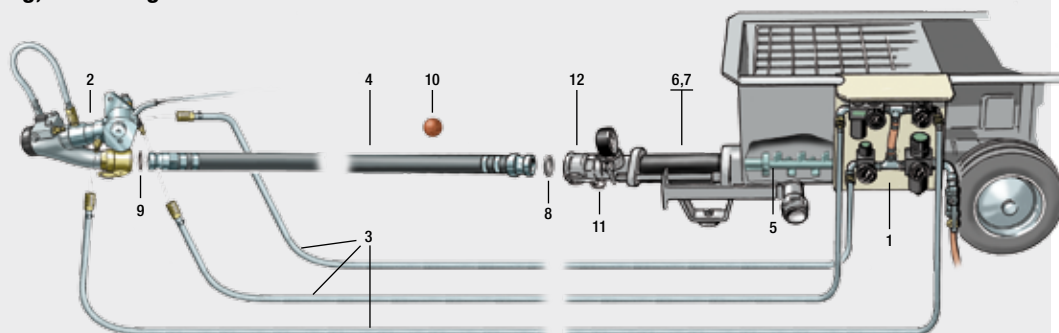
In addition, a compressor with an air volume of 1500 l/min is required.

Part	Part no.	Fig.	Part	Part no.	Fig.
1× Pneumatic remote control	601 296	1	10× Seal ID 50	213 266.000	7
3× Mortar hose ID 35, 13.3 m	207 615.007	2	1× Adapter V 50 / M 35	213 217.004	
1× Refurbishing spray gun	207 283.002	3	5× Sponge ball Ø 45 mm	065 044.001	8
1× Coupling V 35	203 135.002	4	1× Nozzle, dia. 15 mm	207 286.009	9
2× Air hose, 20 m	001 665.004	5	3× Hose holder, leather	000 206.008	
5× Seal ID 35	213 725.004	6			

Accessories for spraying glass-fibre reinforced concrete



Complete set, part no. 542 935
 ≈ 10 m long, consisting of:



Part	Part no.	Fig.	Part	Part no.	Fig.
1× Control panel	207 223.004	1	1× Screw conveyor barrel D 8-2	436 746	7
1× GFB spray gun	070 436.002	2	3× Seal ID 35	213 725.004	8
1× Hose connection cpl.	209 347.001	3	3× Seal ID 25	207 764.000	9
1× Mortar hose ID 25, V 35 / V 25-40, 10 m	207 809.004	4	3× Sponge ball Ø 30 mm	000 239.004	10
1× Cardan shaft (spiral)	525 378	5	2× Tie bolt	011 145.006	11
1× Screw conveyor D 8-2	436 743	6	1× Pressure connection	202 189.004	12

Modification of pump type 2L6 in line with other pump types:

**Conversion of S 5 EV with slide-on Cardan shaft
(version from part no. 111 452.310, 111 452.330)
to D4, D4½, D4¼, D5 short, D6, D8-2+ with the
following parts:**

Part	Part no.
1× Cardan shaft (spiral)	525 378
2× Tie rod (l=300 mm, M 20)	011 145.006
1× Pressure connection	202 189.004

**Conversion of S 5 EV 2L6 to D5 with the
following parts:**

Part	Part no.
1× Cardan shaft (spiral)	525 378
1× D5 rotor	070 351.006
1× D5 stator	070 352.005
1× Clamp, cpl.	206 848.008
2× Tie rod (l=410 mm, M 20)	467 156
1× Pressure connection	202 189.004

**Conversion of S 5 EV 2L6 to 1L6 with the
following parts:**

Part	Part no.
1× 1L6 rotor	207 136.007
1× 1L6 stator	214 536.001
1× Clamp, cpl.	422 747
2× Tie rod (l=300 mm, M 20)	011 145.006

**Conversion of S 5 EV 2L6 to 2L54 with the
following parts:**

Part	Part no.
1× Cardan shaft (spiral)	455 703
1× Rotor 2L54	211 739.005
1× Stator 2L54	523 235

You can find information on our range of rotors and stators in the accessories catalogue – you can also contact customer service.



SP 11 LMR

Plastering made easy

Large hopper 180 l

ideal for efficient, continuous output of premixed dry mortar and site mixes

Userfriendly

adjustable delivery rate and water dosing



Worm parts can be changed

quickly according to each application

Very comfortable due to lifting mixer with low filling height

- **Exterior plaster**
(lime, lime cement and insulating plaster)
- **Interior plaster**
(lime plaster)



Plaster/Fine plaster

- Light masonry or fire protection mortar
- Filling and grouting work
- Concrete renovation

Special applications

Equipment standard / option:

SP 11 LMR

Car cable adapter	■
Car coupling	■
Cleaning tool	■
Grease cartidge	■
High-pressure cleaner	■
Instruction manual and spare parts list	■
Lever press with hose	■
Mechanical water metering	■
Seal ring for mortar coupling	■
Standard colour paintwork	■
Standard tool	■
Cable remote control 20 m	□
Dust extraction	□
Radio remote control 20 m	□
Special canopy paint in RAL colours	□
Support wheel	□
Truck coupling	□
Vibrating screen	□
Working lights	□

– Not available □ Option ■ Standard

The benchmark in user-friendly plastering

- Water dosing pipe and dust extraction system (dust is extracted and discharged via the exhaust system) in the mixer cover ensure an efficient and convenient working process
- Unique storage capacity for generous reserves when working on more ambitious projects
- Extremely effective mixing apparatus
- Lifting mixer with low filling height that mixes material continuously



Powerful and convenient

- Low-noise, low-speed economical 3-cylinder Kubota diesel engine
- Powerful worm pump 2L6 with a hose discharge connection
- Fully hydraulic pump and mixer drive with infinitely adjustable pumping rate



Highest quality and safety standards

- Double-walled canopy provides effective sound insulation
- Weighs less than 750 kg on an unbraked chassis for simple transportation
- Machine operation conforms with CE standards to protect the operator



Genuine added value – Made for working!

- No external power supply required, ensuring flexible operation on any construction site
- Lightweight, hard-wearing plastic canopy that is easy to clean and can withstand the toughest site conditions



Technical data	SP 11 LMR
Part no.	111 626.400
Hopper volume	180 l
Lifting mixer	220 l
Delivery rate (theor.)*	5–60 l/min
Delivery pressure	25 bar
Delivery range**	60 m horizontal and 40 m vertical for exterior/interior plaster
Compressor	2-cylinder, 400 l/min, 3.7 bar
Pump	Worm pump 2L6
Engine	3-cylinder Kubota diesel, 16.3 kW at 2,600 rpm
Weight (fully fuelled)	750 kg
Length × width × height	3,260 × 1,420 × 1,160 mm
Filling height	800 mm
Maximum particle size	6 mm
Chassis	unbraked, suitable for road use

* The delivery rate depends on the pump model, and can vary in accordance with the pump used.

** The data is based on experience and depends on the materials used.



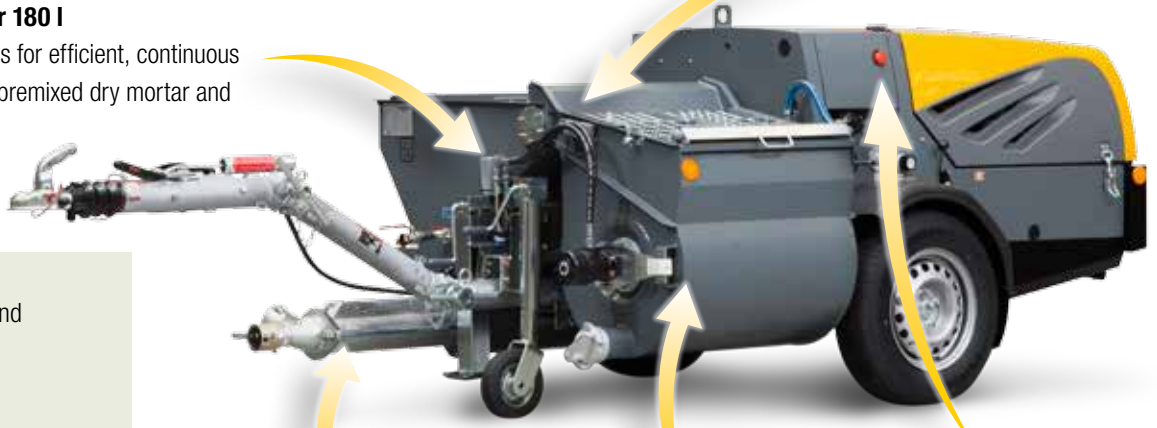
SP 11 TMR

Outstanding performance for a wide variety of possible applications even self-levelling screed

Large hopper 180 l

ideal conditions for efficient, continuous processing of premixed dry mortar and site mixes

Easy to clean with high pressure cleaner integrated



Quick change of worm parts

Very comfortable due to Lifting mixer with low filling height

User-friendly adjustable delivery rate and water dosing (for a constant material quality)

- **Exterior plaster**
(lime, lime cement and insulating plaster)
- **Interior plaster**
(lime plaster)

Plaster/Fine plaster



- Light masonry or fire protection mortar
- Filling and grouting work
- Concrete renovation

Special applications

Equipment standard / option:	SP 11 TMR
Car cable adapter	■
Car coupling	■
Cleaning tool	■
Grease cartridge	■
High-pressure cleaner	■
Instruction manual and spare parts list	■
Lever press with hose	■
Mechanical water metering	■
Seal ring for mortar coupling	■
Standard colour paintwork	■
Standard tool	■
Support wheel	■
Cable remote control 20 m	□
Dust extraction	□
Radio remote control 20 m	□
Special canopy paint in RAL colours	□
Truck coupling	□
Vibrating screen	□
Working lights	□

– Not available □ Option ■ Standard

Powerful diesel engine for extra performance

- Low-noise, economical 4-cylinder Kubota diesel engine with low speed of 2,600 rpm
- Large 26-litre tank
- Excellent soundproofing due to sealed engine compartment
- No external power supply required, ensuring flexible operation on any construction site



Large, user-optimised hopper/mixer

- Largest available mixer/hopper with extremely effective mixing apparatus
- Water dosing pipe and patented dust extraction system (optional) in the mixer cover sets new standards in terms of operating comfort
- Lifting mixer with convenient low filling height mixes material continuously



User-friendly design

- Modern, timeless design and good accessibility
- Support wheel for excellent manoeuvrability with low drawbar load
- Machine operation conforms with CE standards to protect the operator



Virtually limitless versatility

- Fully hydraulic pump and mixer drive with infinitely adjustable pumping rate
- Simple installation of powerful worm components (2L75) e.g. for pumping self levelling floor screed (up to 15 m³/h)
- High engine power and attachment of accessory parts combine to expand the range of applications



Technical data

SP 11 TMR

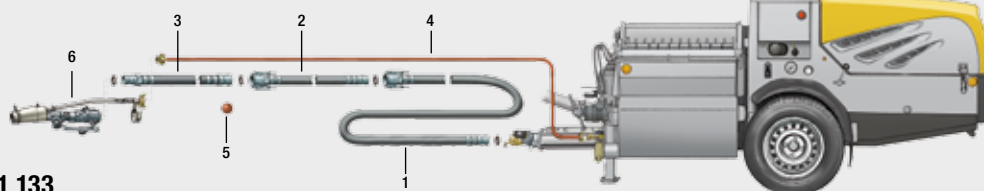
Part no.	111 626.500
Hopper volume	180 l
Lifting mixer	220 l
Delivery rate (theor.)*	5-75 l/min, optional: up to 15 m ³ /h
Delivery pressure	35 bar, optional: 20 bar
Delivery range**	70 m horizontal and 50 m vertical for exterior/interior plaster
Compressor	2-cylinder, 400 l/min, 3.7 bar
Pump	Worm pump 2L6, optional: 2L75
Engine	4-cylinder Kubota diesel, 22.7 kW at 2,600 rpm
Weight (fully fuelled)	900 kg
Length × width × height	3,820 × 1,420 × 1,160 mm
Filling height	880 mm
Maximum particle size	6 mm (2L6), 8 mm (2 L75)
Chassis	braked, approved for road use

* The delivery rate depends on the pump model, and can vary in accordance with the pump used.

** The data is based on experience and depends on the materials used.

Accessories SP 11

Accessories for processing monocouche renders

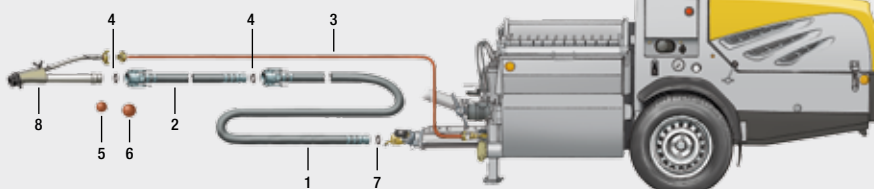


Complete set, part no. 401 133
≈ 30 m long, consisting of:

Part	Part no.	Fig.
1× Mortar hose ID 35, V 50, M 35, 13.3 m	207 616.006	1
1× Mortar hose ID 35, V 35, M 35, 13.3 m	207 615.007	2
1× Mortar hose, ID 25, V 25, M 25, 5 m	207 808.005	3
1× Air hose Geka ½"; 40 m	214 734.007	4
2× Sponge ball Ø 45 mm	065 044.001	5
1× Spray gun, ID 25-40 short	408 237	6

Part	Part no.	Fig.
1× Rubber fine plaster nozzle 8 mm	214 751.006	
1× Rubber fine plaster nozzle 10 mm	214 752.005	
1× Rubber fine plaster nozzle 12 mm	214 753.004	
1× Rubber fine plaster nozzle 14 mm	214 754.003	
1× Rubber fine plaster nozzle 16 mm	214 755.002	
1× Flexible mortar nozzle, D 18	001 329.007	
1× Hose holder, leather	000 206.008	

Accessories for processing premixed dry mortar

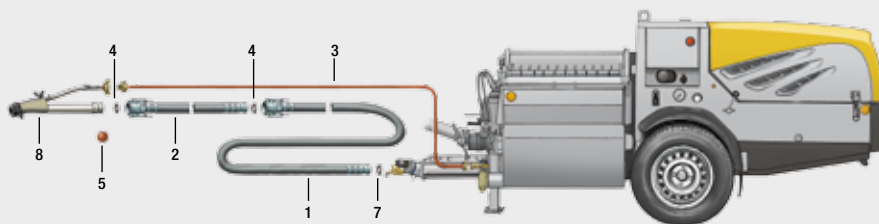


Complete set, part no. 532 995
≈ 40 m long, consisting of:

Part	Part no.	Fig.
2× Mortar hose, ID 50, V 50, M 50, 13.3 m	501 914	1
1× Mortar hose ID 35, V 50, M 35, 13.3 m	207 616.006	2
1× Air hose Geka ½"; 40 m	214 734.007	3
5× Seal ID 35	213 725.004	4

Part	Part no.	Fig.
5× Sponge ball Ø 60 mm	000 212.005	6
5× Sponge ball Ø 45 mm	065 044.001	5
5× Seal ID 50	213 266.000	7
1× Spray gun V 35	203 054.002	8
3× Hose holder, leather	000 206.008	

Accessories for processing fire-retardant mortar

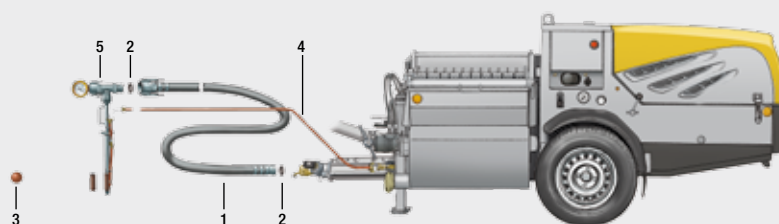


Complete set, part no. 533 638
≈ 40 m long, consisting of:

Part	Part no.	Fig.
1× Mortar hose, ID 35, V 50, M 35, 13.3 m	207 616.006	1
2× Mortar hose, ID 35, V 35, M 35, 13,3 m	207 615.007	2
1× Air hose Geka ½"; 40 m	214 734.007	3
5× Seal ID 35	213 725.004	4

Part	Part no.	Fig.
5× Seal ID 50	213 266.000	7
5× Sponge ball Ø 45 mm	065 044.001	5
1× Spray gun V 35	203 054.002	8
3× Hose holder, leather	000 206.008	

Accessories for injection



Complete set, part no. 532 998
≈ 40 m long, consisting of:

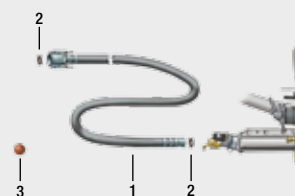
Part	Part no.	Fig.
3× Mortar hose, ID 50, V 50, M 50, 13.3 m	501 914	1
5× Seal ID 50	213 266.000	2
5× Sponge ball Ø 60 mm	000 212.005	3
1× Air hose Geka ½"; 40 m	214 734.007	4

Part	Part no.	Fig.
3× Hose holder, leather	000 206.008	
1× Injection nozzle with T-piece, pressure gauge, remote control air cock, coupling with spout ID 50, expanding collar D 45, and collar D 38	001 128.004	5

Accessories for processing self levelling floor screed with SP 11 THF



For a delivery range of 40 m,
you will require:



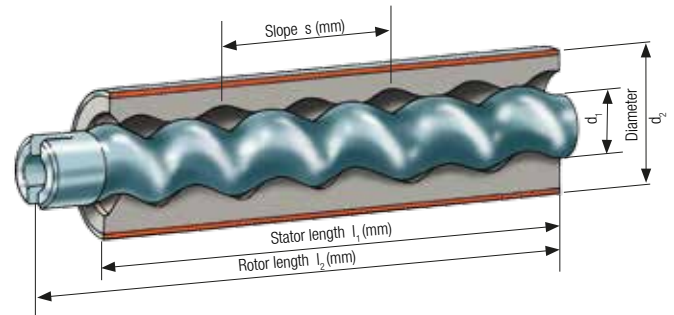
Part	Part no.	Fig.
3× Mortar hose, ID 50, V 50, M 50, 13.3 m	501 914	1

Part	Part no.	Fig.
5× Seal ID 50	213 266.000	2
5× Sponge ball Ø 60 mm	000 212.005	3
3× Hose holder, leather	000 206.008	

Stators and Rotors

Rule of thumb:

- The finer the grain and the softer the material to be pumped, the harder the required rubber quality of the stator must be.
- The grainier the material and the harder the aggregate, the softer the required rubber quality.



Mixer pump MP 25 Mixit

Type	Delivery quantity (l/min)	l/min at 100 UpM** (75% efficiency)	Colour	Hardness (°Shore)	max. Grain (mm)	Pump pressure (bar)	Length/ Ø Stator (mm)	Length Rotor without pin (mm)	Design Rotor head
D4 1/4	6	2.5	white	70	3	40	270 / 90	320	Slot
D4 1/4	6	2.5	grey	65	3	30	270 / 90	320	Slot
D4 1/2	12	4.5	green	70	3	40	270 / 90	320	Slot
D4 1/2	12	4.5	black	65	3	30	270 / 90	320	Slot
D4	20	5.5	red	72	4	20	270 / 90	320	Slot
D4	20	5.5	yellow	50	4	20	270 / 90	320	Slot
D5 short	40	7.8	brown	72	4	20	270 / 90	320	Slot
D5 short SL	40	7.8	brown	63	4	20	270 / 90	320	Slot
D6 Twin	25	6.5	white	73	4	40	270 / 90	320	Slot
D6 Power	25	6.5	red	73	4	40	270 / 90	320	Slot
D6-3	25	6.5	orange	73	4	40	270 / 90	320	Slot
D6-3 Action	25	6.5	orange	73	4	40	270 / 90	320	Slot
D7-2	35	9	red	73	4	40	270 / 90	320	Slot
D8-2	40	8.8	black	65	4	30	270 / 90	320	Slot

Worm pump P 12

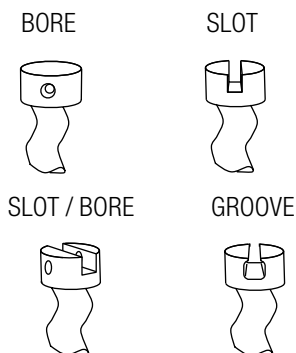
Type	Delivery quantity (l/min)	l/min at 100 UpM** (75% efficiency)	Colour	Hardness (°Shore)	max. Grain (mm)	Pump pressure (bar)	Length/ Ø Stator (mm)	Length Rotor without pin (mm)	Design Rotor head
D4 1/4	1,5 + 3	2.5	white	70	3	40	270 / 90	320	Slot
D4 1/4	1,5 + 3	2.5	grey	65	3	30	270 / 90	320	Slot
D4 1/2	2,5 + 5	4.5	green	70	3	40	270 / 90	320	Slot
D4 1/2	2,5 + 5	4.5	black	65	3	30	270 / 90	320	Slot
D4	3,5 + 7,5	5.5	red	72	4	20	270 / 90	320	Slot
D4	3,5 + 7,5	5.5	yellow	50	4	20	270 / 90	320	Slot
D5 short	6 + 12	7.8	brown	72	4	20	270 / 90	320	Slot

Mounting aid for rotor stator

Silicon spray, 400-ml aerosol

Art. No. 508 975





= Standard equipment

* Conversion necessary depending on material, consistency, pumping distance and pressure
 **

Stator Art. No.	Rotor Art. No.	Clamping jacket Art. No.	Rotor for Uni-mixer Art. No.
214 573.006	214 572.007	maintenance-free	400 912
620 489	214 572.007	integrated	400 912
214 403.008	214 402.009	maintenance-free	400 913
620 483	214 402.009	integrated	400 913
010 316.001	207 140.006	208 128.001	–
010 313.004	207 140.006	208 128.001	–
071 011.002	071 234.009	208 128.001	400 910
610 494	071 234.009	integrated	400 910
627 353	443 740	maintenance-free	400 911
206 345.006	443 740	maintenance-free	400 911
473 639	473 638	maintenance-free	487 115
482 672	473 638	maintenance-free	487 115
485 478	485 479	maintenance-free	–
436 746	436 743	maintenance-free	436 744

Stator Art. No.	Rotor Art. No.	Clamping jacket Art. No.
214 573.006	214 572.007	maintenance-free
620 489	214 572.007	integrated
214 403.008	214 402.009	maintenance-free
620 483	214 402.009	integrated
010 316.001	207 140.006	208 128.001
010 313.004	207 140.006	208 128.001
071 011.002	071 234 009	208 128.001

Stators and Rotors

Additional Worm Pumps

Type	Delivery quantity (l/min)	l/min at 100 UpM** (75% efficiency)	Colour	Hardness (°Shore)	max. Grain (mm)	Pump pressure (bar)	Length/ Ø Stator (mm)	Length Rotor without pin (mm)	Design Rotor head
2L6	7–40	17	yellow	73	6	40	540 / 100	620	Slot/bore
D6 Power*	3–18	6.5	red	73	4	40	270 / 90	320	Slot
D8-2*	4–23	8.8	black	65	4	30	270 / 90	320	Slot
2L6	7–40	17	yellow	73	6	25	540 / 100	620	Bore
2L6	7–40	17	yellow	63	6	25	540 / 100	620	Bore
2L74	150	63	blue	55	8	20	670 / 124	620	Bore
2L88	8–55	21	brown	72	6	25	540 / 100	620	Bore
2L88*	8–55	21	brown	72	6	25	540 / 100	620	Slot
2L88	8–55	21	brown	72	6	25	540 / 100	620	Bore
2L54*	8–55	24	grey	55	10	25	535 / 124	620	Slot

Worm pump S 5 (with inserted cardan shaft)

Type	Delivery quantity (l/min)	l/min at 100 UpM** (75% efficiency)	Colour	Hardness (°Shore)	max. Grain (mm)	Pump pressure (bar)	Length/ Ø Stator (mm)	Length Rotor without pin (mm)	Design Rotor head
D6 Power*	3–18	6.5	red	73	4	40	270 / 90	320	Slot
D8-2*	4–23	8.8	black	65	4	30	270 / 90	320	Slot
2L54	8–55	24	grey	55	10	25	535 / 124	620	Slot
2L6	4–40	17	yellow	50	6	25	540 / 100	620	Slot 16
2L6	4–40	17	yellow	50	6	25	540 / 100	620	Slot 16
2L6	4–40	17	yellow	63	6	25	540 / 100	620	Slot 16
2L88	6–55	21	brown	50	6	20	540 / 100	620	Slot 16
1,5L74	170	63	green	55	8	15	517 / 124	596	Slot 16
2L6	7–40	17	yellow	73	6	40	540 / 100	620	Slot/bore

Worm pump SP 11 LMR, BMB, BMT, BMR, BBR, BUR

Type	Delivery quantity (l/min)	l/min at 100 UpM** (75% efficiency)	Colour	Hardness (°Shore)	max. Grain (mm)	Pump pressure (bar)	Length/ Ø Stator (mm)	Length Rotor without pin (mm)	Design Rotor head
2L6	4–40	17	yellow	50	6	25	540 / 100	620	Slot 16
2L6	4–40	17	yellow	50	6	25	540 / 100	620	Slot 16
2L6	4–40	17	yellow	63	6	25-30	540 / 100	620	Slot 16
2L88	6–55	21	brown	50	6	20	540 / 100	620	Slot 16
1,5L74	170	63	green	55	8	15	517 / 124	596	Slot 16
2L6	7–40	17	yellow	50	6	25	540 / 100	620	Slot / bore

Stator Art. No.	Rotor Art. No.	Clamping jacket Art. No.
211 355.007	521 150	010 433.007
206 345.006	443 740	maintenance-free
436 746	436 743	maintenance-free
211 355.007	201 111.002	010 433.007
430 837	201 111.002	maintenance-free
213 018.009	206 395.001	integrated
203 509.007	422 650	010 433.007
203 509.007	211 815.000	010 433.007
203 509.007	203 511.008	010 433.007
523 235	211 739.005	integrated



D6 Power



D4 yellow



D4 red

Stator Art. No.	Rotor Art. No.	Clamping jacket Art. No.
206 345.006	443 740	maintenance-free
436 746	436 743	maintenance-free
523 235	211 739.005	integrated
211 355.007	211 814.001	010 433.007
213 390.002	211 814.001	integrated
430 837	211 814.001	maintenance-free
203 509.007	211 815.000	010 433.007
213 027.003	213 028.002	integrated
211 355.007	521 150	010 433.007



D8-2



2L88



2L6



Clamping jacket



2L6 maintenance-free

Stator Art. No.	Rotor Art. No.	Clamping jacket Art. No.
211 355.007	211 814.001	010 433.007
213 390.002	211 814.001	integrated
430 837	211 814.001	maintenance-free
203 509.007	211 815.000	010 433.007
213 027.003	213 028.002	integrated
211 355.007	521 150	010 433.007

 = Standard equipment

* Conversion necessary depending on material, consistency, pumping distance and pressure
 **

Stators and Rotors

Additional Worm Pumps

Type	Usage in machine	l/min at 100 UpM** (75% efficiency)	Colour	Hardness (°Shore)	max. Grain (mm)	Pump pressure (bar)	Length/ Ø Stator (mm)	Length Rotor without pin (mm)	Design Rotor head
1L6	SP 5	14.8	yellow	50	6	15	270 / 100	350	Slot S16
2L4	P4	5.3	yellow	50	4	20	360 / 75	407	Slot
2L4	P4	5.3	red	72	4	25	360 / 75	407	Slot
2L4	P4	5.3	green	72	4	25	360 / 75	407	Slot
D3	TS3	10	red	72	4	25	315 / 70	379	Slot
D3	TS3	10	green	72	4	25	315 / 70	379	Slot
D5*	MS-x, S 5	12	brown	65	4	20	350 / 90	400	Slot
3L7	SP 11 BUR	17	yellow	50	6	40	534 / 100	620	Slot 16
3L7	SP 11 BUR	17	yellow	75	6	40	534 / 100	620	Slot 16
3D7	UMP	17	red	71	6	40	534 / 100	620	Slot 16
2L6	FMP	17	yellow	50	6	25	540 / 100	620	Slot 12
2L88	FUMP 70	21	brown	50	6	25	540 / 100	620	Slot 14
2L88	UMP	21	brown	50	6	25	540 / 100	620	Bore
2L74	P11 SDVF	63	blue	55	8	25	670 / 124	620	Bore
2D8	FUMP, SP 11 E	45.9	red	72	4	25	600 / 145	570	Slot
1,5L8	S8	123	yellow	50	10	15	660 / 190	747	Bore
N13 S	MP 10 / 12 / 15	3.8	grey	73	4	30	160 / 60	206	Slot
N13 S ½	MP 15	1.9	yellow	73	3	30	160 / 60	206	Slot

Self levelling floor screed pump SP 11 THF

Type	Delivery quantity (l/min)	l/min at 100 UpM** (75% efficiency)	Colour	Hardness (°Shore)	max. Grain (mm)	Pump pressure (bar)	Length/ Ø Stator (mm)	Length Rotor without pin (mm)	Design Rotor head
2L54*	0–105	24	grey	55	10	25	535 / 124	620	Slot 16
2L54*	0–105	24	silver	72	8	25	535 / 124	620	Slot 16
2L74	0–200	45.8	blue	55	8	25	670 / 124	746	Bore
2L74*	0–200	45.8	blue	72	8	25	670 / 124	746	Slot 16
2L75	0–200	75	grey	55	8	20	670 / 124	746	Bore
2L75*	0–200	75	grey	55	8	20	670 / 124	746	Slot 16

Self levelling floor screed pumps SP 20 also for EstrichBoy FHS

Type	l/min at 100 UpM** (75% efficiency)	Colour	Hardness (°Shore)	max. Grain (mm)	Pump pressure (bar)	Length/ Ø Stator (mm)	Length Rotor without pin (mm)	Design Rotor head
7515	83	white	63	8	35	500 / 159	623	hexagonal
7515 SL	83	white	63	8	35	500 / 159	623	hexagonal
2L8	150	white	63	10	25	650 / 194	740	hexagonal
2L8 SL	150	white	63	10	25	650 / 194	740	hexagonal

Stator Art. No.	Rotor Art. No.	Clamping jacket Art. No.
214 536.001	214 537.000	422 747
010 325.005	010 321.009	010 329.001
010 326.004	010 321.009	010 329.001
010 677.009	010 321.009	010 329.001
072 996.003	072 997.002	073 487.003
201 175.006	072 997.002	073 487.003
070 352.005	070 351.006	206 848.008
213 638.007	211 278.003	maintenance-free
211 503.008	211 278.003	maintenance-free
208 276.005	208 263.005	maintenance-free
211 355.007	010 628.003	010 433.007
203 509.007	208 316.004	010 433.007
203 509.007	422 650	010 433.007
206 396.000	206 395.001	maintenance-free
208 537.003	208 467.005	maintenance-free
070 162.004	200 770.004	073 827.003
506 905	506 867	–
602 970	602 971	–



2L75 grey

2L74 blue

2L54 silver



2L88

2L6

2L6 maintenance-free

Stator Art. No.	Rotor Art. No.	Clamping jacket Art. No.
523 235	211 739.005	integrated
211 738.006	211 739.005	integrated
206 396.000	206 395.001	maintenance-free
213 018.009	212 506.004	integrated
487 262	487 261	integrated
502 911	500 516	maintenance-free



Clamping jacket

3L7

2L8

Stator Art. No.	Rotor Art. No.	Clamping jacket Art. No.
525 052	433 023	maintenance-free
H70 0075 1403	433 023	integrated
H70 0050 8312	H70 0050 8021	maintenance-free
H70 0050 8311	H70 0050 8021	integrated



N13 S

= Standard equipment

* Conversion necessary depending on material, consistency, pumping distance and pressure
 **



P 13 mixing - pumping - spraying

Robust and service-friendly for the most challenging site mixes in the world

Large mixer 170 l
for excellent mixing quality

Engine, compressor and gearbox
are very good protected



Robust, powerful piston pump (KA 230)
for even pumpable sand

Delivery performance
regulated mechanically
over 3 settings

Plaster/Fine plaster

- **Site mixes**
(lime-gypsum, lime cement plaster)
- **Interior and exterior plaster**
(coloured, cement and lime cement plaster, scratch plasters)



Shotcrete

- **Shotcreting,**
max. grain size 8 mm



Fine grained concrete

- **Fine grained concrete,**
max. grain size 8 mm



Special applications

- Grouting, filling, masonry and cement mortar
- Bentonite slurry
- Pumpable sand (e.g. crushed sand, dune sand, washed river or lake sand, desert sand, etc.) with max. grain size of 8 mm
- Self levelling floor screed

Equipment standard / option:	P 13 DMR
Cleaning tool	■
Grease cartridge	■
Instruction manual and spare parts list	■
Lever press with hose	■
Manometer with t-connection	■
Pneumatic remote control	■
Spray gun V 35, short	■
Standard colour paintwork	■
Standard tool	■
Vibrating screen	■
Chassis with brakes	<input type="checkbox"/>
Water metering	<input type="checkbox"/>

– Not available Option Standard

* The delivery rate depends on the pump model, and can vary in accordance with the pump used.

** The data is based on experience and depends on the materials used.

Powerful piston pump that can convey the most challenging materials

- Extremely hard-wearing single piston pump KA 230 can even process sand with a grain size of 10 mm
- KA 139 and KA 230 can be fitted with pump heads of different sizes, depending on the material quality
- Robust plate canopy protects the engine, compressor and gearbox



Two powerful mechanical drive variants – electric or diesel

- DMR version with air-cooled 2-cylinder diesel engine (12.5 kW) – reliable and robust, with road or site chassis
- EMR version with 400 V electric motor (7.5 kW) – particularly quiet, maintenance-free operation



Efficient mixer/hopper unit

- Large mixer with discharge flap achieves an excellent mixing quality
- Mechanically driven vibrating screen separates material with an excessive grain size and foreign objects
- Additional agitator in the mortar hopper prevents the material from settling
- Cleaning port inside the hopper for quick and easy cleaning



Extremely durable, practical design

- Built for the most challenging site mixes in the world
- Good accessibility – service and maintenance-friendly
- Output can be regulated mechanically (3 settings)
- Wear-resistant components such as hard chrome plated cylinders reduce operating costs



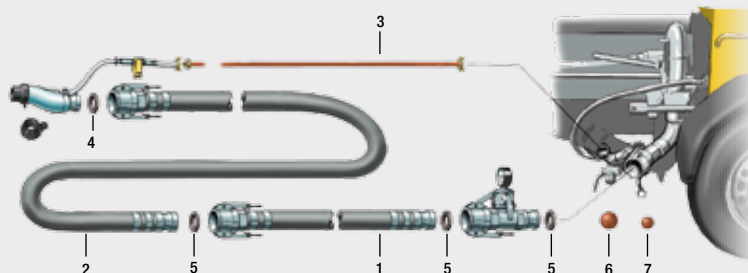
Technical data	P 13 DMR KA 139	P 13 DMR KA 230	P 13 EMR KA 139	P 13 EMR KA 230
Part no.	111 632.XXX depending on the configuration of the machine			
Mixer	170 l	170 l	170 l	170 l
Hopper volume	200 l	200 l	200 l	200 l
Delivery rate (theor.)*	20-80 l/min	30-90 l/min	20-80 l/min	30-90 l/min
Delivery pressure	40 bar	40 bar	40 bar	40 bar
Delivery range**	150 m horizontal, 80 m vertical – with plaster/fine plaster site mix 60 m horizontal and 40 m vertical			
Compressor	2-cylinder, 3.5 bar, 300 l/min			
Mechanical piston pump	KA 139	KA 230	KA 139	KA 230
Drive	2-cylinder diesel engine, 12.5 kW at 2,800 rpm		Electric motor 400 V 7.5 kW at 2900 rpm	
Piston stroke	130 mm	130 mm	130 mm	130 mm
Piston diameter	100 mm	100 mm	100 mm	100 mm
Weight	990 kg (without brake) - 1,040 kg (with brake)			
Length × width × height	3,000 × 1,640 × 1,450 mm (without brake) - 3,640 × 1,566 × 1,575 mm (with brake)			
Filling height	1,300 mm	1,300 mm	1,300 mm	1,300 mm
Maximum particle size	6 mm	8 mm	6 mm	8 mm
Chassis	unbraked or optional chassis with brake available			
Fuse	–	–	20 A	20 A
Pressure connection	M 50	M 50	M 50	M 50

Accessories P 13

Standard mortar line



Complete set, part no. 533 036
≈ 40 m long, consisting of:



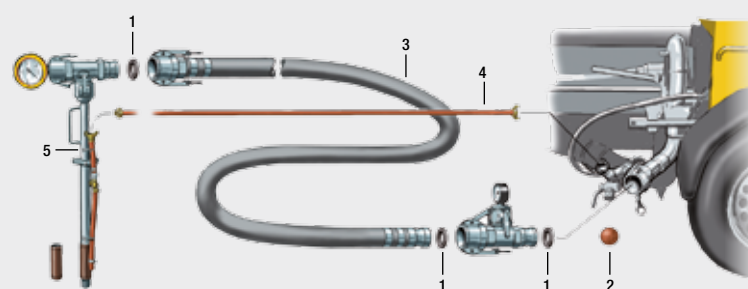
Part	Part no.	Fig.
2× Mortar hose, 13.3 m, ID 50, M 50 / V 50	501 914	1
1× Mortar hose, 13.3 m, ID 50, M 35 / V 50	207 616.006	2
1× Air hose 40 m, ½"	214 734.007	3
5× Seal ID 35	213 725.004	4
5× Seal ID 50	213 266.000	5
5× Sponge ball Ø 60 mm	000 212.005	6
5× Sponge ball Ø 45 mm	065 044.001	7
3× Hose holder, leather	000 206.008	

Optional accessories	Part no.	Fig.
1× PM grout, 18 l storage tank, 25 pcs	266 743.004	

Accessories for injection



Complete set, part no. 533 037
≈ 40 m long, consisting of:



Part	Part no.	Fig.
5× Seal ID 50	213 266.000	1
3× Mortar hose, 13.3 m, ID 50, V 50 / M 50	501 914	3
5× Sponge ball Ø 60 mm	000 212.005	2
2× Air hose 40 m, ½"	214 734.007	4
1× Injection nozzle cpl. with T-piece, Pressure gauge, remote control air valve, Coupling with spout ID 50, Mounted expanding collar D 45 and collar D 38	001 128.004	5
1× Hose holder, leather	000 206.008	

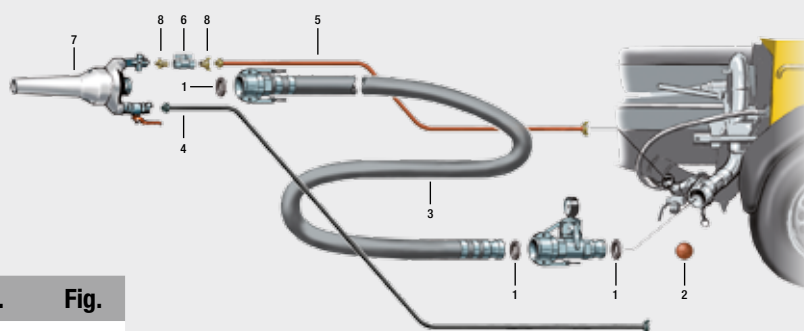
Optional accessories	Part no.	Fig.
1× PM grout, 18 l storage tank, 25 pcs	266 743.004	

Accessories for the injection of concrete, max. 40 bar, ≤ 8 mm grain size



Complete set, part no. 543 144
≈ 40 m long, consisting of:

Part	Part no.	Fig.
5× Seal ID 50	213 266.000	1
5× Sponge ball Ø 60 mm	000 212.005	2
3× Mortar hose, 13.3 m, ID 50, V 50 / M 50	501 914	3
1× Air hose 20 m, 3/4"	416 015	4
1× Air hose 1/2", 40 m	214 734.007	5
1× Ball valve 1/2"	207 792.001	6
1× Concrete spray gun, V 50, 30 mm	072 157.004	7
2× Geka coupling 1/2" AG	014 068.009	8
1× Hose holder, leather	000 206.008	
Optional accessories	Part no.	Fig.
1× PM grout, 18 l storage tank, 25 pcs	266 743.004	

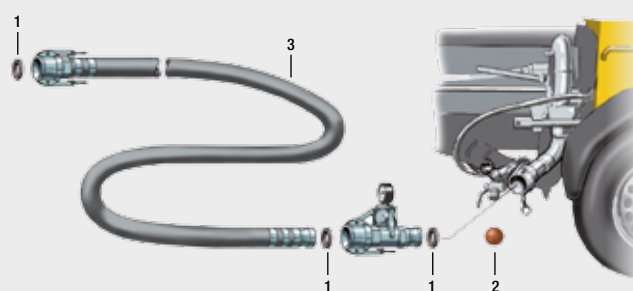


Accessories for self levelling floor screed



40 m long, consisting of:

Part	Part no.	Fig.
5× Seal ID 50	213 266.000	1
5× Sponge ball Ø 60 mm	000 212.005	2
3× Mortar hose, 13.3 m, ID 50, V 50 / M 50	501 914	3
1× Hose holder, leather	000 206.008	
Optional accessories	Part no.	Fig.
1× PM grout, 18 l storage tank, 25 pcs	266 743.004	





Self levelling floor screed

- Calcium sulphate screed
- Cement floor screed



Shotcrete

- Shotcrete



Fine grained concrete

- Conveying fine grained concrete
- Grouting work



P 715

Reliable, powerful and mobile for a wide range of applications

Maintenance and service-friendly

everything is protected below the canopy

Operating panel

ergonomical on one side



Large hopper 280 l
with rubber collar and protective grid

Piston pump unit
extremely robust

Chassis for road use

with autom. brake adjustment

Supporting feet

for secure stability

Equipment standard / option:	P 715
Automatic brake adjustment	■
Car fuse	■
Clamp coupling with sealing 4,5"	■
Cleaning tool	■
Instruction manual and spare parts list	■
Protective grid	■
Protective helmet	■
Rubber collar	■
Tool box with tool	■
Vibrator	■
Additive dosage	□
Air vessel (self levelling floor screed)	□
Cable remote control	□
Central lubrication system	□
Chassis 2,5 t	□
Customer labelling	□
Exhaust flap	□
Flushing water pump	□
High-pressure cleaner	□
Lifting eye	□
Light holder 24 V	□
Particle filter	□
Radio remote control	□
Special canopy paint in RAL colours	□
Stroke counter	□
Working light	□
Zero report for hopper	□

– Not available □ Option ■ Standard

Uncompromising versatility

- Processing self levelling floor screed, fine grained concrete and shotcrete with a maximum particle size of 16 mm
- The concrete pressure can be adjusted to 40 or 68 bar using a hand lever, depending on the material and delivery line
- Lightweight, roadworthy T-chassis (trailer version) and sturdy lifting eye for easy transportation and effortless manoeuvring



Two drive versions – electric motor or diesel engine

- Reliable oil-cooled 3-cylinder Deutz diesel engine complies with exhaust emission regulation COM III
- Abundant power, even at lower speeds – preserves the aggregate and saves on fuel
- Also available with low-noise, environmentally friendly electric motor (30 kW)



High-quality processing for greater working efficiency

- Operating and control elements are ergonomically and logically positioned on one side
- Lightweight plastic canopy with smooth painted finish, stainless and easy to clean
- Electrophoretic painting on body reliably protects against rust
- Hopper folds to the side to give access to the agitator



Low-wearing, versatile piston pump

- Hard chrome plated cylinders, spectacle wear plate made from tempered steel, self-sealing self-adjusting ring and S transfer tube minimise wear
- Low set agitator ensures homogeneous mixing quality
- Reliable hydraulic control for greater efficiency



Technical data	P 715 TD	P 715 SD	P 715 TE	P 715 SE
Part no.	111 591.5XX	111 591.6XX	111 591.7XX	111 591.8XX
Hopper volume	250 l / 280 l (with rubber attachment collar)			
Theoretical delivery rate*	4-17.4 m ³ /h	4-17.4 m ³ /h	4-18.2 m ³ /h	4-18.2 m ³ /h
Delivery pressure	68 bar	68 bar	68 bar	68 bar
Delivery range**	max. 300 m horizontal and 100 m vertical, with shotcrete max. 100 m horizontal and 80 m vertical			
Piston pump	Hydraulic, 2-cylinder			
Cylinder diameter	150 mm	150 mm	150 mm	150 mm
Drive	3-cylinder Deutz diesel engine, 34.5 kW		30 kW electric motor, 400 V, 50 Hz	
Drive cylinder diameter	80/45 mm	80/45 mm	80/45 mm	80/45 mm
Piston stroke	700 mm	700 mm	700 mm	700 mm
Min. strokes	27	27	27	27
Weight	1,850 kg	1,700 kg	1,800 kg	1,650 kg
Length × width × height	4,600 x 1,520 x 1,750 mm	2,950 x 1,400 x 1,550 mm	4,600 x 1,520 x 1,650 mm	2,950 x 1,400 x 1,400 mm
Filling height	1,180 mm	973 mm	1,180 mm	973 mm
Maximum particle size	16 mm	16 mm	16 mm	16 mm
Machine model	Trailer concrete pump	Stationary pump	Trailer concrete pump	Stationary pump
Chassis	T chassis 1,900 kg	Runner	T chassis 1,900 kg	Runner

* The delivery rate depends on the pump model, and can vary in accordance with the pump used.

** The data is based on experience and depends on the materials used.

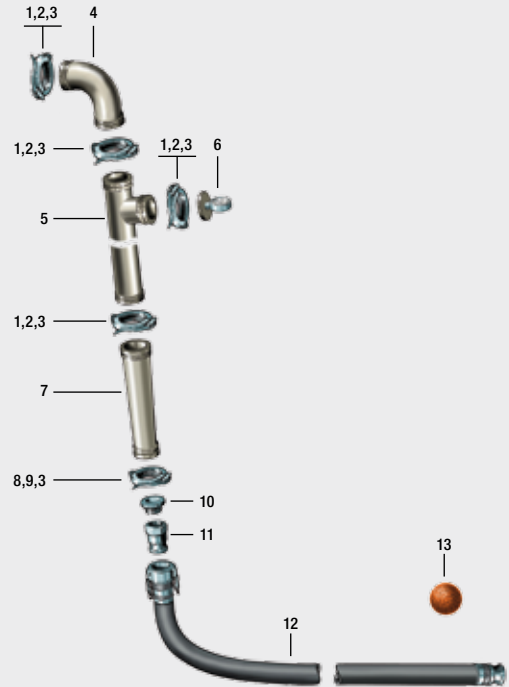
Accessories P 715

Delivery line for mortar and self levelling floor screed, PM 50, 40 bar, ≤ 8 mm grain size

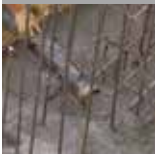


Complete set, part no. 533 046
Standard delivery line ≈ 80 m long, consisting of:

Part	Part no.	Fig.
5× Clamp coupling, SK 4.5"	431 613	1
5× Gasket, ID 100, 4.5"	057 341.000	2
6× Securing cotter pin	018 878.004	3
2× Delivery line bend, SK 100, 4.5", 90°	421 329	4
1× T-delivery pipe, SK 100, 4.5", 1 m	057 614.009	5
1× Pressure gauge, SK 100, 4.5", 100 bar	521 430	6
1× Reducer pipe, SK 100, 4.5"- SK 65, 3", 1.5 m	238 508.002	7
1× Clamp coupling, SK 3"	417 798	8
1× Gasket, ID 65, 3"	064 084.004	9
1× Transition piece SK 50 / RA 2"	082 784.001	10
1× PM coupling V 50, RI 2"	205 273.001	11
6× Mortar hose, ID 50, 40 bar, 13.3 m	501 914	12
6× Sponge ball \varnothing 60 mm	000 212.005	
1× Lid	057 627.009	

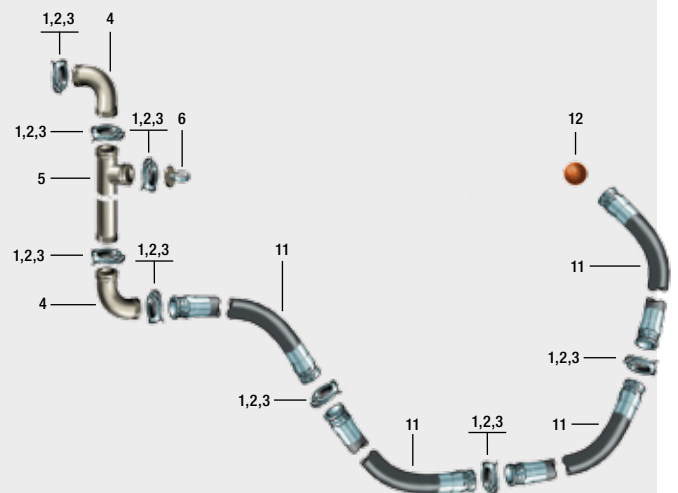


Flexible delivery line for fine concrete, mortar, self levelling floor screed, ID 100 / 4.5", 85 bar, ≤ 16 mm grain size



Complete set, part no. 533 049
Standard delivery line ≈ 50 m long, consisting of:

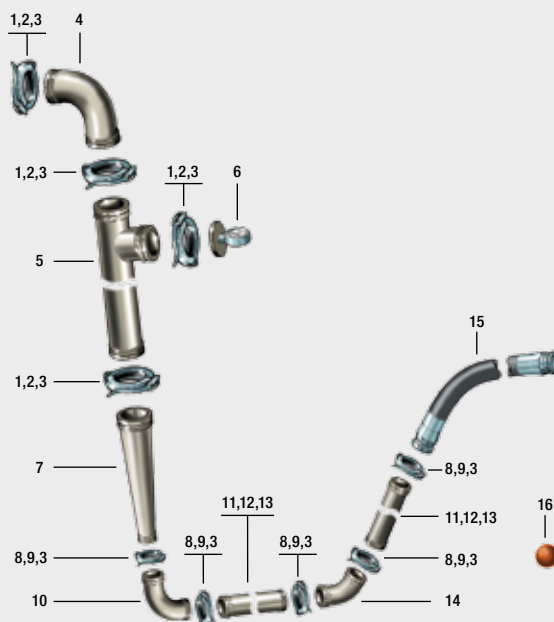
Part	Part no.	Fig.
22× Clamp coupling, SK 4.5"	431 613	1
22× Gasket, ID 100, 4.5"	057 341.000	2
22× Securing cotter pin	018 878.004	3
2× Delivery line bend, SK 100, 90°, 4.5"	421 329	4
1× T-delivery pipe SK 100, 4.5", 1,000 mm	057 614.009	5
1× Pressure gauge, SK 100, 4.5", 100 bar	521 430	6
18× Delivery hose SK 100, 4.5", 2,850 mm	253 319.001	11
6× Sponge ball \varnothing 120 mm	016 091.003	12
1× Lid	057 627.009	



Delivery line for fine concrete, mortar, and self levelling floor screed, SK 50, 60 bar, ≤ 8 mm grain size


Complete set, part no. 533 038
Standard delivery line ≈ 100 m long, consisting of:

Part	Part no.	Fig.
4× Clamp coupling, SK 4.5"	431 613	1
4× Gasket, ID 100, 4.5"	057 341.000	2
55× Securing cotter pin	018 878.004	3
1× Delivery line bend, SK 100, 4.5", 90°	421 329	4
1× T-delivery pipe SK 100, 4.5", 1,000 mm	057 614.009	5
1× Pressure gauge, SK 100, 4.5", 100 bar	521 430	6
1× Reducer pipe 100, 50-4.5" / 3", 1,500 mm	238 508.002	7
45× Clamp coupling, SK, 3"	417 798	8
55× Gasket, ID 65, 3"	064 084.004	9
4× Delivery bend pipe, 50, 3", 90°	081 777.006	10
2× Delivery pipe SK 50, 3", 3,000 mm	081 783.003	11
4× Delivery pipe SK 50, 3", 2,000 mm	081 784.002	12
30× Delivery pipe SK 50, 3", 3,000 mm	081 785.001	13
1× Lid	057 627.009	

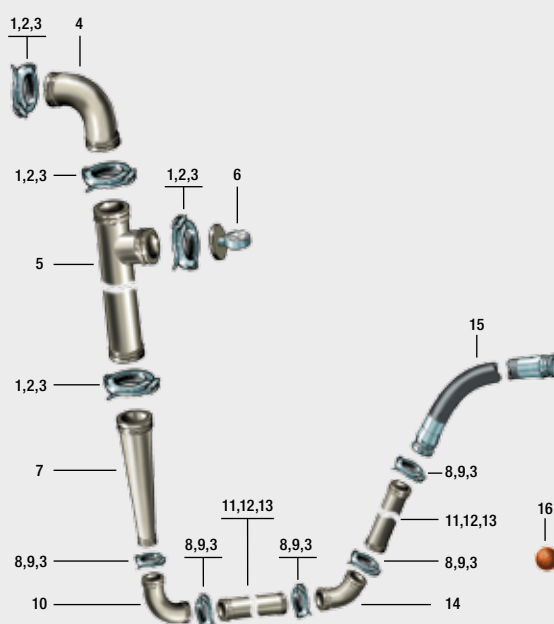


Part	Part no.	Fig.
4× Delivery line bend, SK 50, 3", 45°	081 779.004	14
1× Delivery hose 3", SK 50, 3", 2,000 mm	481 169	15
6× Sponge ball Ø 60 mm	000 212.005	16

Delivery line for fine concrete, mortar, and self levelling floor screed, SK 65, 85 bar, ≤ 12 mm grain size


Complete set, part no. 533 042
Standard delivery line ≈ 100 m long, consisting of:

Part	Part no.	Fig.
4× Clamp coupling, SK 4.5"	431 613	1
4× Gasket, ID 100, 4.5"	057 341.000	2
49× Securing cotter pin	018 878.004	3
1× Delivery line bend, SK 100, 4.5", 90°	421 329	4
1× T-delivery pipe SK 100, 4.5", 1,000 mm	057 614.009	5
1× Pressure gauge, SK 100, 4.5", 100 bar	521 430	6
1× Reducer pipe 100, 65-4.5" / 3", 1,000 mm	224 269.009	7
44× Clamp coupling, SK 3"	417 798	8
44× Gasket, ID 65, 3"	064 084.004	9
4× Delivery line bend, SK 65, 3", 90°	057 756.006	10
2× Delivery pipe SK 65, 3", 3,000 mm	057 727.006	11
4× Delivery pipe SK 65, 3", 2,000 mm	057 728.005	12
29× Delivery pipe SK 65, 3", 3,000 mm	057 729.004	13
1× Lid	057 627.009	



Part	Part no.	Fig.
4× Delivery line bend, SK 65, 3", 45°	057 758.004	14
1× Delivery hose SK 65, 3", 5,000 mm	535 521	15
6× Sponge ball Ø 80 mm	000 246.000	16

Accessories P 715

High-pressure concrete injection line, SK 65/SK 50, 3", max. 85 bar, ≤ 10 mm grain size

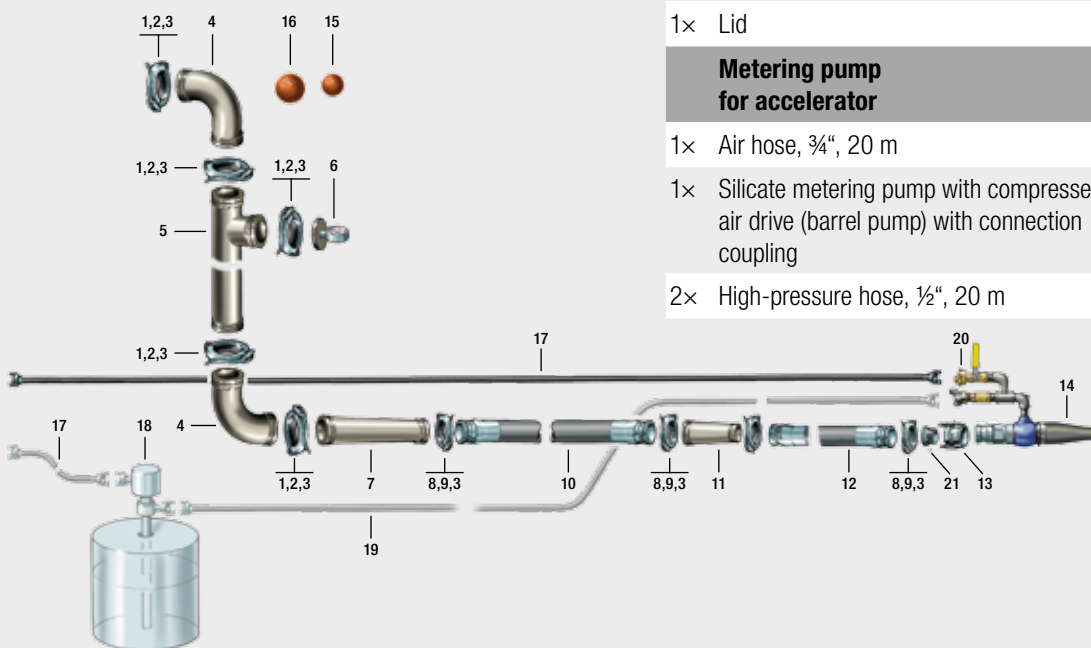


Complete set, part no. 533 048
Standard delivery line ≈ 60 m long,
consisting of:

Part	Part no.	Fig.
4× Clamp coupling SK 4.5"	431 613	1
4× Gasket, ID 100, 4.5"	057 341.000	2
30× Securing cotter pin	018 878.004	3
1× Delivery line bend, SK 100, 4.5", 90°	421 329	4
1× T-delivery pipe SK 100, 4.5", 1,000 mm	057 614.009	5
1× Pressure gauge, SK 100, 4.5", 100 bar	521 430	6
1× Reducer pipe SK 100, 4.5" – SK 65 / 3", 1 m	224 269.009	7
16× Clamp coupling, SK 3"	417 798	8

Part	Part no.	Fig.
16× Gasket, ID 65, 3"	064 084.004	9
8× Delivery hose SK 65, 3", 5,000 mm	535 521	10
1× Reducer pipe SK 65, 3" – SK 50, 3", 1,000 mm	058 670.000	11
4× Delivery hose SK 50, 3", 5,000 mm	481 171	12
1× Transition piece, SK 50, 3" to 2", IG	027 716.005	21
1× PM coupling, M 50, 2"	211 600.008	13
1× High-pressure concrete spray gun with rubber nozzle, 2", AG	532 589	14
6× Sponge ball Ø 60 mm	000 212.005	15
6× Sponge ball Ø 80 mm	000 246.000	16
2× Air hose 3/4", 20 m	416 015	17
1× Replacement rubber nozzle	532 590	
1× Geka 3/8" RA	041 403.006	20
1× Lid	057 627.009	

Metering pump for accelerator	Part no.	Fig.
1× Air hose, 3/4", 20 m	416 015	17
1× Silicate metering pump with compressed air drive (barrel pump) with connection coupling	002 423.009	18
2× High-pressure hose, 1/2", 20 m	001 983.003	19



Concrete spray hose SK 65 / PM 50 / 3"; max. 40 bar, ≤ 8 mm grain size



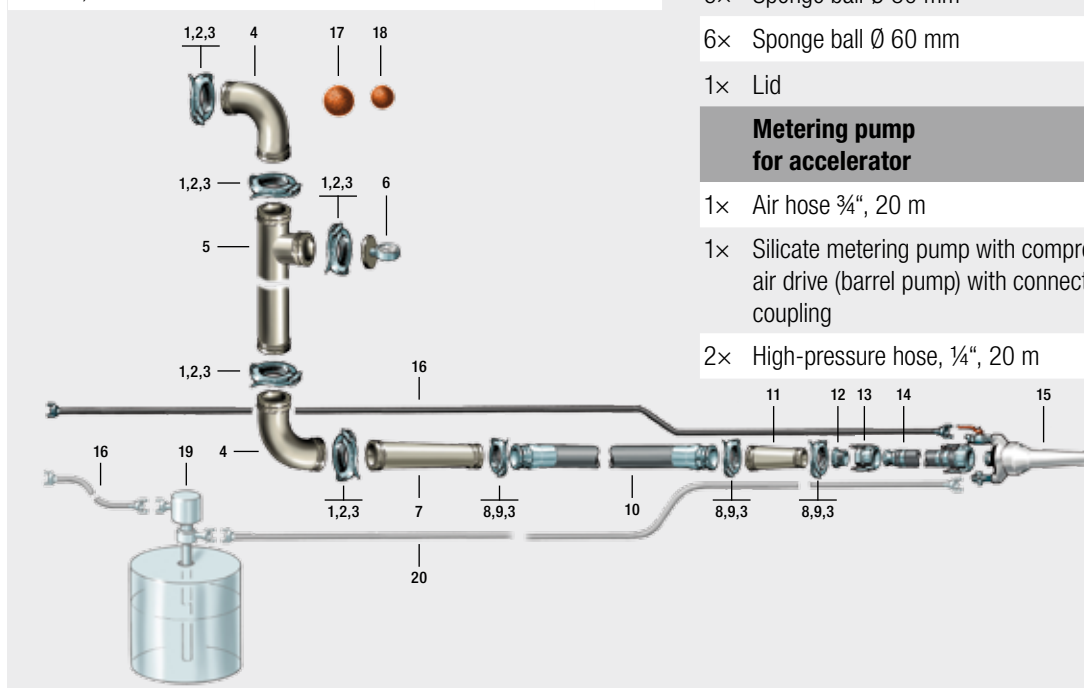
Complete set, part no. 533 047
Standard delivery line ≈ 50 m long,
consisting of:

Part	Part no.	Fig.
4× Clamp coupling, SK 4.5"	431 613	1
4× Gasket, ID 100, 4.5"	057 341.000	2
30× Securing cotter pin	018 878.004	3
2× Delivery line bend, SK 100, 4.5", 90°	421 329	4
1× T-delivery pipe, SK 100, 4.5", 1 m	057 614.009	5
1× Pressure gauge, SK 100, 4.5", 100 bar	521 430	6
1× Reducer pipe, SK 100, 4.5"-SK 65, 3", 1 m	224 269.009	7

Part	Part no.	Fig.
11× Clamp coupling, SK 3"	417 798	8
15× Gasket, ID 65, 3"	064 084.004	9
8× Delivery hose, SK 65, 3", 5 m	535 521	10
1× Reducer pipe SK 65, 3" – SK 50, 3", 1,000 mm	058 670.000	11
1× Transition piece	027 716.005	12
1× PM coupling, M 50, 2"	211 600.008	13
1× Mortar hose, ID 50 TS PN 40, 13 m	501 914	14
1× Concrete injection nozzle, V 50, 30 mm	072 157.004	15
2× Air hose 3/4", 20 m	416 015	16
6× Sponge ball Ø 80 mm	000 246.000	17
6× Sponge ball Ø 60 mm	000 212.005	18
1× Lid	057 627.009	

Metering pump for accelerator

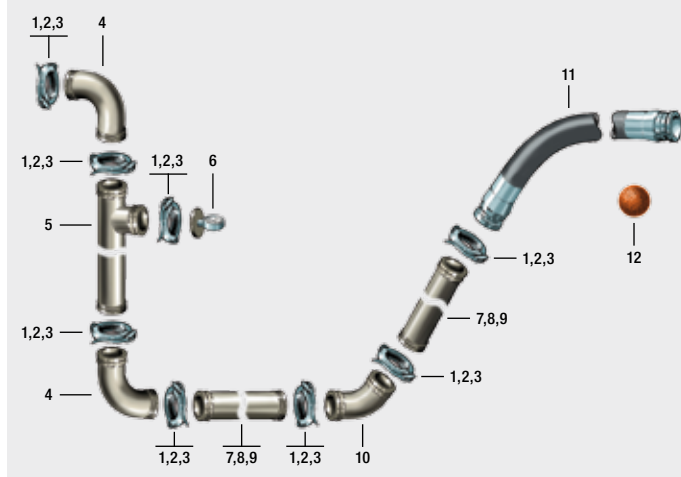
Part	Art.-Nr.	Fig.
1× Air hose 3/4", 20 m	416 015	16
1× Silicate metering pump with compressed air drive (barrel pump) with connection coupling	002 423.009	19
2× High-pressure hose, 1/4", 20 m	001 983.003	20



Delivery line for fine concrete, SK 100 / 4.5", 85 bar, ≤ 16 mm grain size



Complete set, part no. 533 051
Standard delivery line ≈ 100 m long,
consisting of:



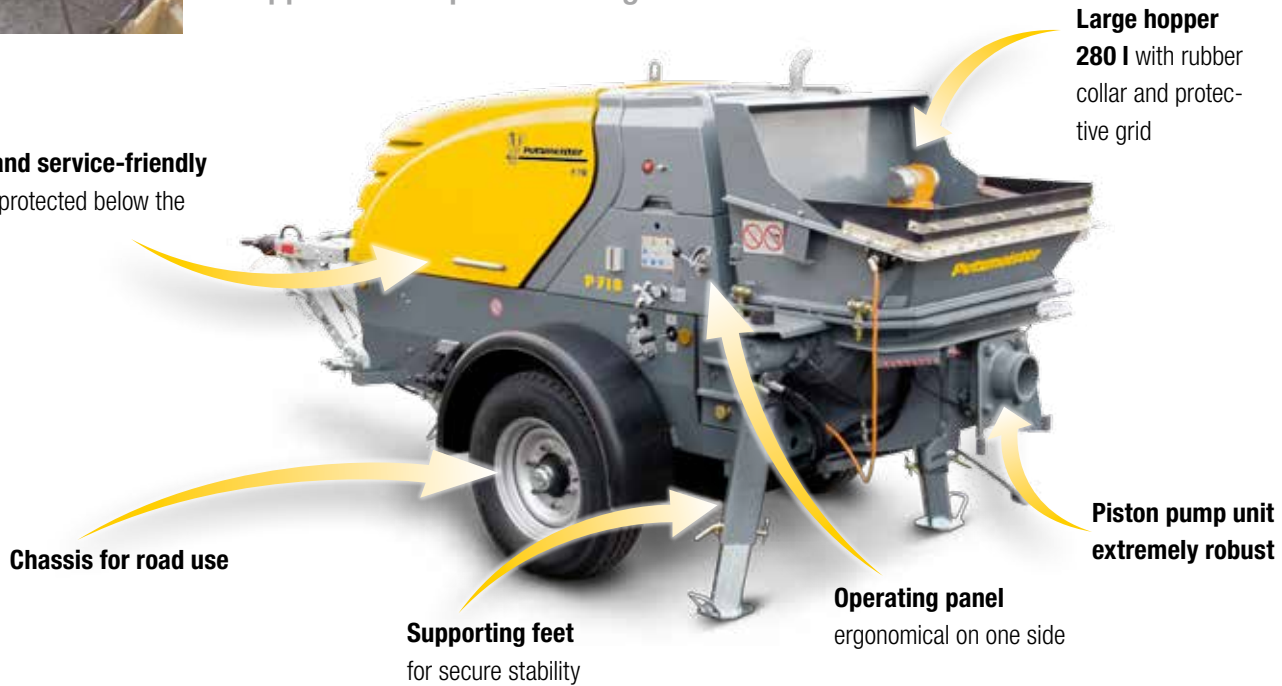
Part	Part no.	Fig.
48× Clamp coupling, SK 4.5"	431 613	1
55× Gasket, ID 100, 4.5"	057 341.000	2
55× Securing cotter pin	018 878.004	3
4× Delivery line bend, SK 100, 90°, 4.5"	421 329	4
1× T-delivery pipe SK 100, 4.5", 1,000 mm	057 614.009	5
1× Pressure gauge, SK 100, 4.5", 100 bar	521 430	6
30× Delivery pipe SK 100, 4.5", 3,000 mm	056 863.000	7
4× Delivery pipe SK 100, 4.5", 2,000 mm	056 862.001	8
2× Delivery pipe SK 100, 4.5", 1,000 mm	056 861.002	9
4× Delivery line bend, SK 100, 4.5", 45°	057 593.007	10
1× Delivery hose SK 100, 4.5", 2850 mm	253 319.001	11
6× Sponge ball Ø 120 mm	016 091.003	12
1× Lid	057 627.009	



P 718

Compact, wear-resistant powerhouse for heavy-duty applications up to 32 mm grain size

Maintenance and service-friendly
everything is protected below the canopy



Shotcrete



Concrete, max. 32 mm grain size



Equipment standard / option:

P 718

Car fuse	■
Clamp coupling with sealing 4,5"	■
Cleaning tool	■
Instruction manual and spare parts list	■
Lifting eye	■
Protective grid	■
Protective helmet	■
Rubber collar	■
Tool box with tool	■
Vibrator	■
Additive dosage	□
Cable remote control	□
Central lubrication system	□
Chassis 2,5 t	□
Customer labelling	□
Exhaust flap	□
Flushing water pump	□
High-pressure cleaner	□
Light holder 24 V	□
Particle filter	□
Radio remote control	□
Special canopy paint in RAL colours	□
Stroke counter	□
Working lights	□
Zero report for hopper	□

– Not available □ Option ■ Standard

Sufficient power for coarse materials (32 mm grain size)

- Also suitable for conveying self levelling floor screed and shotcrete
- 70 bar pressure at low speed – preserves the aggregate and saves fuel
- Large hopper with capacity of 360 l
- Reliable hydraulic control for greater efficiency



Minimal operating and maintenance costs

- Lightweight painted plastic canopy and electrophoretic painting on body do not rust and are easy to clean
- Easy access for cleaning, maintenance and service work such as checking the oil level



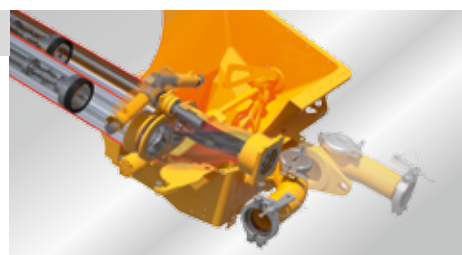
Simple, clearly laid out, user-friendly

- Operating and control elements are ergonomically positioned within easy reach and visual range on one side
- Hopper folds to the side to give access to the agitator
- Lightweight, roadworthy T-chassis (trailer version) and sturdy lifting eye for easy transportation and effortless manoeuvring



Wear-resistant, durable dual piston pump

- Hard chrome plated cylinders
- Spectacle wear plate made from tempered steel
- Self-sealing self-adjusting ring
- Geometry of the S transfer tube adapted to coarse materials



Technical data	P 718 TD	P 718 SD	P 718 TE	P 718 SE
Part no.	111 514.5XX	111 514.XXX depending on each machine configuration		
Hopper volume	360 l	360 l	360 l	360 l
Theoretical delivery rate*	4-17.4 m ³ /h	4-17.4 m ³ /h	4-17.4 m ³ /h	4-17.4 m ³ /h
Delivery pressure	68 bar	68 bar	68 bar	68 bar
Delivery range**	max. 300 m horizontal and 100 m vertical, with shotcrete max. 100 m horizontal and 80 m vertical			
Piston pump	2-cylinder, hydraulic			
Cylinder diameter	150 mm	150 mm	150 mm	150 mm
Engine	3-cylinder Deutz diesel, 34.5 kW		30 kW electric, 400 V, 50 Hz	
Drive cylinder diameter	80/45 mm	80/45 mm	80/45 mm	80/45 mm
Piston stroke	700 mm	700 mm	700 mm	700 mm
Min. strokes	27	27	27	27
Weight	2,320 kg	2,000 kg	2,260 kg	1,940 kg
Length × width × height	4,644 x 1,560 x 1,790 mm	3,025 x 1,460 x 1,600 mm	4,644 x 1,560 x 1,750 mm	3,025 x 1,460 x 1,450 mm
Filling height	1,180 mm	1,120 mm	1,180 mm	1,120 mm
Maximum particle size	32 mm	32 mm	32 mm	32 mm
Machine model	Trailer concrete pump	Stationary pump	Trailer concrete pump	Stationary pump
Chassis	T chassis	Runner	T chassis	Runner

* The delivery rate depends on the pump model, and can vary in accordance with the pump used.

** The data is based on experience and depends on the materials used.

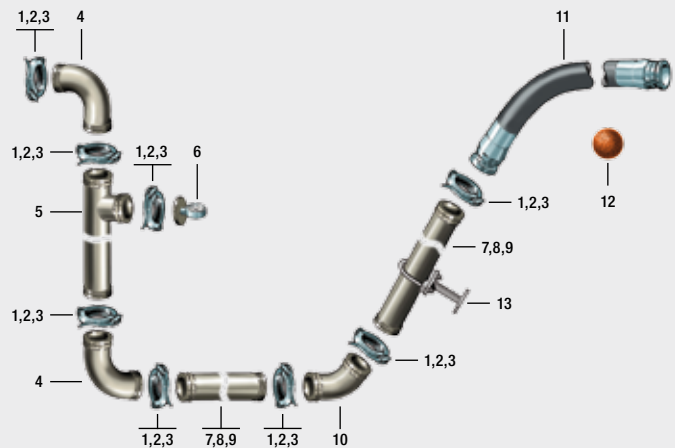
Accessories P 718

Delivery line for fine concrete SK 125 / 5.5", 85 bar, ≤ 32 mm grain size



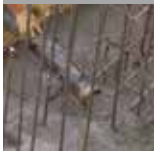
Complete set, part no. 533 054
Standard delivery line ≈ 100 m long,
consisting of:

Part	Part no.	Fig.
60× Clamp coupling, SK 5.5"	417 249	1
60× Gasket, 5.5"	055 559.001	2
60× Securing cotter pin	018 878.004	3
6× Delivery line bend SK 125, 5.5" 90° r=275 HD	261 402.007	4
1× T delivery pipe SK 125, 5.5" 1,000 mm	057 615.008	5
1× Pressure gauge, SK 125, 5.5" 100 bar	521 448	6
2× Delivery pipe SK 125, 5.5", 1,000 mm	056 849.008	7
2× Delivery pipe SK 125, 5.5", 2,000 mm	056 850.000	8
32× Delivery hose SK 125, 5.5", 3,000 mm	056 851.009	9
2× Delivery line bend SK 125, 5.5", 45°	057 596.004	10
2× Delivery line bend, SK 125, 5.5", 30°	258 935.008	10
4× Manual gate valve, GVM 2/2, 130 bar	433 497	11
6× Sponge ball Ø 150 mm	018 841.002	12
6× Sponge ball Ø 150 mm, hard	223 673.007	12
1× Lid	057 628.008	
1× Support holder for end hose	054 371.002	



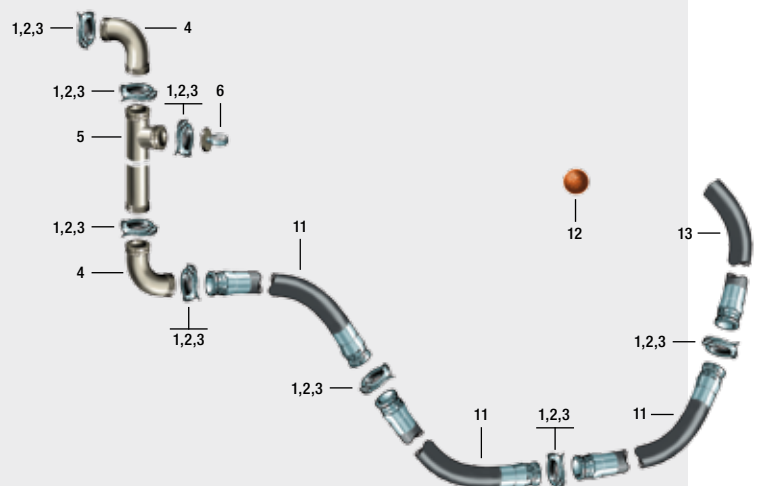
Additional accessories	Part no.	Fig.
1× Manual gate valve, GVM 2/2, 130 bar	413 087	
1× Wash-out port lid, SK 125, 5.5"	057 619.004	
1× PM grout, 18 l storage tank, 25 pcs	266 743.004	
1× Pipeline mount, wall and ground	051 038.005	13

Flexible delivery line for fine concrete SK 125 / 5.5", 85 bar, ≤ 32 mm grain size



Complete set, part no. 533 055
Standard delivery line ≈ 100 m long,
consisting of:

Part	Part no.	Fig.
60× Clamp coupling, SK 5.5"	417 249	1
60× Gasket, 5.5"	055 559.001	2
60× Securing cotter pin	018 878.004	3
4× Delivery line bend, SK 125, 5.5" 90°	261 402.007	4
1× T delivery pipe, SK 125, 5.5", 1,000 mm	057 615.008	5
1× Pressure gauge, SK 125, 5.5", 100 bar	521 448	6
5× Delivery hose SK 125, 5.5", 2,000 mm	027 643.000	11
18× Delivery hose SK 125, 5.5", 5000 mm	057 612.001	11
6× Sponge ball Ø 150 mm	018 841.002	12
6× Sponge ball Ø 150 mm, hard	223 673.007	12
1× End hose SK 125, 5.5", 3,000 mm	233 649.005	13
1× Support holder for end hose	054 371.002	
1× Lid	057 628.008	

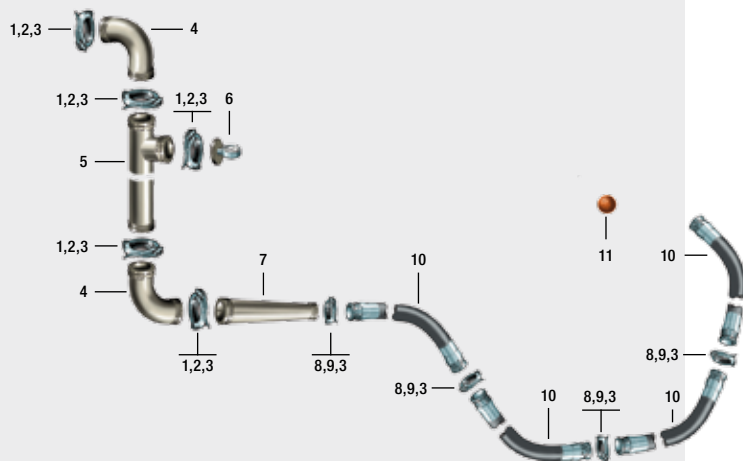


Additional accessories	Part no.	Fig.
1× Wash-out port lid for T-delivery pipe, 5.5"	057 619.004	
1× Delivery hose SK 125, 5.5", 3,000 mm	433 497	11
1× Delivery hose SK 125, 5.5", 4000 mm	089 983.009	11
1× PM hose carriage, cpl.	482 464	
1× PM grout, 18 l storage tank, 25 pcs	266 743.004	

Flexible delivery line for fine concrete SK 100 / 4.5", 85 bar, ≤ 16 mm grain size


Complete set, part no. 533 053
Standard delivery line ≈ 100 m long,
consisting of:

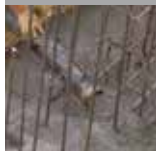
Part	Part no.	Fig.
6× Clamp coupling, SK 5.5"	417 249	1
6× Gasket, 5.5"	055 559.001	2
60× Securing cotter pin	018 878.004	3
2× Delivery line bend SK 125, 5.5", 90°	261 402.007	4
1× T delivery pipe SK 125, 5.5" 1,000 mm	057 615.008	5
1× Pressure gauge, SK 125, 5.5" 100 bar	521 448	6
1× Reducer pipe SK 125, 5.5", SK 100, 4.5", 1,000 mm	057 604.006	7
50× Clamp coupling, SK 100, 4.5"	431 613	8
50× Gasket, ID 100, 4.5"	057 341.000	9
18× Delivery hose SK 100, 4.5", 2850 mm	253 319.001	10
6× Sponge ball Ø 120 mm	016 091.003	11
1× Lid	057 628.008	


Additional accessories

Part	Part no.	Fig.
1× Wash-out port lid for T-delivery pipe, 5.5"	057 619.004	
1× PM grout, 18 l storage tank, 25 pcs	266 743.004	

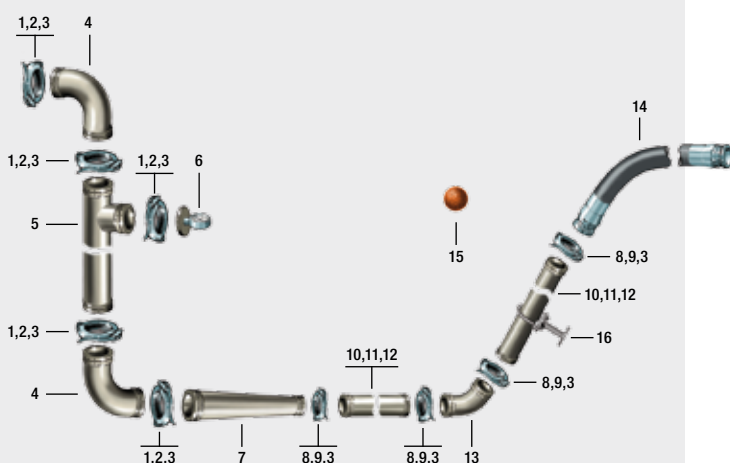
Alternative

Part	Art.-Nr.	Abb.
1× Delivery hose SK 100, 4.5", 5,000 mm	057 609.001	10

Delivery line for fine concrete SK 100 / 4.5", 85 bar, ≤ 16 mm grain size


Complete set, part no. 533 052
Standard delivery line ≈ 50 m long,
consisting of:

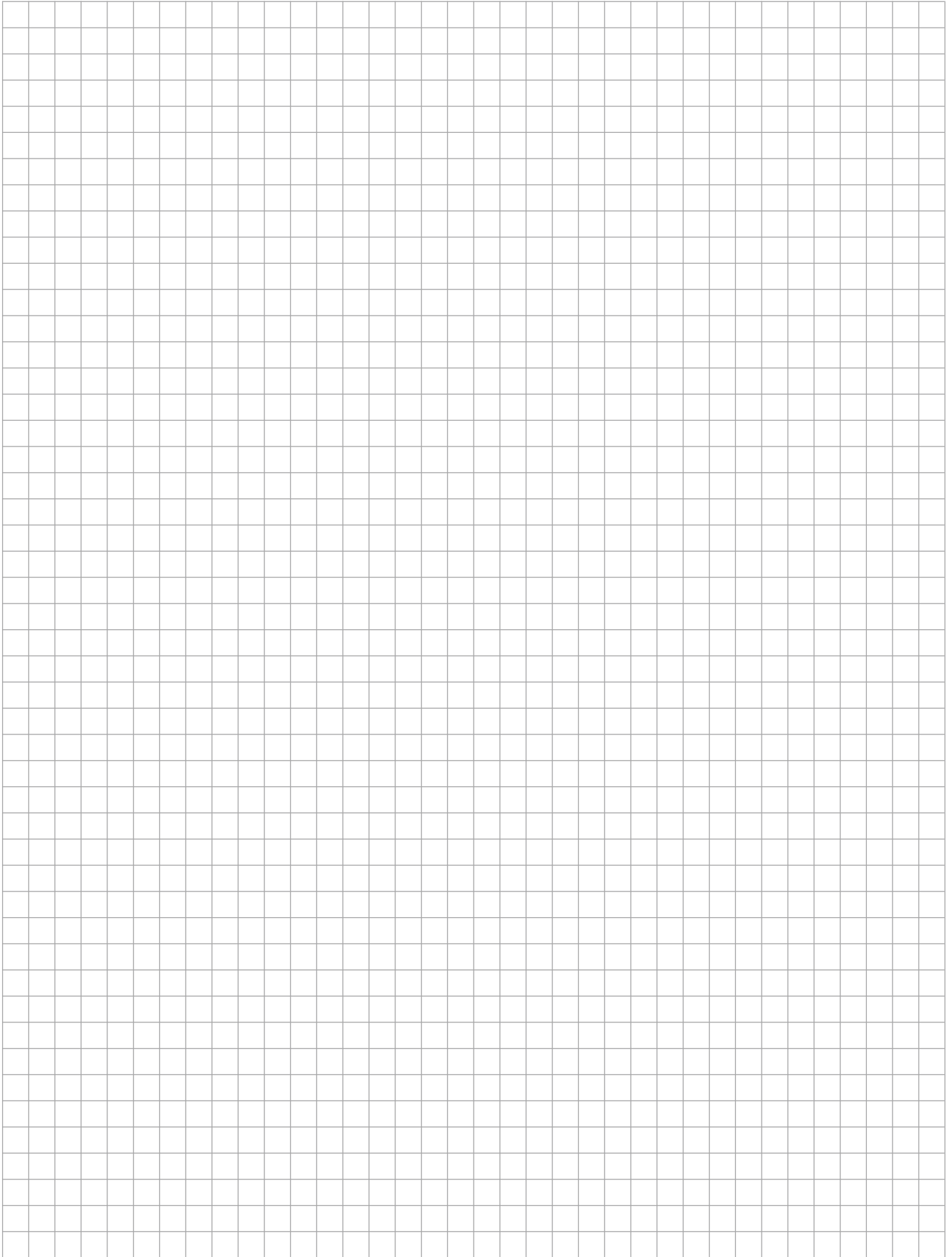
Part	Part no.	Fig.
6× Clamp coupling, SK 5.5"	417 249	1
6× Gasket, 5.5"	055 559.001	2
60× Securing cotter pin	018 878.004	3
2× Delivery line bend, SK 5.5" 90°	261 402.007	4
1× T delivery pipe SK 125, 5.5"; 1,000 mm	057 615.008	5
1× Pressure gauge, SK 125, 5.5" 100 bar	521 448	6
1× Reducer pipe SK 125, 5.5" SK 100, 4.5", 1,000 mm	057 604.006	7
50× Clamp coupling, SK 4.5"	431 613	8
50× Gasket, ID 100, 4.5"	057 341.000	9
30× Delivery pipe SK 100, 4.5", 3,000 mm	056 863.000	10
4× Delivery pipe SK 100, 4.5", 2,000 mm	056 862.001	11
2× Delivery pipe SK 100, 4.5", 1,000 mm	056 861.002	12
4× Delivery line bend, SK 100, 4.5", 90°	421 329	13
4× Delivery line bend, SK 100, 4.5", 45°	057 593.007	13
1× Lid	057 628.008	

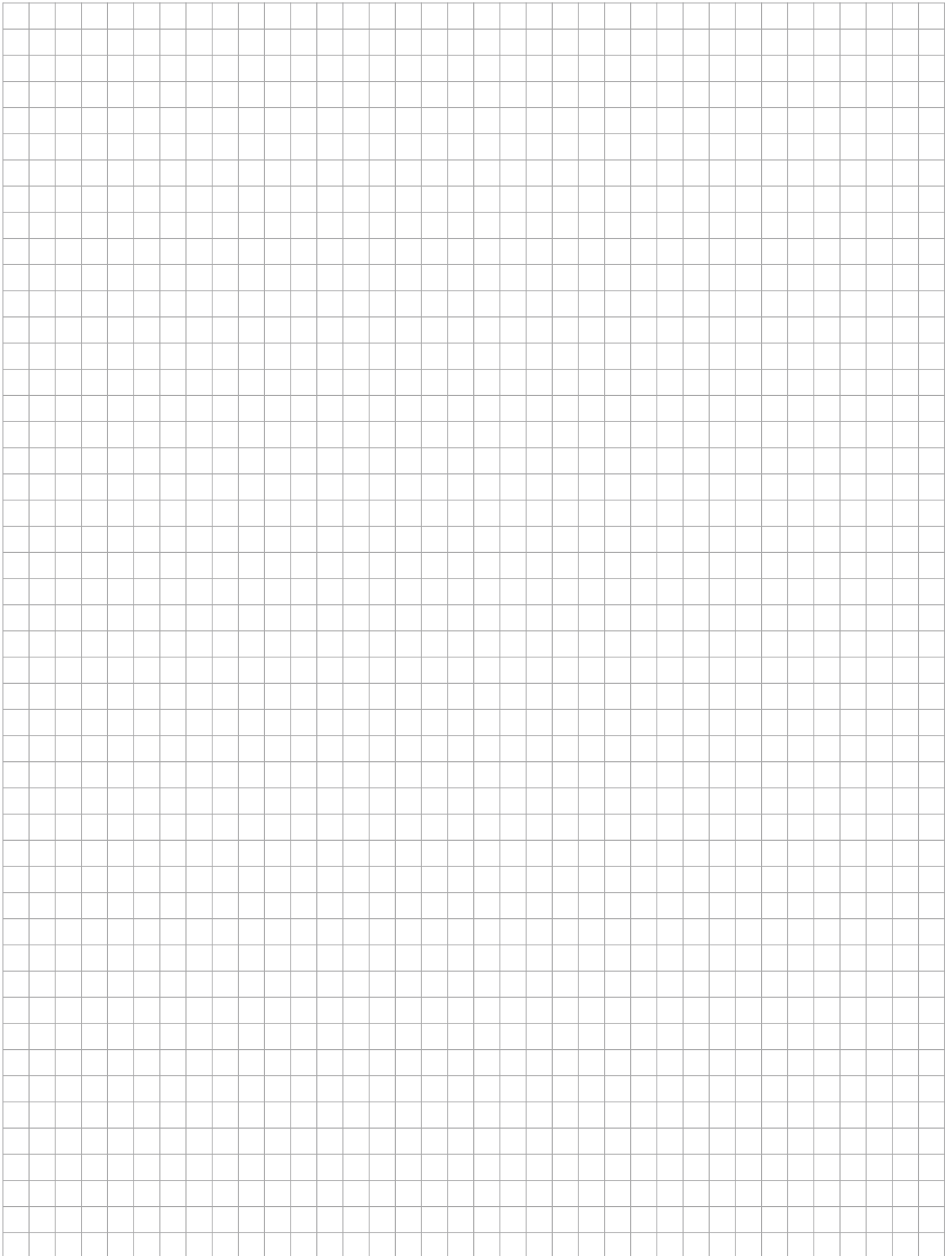

Part

Part	Part no.	Fig.
6× End hose SK 100, 4.5", 2,850 mm	253 319.001	14
6× Sponge ball Ø 120 mm	016 091.003	15

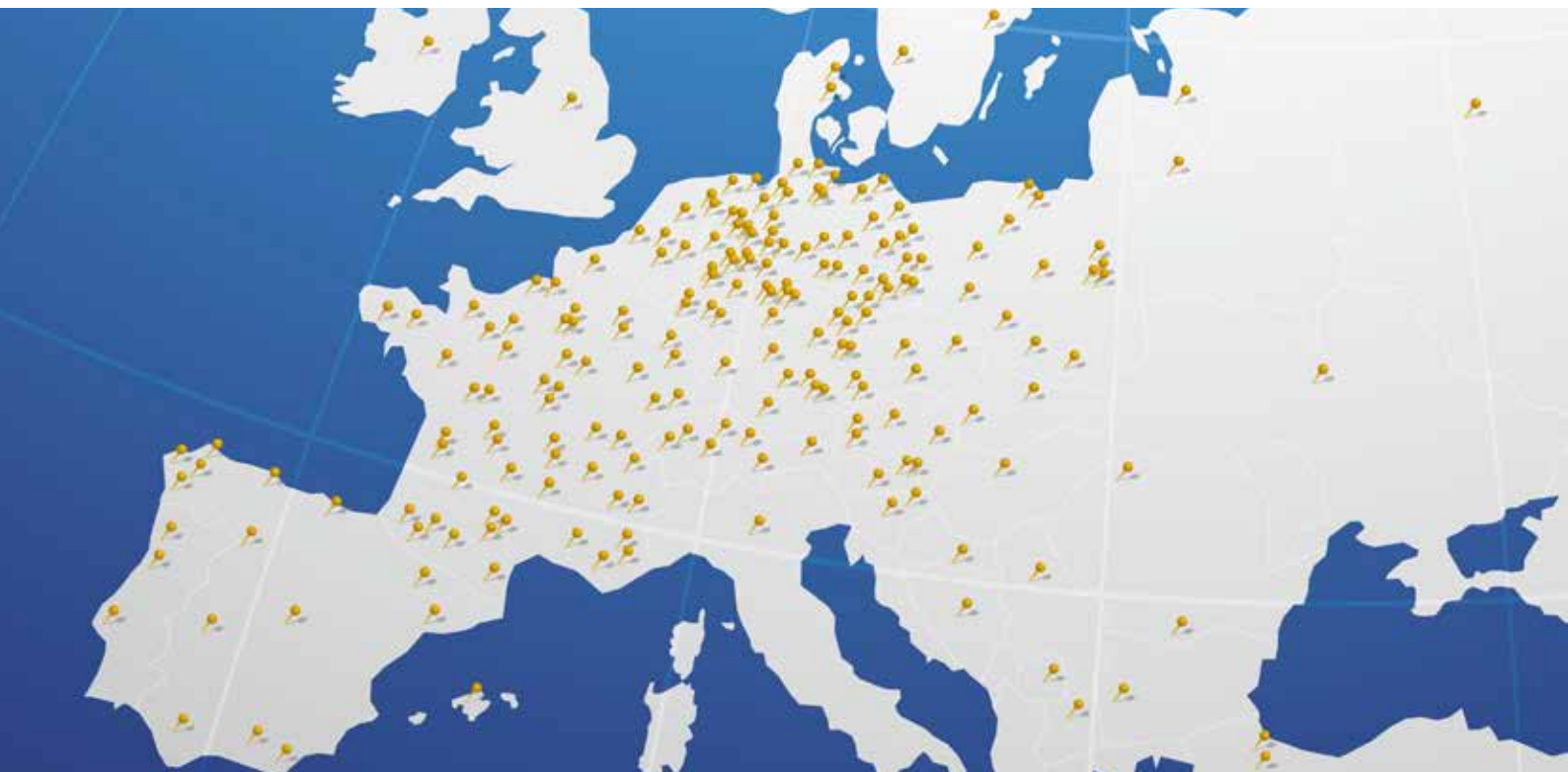
Additional accessories

Part	Part no.	Fig.
1× Wash-out port lid for T-delivery pipe, 5.5"	057 619.004	
1× Pipeline mount, wall or ground	051 038.005	16
1× PM grout, 18 l storage tank, 25 pcs	266 743.004	





Putzmeister Service – always near you



Find your nearest Putzmeister dealer here
www.pmmortar.com

The maximum availability of your machine must be guaranteed. Our reliable service team will be glad to help if the worst comes to the worst. To make sure you are not kept waiting, we work with a large network of competent service partners located all over the world.

Fast delivery of original spare parts

We have a large warehouse at our main plant in Aichtal and our service support points, where we stock all our spare and wear parts. Consequently, we can deliver all the parts you need at the drop of a hat. The same applies for our quality accessories. We always keep the most common parts from our extensive assortment in stock.

Our electronic spare part catalogue provides a comprehensive overview of all parts. Simply enter your machine number or part number to display the relevant spare parts. Click on the “Service” menu item on our homepage at www.pmmortar.de for more information.



Work more efficiently with Putzmeister training courses

Gather first-hand information in the Putzmeister academy and share practical knowledge that can be applied to your daily working routine.

We offer you

- Technical training on the design characteristics and functions of the machine
- User training on handling and economical operation of Putzmeister machines
- Individual seminars held at your own company
- Special seminars for sales partners that discuss current sales information
- State-of-the-art facilities for staff and customer training
- Trainers with extensive practical experience
- Interesting, easily comprehensible transfer of knowledge
- Detailed training documentation

Advantages

- Save time and money – rectify minor faults and perform simple maintenance tasks independently
- Correct machine operation for greater working efficiency
- Prevent incorrect operation – increase availability



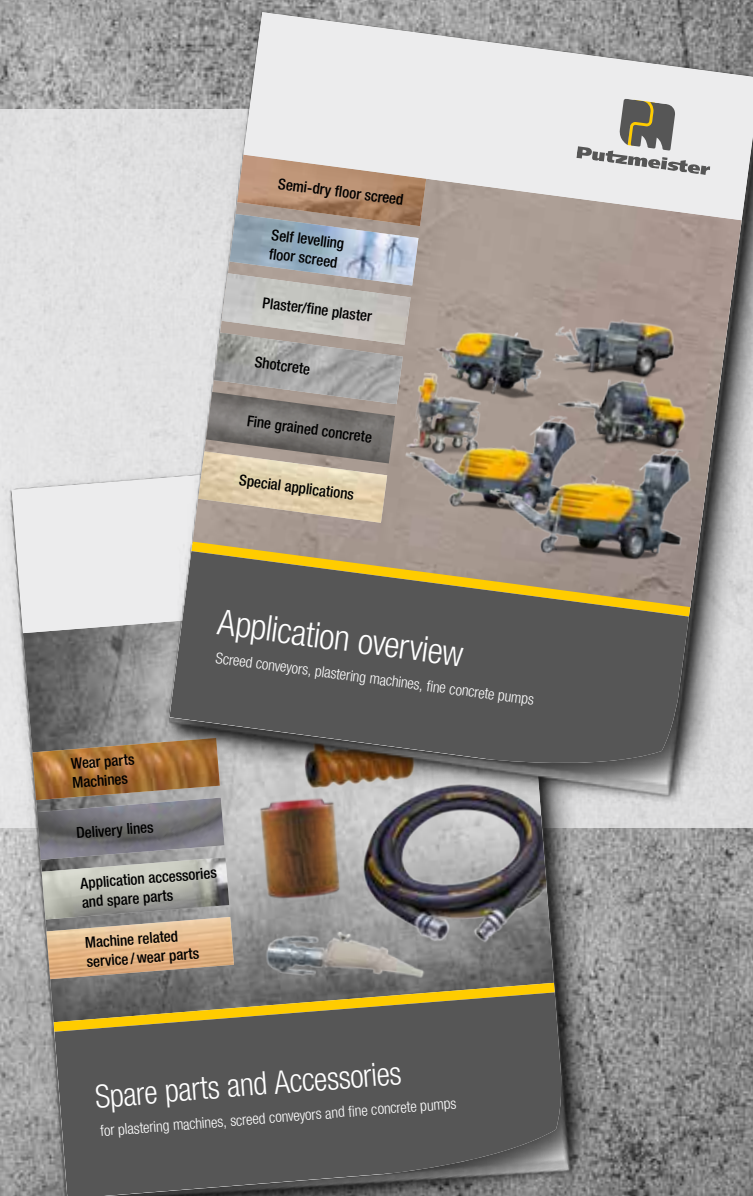
Your service benefits at a glance

- Service centres in more than 150 countries worldwide
- **Putzmeister service hotline: +49 (7127) 599-699** or e-mail **PMTservices@pmw.de**
- Competent contact partners
- Fast, uncomplicated order processing
- Short delivery times for machines, spare parts, and wear parts
- Certified original parts, 12,000 different items kept in stock
- Eco-friendly machines
- Fair pricing
- Made in Germany
- Manufacturer inspection according to German Engineering Federation requirements (certified as per EN ISO 9001)

Read our application overview brochure for a quick overview of all application solutions.

Or are you interested in purchasing spare parts and other accessories? You can find everything you will need for your machine in our new accessories catalogue.

Ask your Putzmeister dealer or contact us directly. We will send you all the relevant information immediately.



Evocon d.o.o.

Banatska 28v, 11080 Beograd (Zemun)

+381 (0) 11 375 08 08

office@evocon.rs

www.evocon.rs

