

Volvo Construction Equipment  
Building Tomorrow



# SD45B

Volvo Single Drum Compactors 4.9 t 55 kW



# A passion for performance

At Volvo Construction Equipment, we're not just coming along for the ride. Developing products and services that raise productivity – we are confident we can lower costs and increase profits for industry experts. Part of the Volvo Group, we are passionate about innovative solutions to help you work smarter – not harder.

## Helping you to do more

Doing more with less is a trademark of Volvo Construction Equipment. High productivity has long been married to low energy consumption, ease of use and durability. When it comes to lowering life-cycle costs, Volvo is in a class of its own.

## Designed to fit your needs

There is a lot riding on creating solutions that are suited to the particular needs of different industry applications. Innovation often involves high technology – but it doesn't always have to. Some of our best ideas have been simple, based on a clear and deep understanding of our customers' working lives.



## You learn a lot in 180 years

Over the years, Volvo has advanced solutions that have revolutionized the use of construction equipment. No other name speaks Safety louder than Volvo. Protecting operators, those around them and minimizing our environmental impact are traditional values that continue to shape our product design philosophy.

## We're on your side

We back the Volvo brand with the best people. Volvo is truly a global enterprise, one that is on standby to support customers quickly and efficiently – wherever they are.

## We have a passion for performance.



Volvo Trucks

Renault Trucks



Mack Trucks



UD Trucks



Volvo Buses



Volvo Construction Equipment



Volvo Penta



Volvo Financial Services

# The all-rounder

Maximize return on your investment with the Volvo SD45B single drum compactor, designed to boost profitability and ensure low total cost of ownership. The powerful single drum compactor is the complete package, providing superior compaction performance and unrivaled versatility. Designed to compact in confined areas, the SD45B is the best partner for commercial and residential site development, utility installations, driveways and landscaping jobs.

## Designed to climb

Access hard to reach areas of the jobsite with the fully integrated traction system of the SD45B, providing superb climbing capabilities, even in the most demanding applications. The standard full-time system coupled with the NoSPIN® differential limits wheel and/or drum spin, improving safety and productivity on steep inclines or slippery surfaces.



## Power up, costs down

The Volvo Stage V engine delivers high torque at low rpm to ensure superior performance and high fuel efficiency. The automatic idle feature reduces the engine speed to idle when controls are inactive for more than five seconds, cutting fuel consumption. Passive regeneration boosts productivity by automatically cleaning filters without operator input or effect on performance.



## More work, fewer passes

Rely on class-leading drum performance to drive down your operating costs. The SD45B combines high centrifugal force, high amplitude and a heavy drum weight to facilitate excellent compaction, so you can hit target material density in fewer passes. Steer clear from over-compaction thanks to the auto vibration system, which shuts vibration off when the machine is returned to neutral to further enhance ease of operation.



## Volvo puts you in control

Stay safe under the certified ROPS/FOPS canopy, which offers protection without restricting visibility (1m x 1m) all around the machine, enhancing both operator and jobsite safety. All controls are positioned within each operator's zone of comfort and reach from the adjustable seat. Because these controls are found on Volvo's larger single drum models, you can choose from a greater pool of operators.





# VERSATILITY FOR ALL YOUR JOBS

Ensure solid stability across a variety of terrain with the SD45B, providing up to 12° of oscillation and 41° of frame articulation in each direction. The versatile machine maneuvers with ease, even in confined spaces, which makes it the ideal counterpart for trenching operations. Match the exact application and material type with the optional Volvo strike-off blade and padfoot shell kit to optimize performance.



# EFFICIENT FROM THE GROUND-UP

When it comes to maintenance, ease of access is key. That's why the SD45B offers quick and safe serviceability from ground-level. The tilt-able platform and hinged engine hood allow access to all service points and major components. A racetrack decal identifies maintenance needs for fast routine service and minimal maintenance costs.

# Drive costs down

The Volvo SD45B single drum compactor is designed to increase uptime. Thanks to ground-level service access and easy transportability, you can get back to work in no time. Take advantage of our dealer support network to ensure your compactor generates maximum profit and growth for your business.

## Get to work fast

Move around jobsites swiftly and safely with the versatile SD45B. Thanks to its compact size, the compactor can quickly be loaded onto a transport vehicle and complies with safety regulations without removing components. The two-piece, clamp-on padfoot shell kit can be installed or removed in less than an hour and fits any SD45 single drum compactor.



## Here to support you

Make sure your machine retains its renowned Volvo quality with a ready supply of Genuine Volvo Parts, available from your local Volvo dealer. With our extensive dealer coverage and factory trained technicians, we have a comprehensive network to fully support you using local knowledge and global experience.



## Never stop improving

With MATRIS, your Volvo dealer can help identify improvement areas by analyzing your machine's operational data. Reduce maintenance costs, increase service life and optimize your operations with the Volvo patented diagnostic software.



## Control service costs

We can help support the profitability of your operation with a range of Customer Support Agreements and solutions that offer preventive maintenance, total repairs and a number of uptime services. Volvo uses the latest technology to monitor machine operation and status, giving you the advice you need to maximize machine uptime.



# Small in size, big in performance

## VERSATILITY FOR ALL YOUR JOBS

Whether operating in confined spaces or across difficult terrain, the SD45B provides solid stability and versatility.

### Designed to climb

Volvo's standard full-time traction system, coupled with the NoSPIN® differential provides excellent performance.

### Power up, costs down

Boost productivity without compromising costs with the Volvo engine, featuring automatic idling and passive regeneration.

### More work, fewer passes

Achieve density in fewer passes with high centrifugal force, high amplitude and heavy drum weight.

### Get to work fast

Swiftly move around jobsites in the transportable SD45B and convert the drum from smooth to padfoot in less than an hour.







**Volvo puts you in control**

Reduce fatigue with all-around visibility, the adjustable seat and easy-to-reach controls.

**EFFICIENT FROM THE GROUND-UP**

Optimize service efficiency with the hinged engine hood and tilt able operator's platform for swift ground-level access.

**Here to support you**

Ensure your machine retains its performance with Genuine Volvo Parts, available at your local Volvo dealer.

**Control service costs**

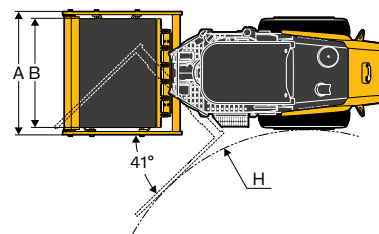
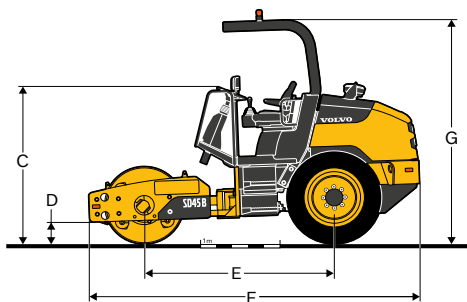
Customer Support Agreements offer preventative maintenance, total repairs and uptime services to reduce costs.

**Never stop improving**

Reduce maintenance costs, increase service life and optimize your operations with Volvo's diagnostic software, MATRIS.

# Volvo SD45B in detail

Model		SD45B	
		Smooth	Padfoot
<b>Machine Weights (inc. cab and inside scraper)</b>			
Operating Weight (CECE)	kg	4 948	5 288
Static Weight @ Drum	kg	2 449	2 789
Static Weight @ Tyres	kg	2 497	2 497
Shipping Weight	kg	4 854	5 197
<b>Drum</b>			
Width	mm	1 372	1 372
Diameter	mm	1 001	1 001
Shell Thickness	mm	20	20
Diameter Over Pad Feet	mm	-	1 153
Pad Feet	number of	-	63
Pad Height	mm	-	73
Pad Tip Area	cm <sup>2</sup>	-	75.88
<b>Vibration</b>			
Frequency	Hz	30.8/27.5	30.8/27.5
Centrifugal Force	High Freq	kN	93
	Low Freq	kN	75
Nominal Amplitude	High Freq	mm	1.99
	Low Freq	mm	1.71
<b>Propulsion</b>			
Type	Hydrostatic, single speed motor on planetary axle with flow divider and LSHT motor for drum drive		
Tyre	12.4-28 8PR		12.4-24 8PR R1
Drum Drive	Low speed high torque motor		
<b>Travel Speed</b>			
Speed	High	km/h	0-9.1
<b>Engine</b>			
Make / Model	Volvo D3.3H		
Engine Type	4 cylinders, direct injection, turbocharged, cooled EGR		
Rated Power @ 2 200 r/min	kW	55	55
<b>Electrical System</b>			
Voltage (Negative ground)	Volt	12	
Alternator	A	90	
Batteries	CCA	750	
<b>Brakes</b>			
Service	Hydrostatic		
Parking / Secondary	Spring Applied, Hydraulically released on axle		
<b>Miscellaneous</b>			
Articulation Angle	°	41	
Oscillation Angle	°	12	
Fuel Capacity	l	101.3	101.3
Hydraulic Oil Capacity	l	96.1	96.1
Gradeability (theoretical)	%	45	41.1
<b>Guaranteed Sound Level</b>			
Operator's Ear, acc. to ISO 11203:2009	L <sub>pA</sub> dB	86	
External, acc. to Directive 2000/14/EC	L <sub>WA</sub> dB	105	



## DIMENSIONS

	Unit	SD45B	
		Smooth drum	Padfoot drum
A	mm	1 550	1 550
B	mm	1 372	1 372
C	mm	1 995	2 080
D	mm	305	368
E	mm	2 400	2 400
F	mm	4 181	4 181
G	mm	2 830	2 919
H	mm	2 569	2 569

# Equipment

## STANDARD EQUIPMENT

Traction control
Auto-vibration
Volvo standard ROPS
Variable frequency*
Full suspension seat
Tilttable cab for service
Retracting seat belt
Seat belt alarm
Operator presence switch
External lockable fuel fill
Tilttable and extendable steering wheel
Back-up alarm
Daily service checkpoints list
12 Volt power port
Drum isolation
High ground clearance
Integrated parking brake
Parking brake test function
Wrap-around handrails
Two stage air intake filter
Ballasted tires for stability
Heavy-duty frame
Engine fan guard
Operator platform isolation
Smooth drum
Fuel strainer
Drum scraper
Glow plugs
ECO mode*
Audible alarm

\*Standard on all machines except those equipped with blade

## OPTIONAL EQUIPMENT

Inside scraper
Padfoot drum
Bolt-on padfoot shell kit
Premium bumper
Work lights
Rotating beacon
Vandal cover
First aid mounting
Steering wheel - spinner kit
Tires - Diamond tread
Tires - Traction tread
Tow valve
Special paint
Bio-degradable oil
Leveling blade
Lifetime frame guarantee
Air intake precleaner
Hydraulic test ports

## SELECTION OF VOLVO OPTIONAL EQUIPMENT

**Clamp-on padfoot shell**



**Strike-off blade**



**Inside drum scraper**



**Work lights**



**Rotating beacon**



Not all products are available in all markets. Under our policy of continuous improvement, we reserve the right to change specifications and design without prior notice. The illustrations do not necessarily show the standard version of the machine.



**VOLVO**

Volvo Construction Equipment  
volvoce.com